



## GENUINE PARTS

### INSTALLATION INSTRUCTIONS

**DESCRIPTION:** Rear Bumper Protector

**APPLICATION:** Rogue

**PART NUMBER:** 999T6 G2000

**KIT CONTENTS:**

Item	Qty.	Part Description	Service Part Number
A	1	Rear Bumper Protector	---
B	2	Spacers	---
C	1	Installation Instruction Replacement Template	---
D	2	90% Alcohol Prep Pads	---

**TOOLS REQUIRED:**

- Clean, Lint-Free Wiping Cloth
- Masking Tape

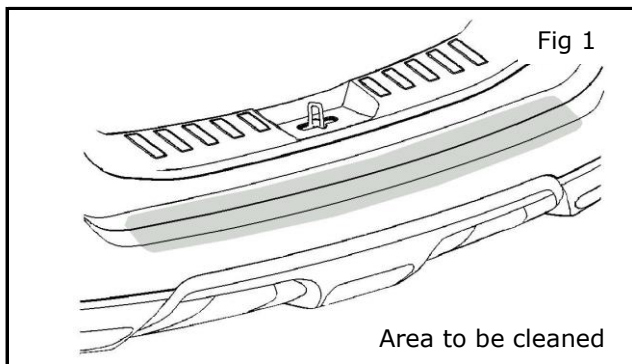
**PRE-INSTALLATION WARNINGS, CAUTIONS, CRITICAL STEPS, and NOTES:**

- Dealer Installation Recommended. Instructions may refer to Service Manual.

### CAUTION

- Install the rear bumper protector only when the part & vehicle temperature are between 60°F - 110°F (16°C - 43°C).
- Do not wash or expose the vehicle to a wet environment for 24 hours after installing the bumper protector.

**INSTALLATION PROCEDURE:**

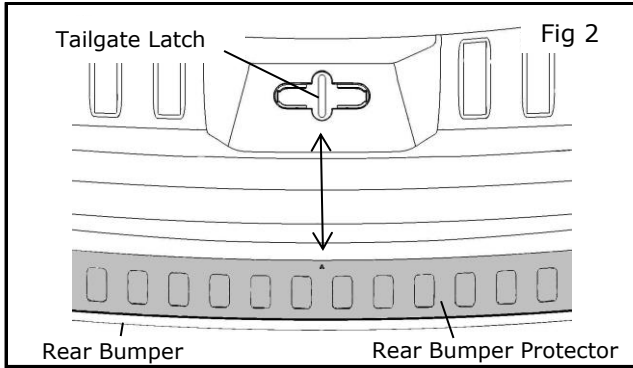


- 1) Clean vehicle area thoroughly with soap and water to remove any dirt or debris and allow to dry.
- 2) Bumper protector installation prep.
  - a) Open rear hatch.
  - b) Using a clean lint-free cloth and 90% Isopropyl Alcohol prep pads, clean area of rear bumper where part will be installed.
  - c) Allow time to dry thoroughly. (Fig 1)

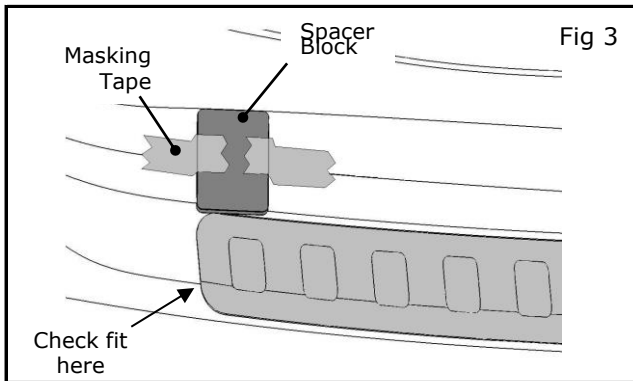
### CAUTION

Failure to clean the mounting surface properly may cause the adhesive tape to have poor adhesion to the vehicle.

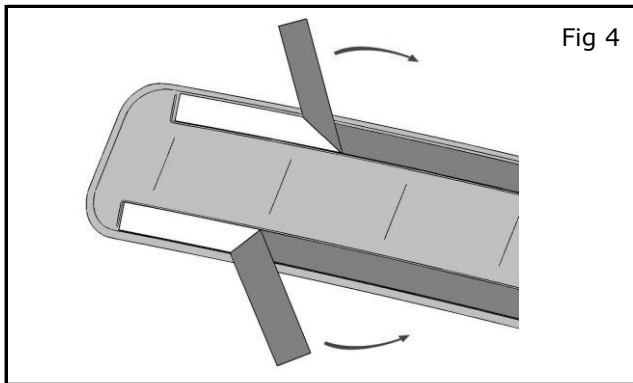
## INSTALLATION PROCEDURE:



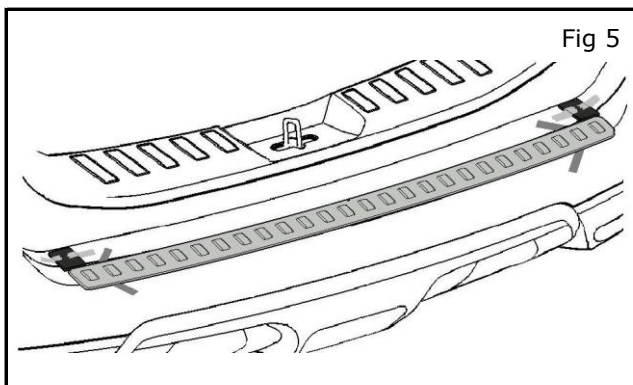
- 3) Dry fit the bumper protector on the vehicle by aligning the bumper protector centering arrow with the tailgate latch. (Fig 2)



- 4) Position spacer block in alignment with edge of protector on both sides of vehicle. Spacer block should fit tight between part and bumper. (Fig 3)
- 5) Peel back protective film near the spacer blocks.
- 6) Secure spacer block to the bumper with masking tape. (Fig 3)
- 7) Check the fore/aft alignment of the bumper protector to the curvature of the bumper for consistent gap. (Fig 3)

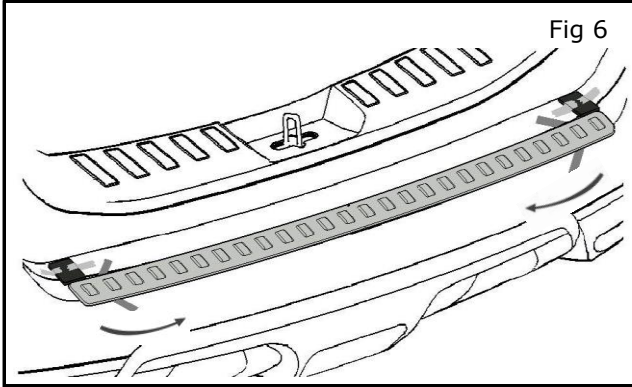


- 8) Prepare tape. (Fig 4)
  - a) Remove part.
  - b) Peel back approximately 30mm on all tape liners.
  - c) Fold back all liners.



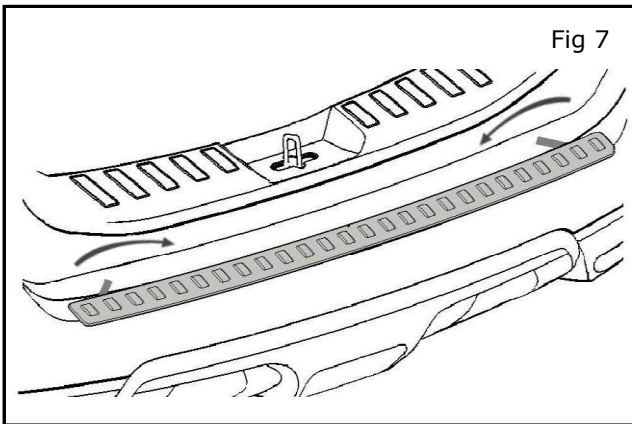
- 9) Re-align part to vehicle and lightly tack the bumper protector to the vehicle. (Fig 5)
- 10) Confirm center arrow alignment to vehicle and tight fit to spacers. If necessary, un-tack bumper protector and repeat. (Fig 5)

**INSTALLATION PROCEDURE:**



11) While holding the part in position, with one hand at the center arrow, remove the rear tape liners. (Fig 6)

12) Using a clean lint-free cloth, start at the center and apply 15 lbs/in<sup>2</sup> of pressure along the tape path.



13) Remove spacer blocks.

14) Remove front tape liners. (Fig 7)

15) Using a clean lint-free cloth, start at the center and apply 15 lbs/in<sup>2</sup> of pressure along the tape path.

**NOTE:**

**To ensure adequate adhesion, re-apply 15 lbs/in<sup>2</sup> of pressure across the entire part.**

16) Remove protective film from part.

17) Close rear hatch.

18) Do not expose vehicle to moisture for 24 hours.

19) Gap to fascia around protector should match limit shown. (Fig 8)

