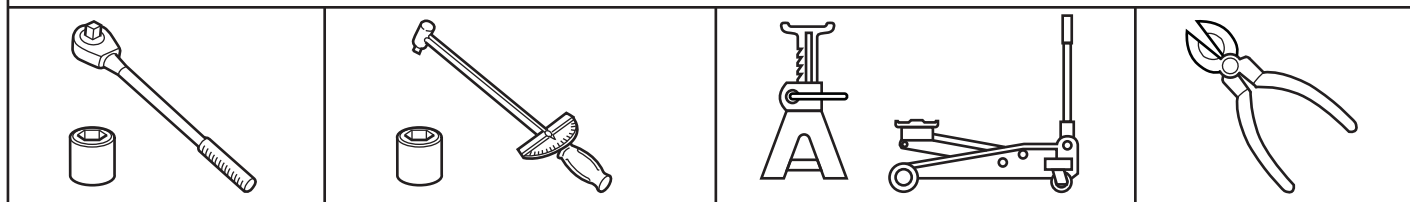
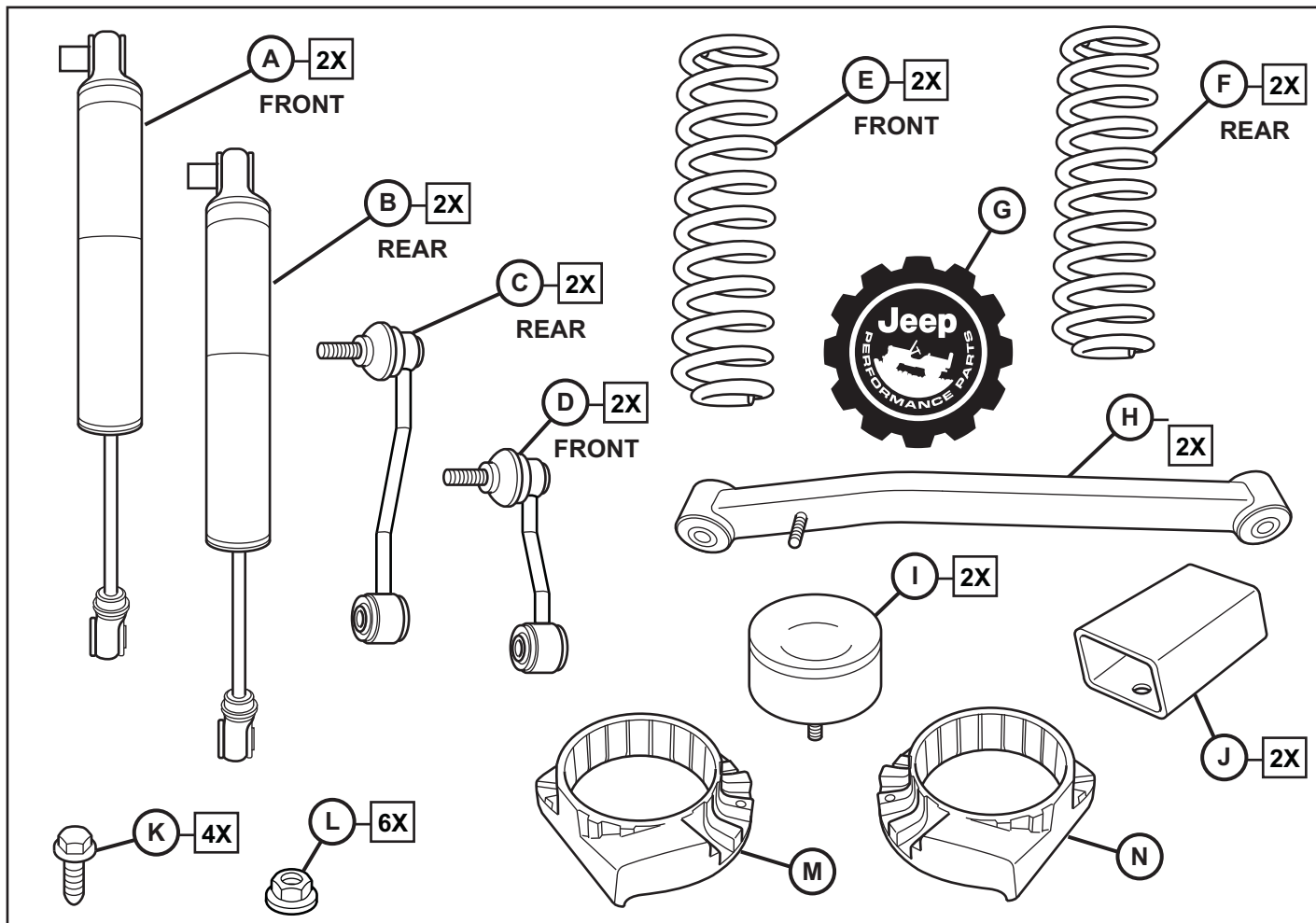




2" LIFT KIT JEEP WRANGLER

www.mopar.com



IMPORTANT:

Prior to beginning, inspect the vehicles steering, driveline, and brake systems, paying close attention to the suspension link arms and bushings, stabilizer bars and bushings, tie rod ends, pitman arm, ball joints and wheel bearings.

Also check the steering sector-to-frame and all suspension-to-frame attaching points for stress cracks.

The overall vehicle must be in excellent working condition. Repair or replace all worn parts.

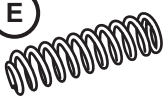

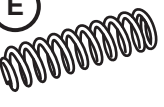


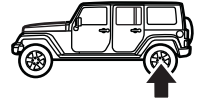





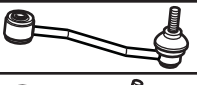


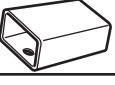
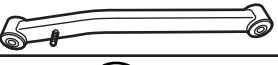





Read instructions several times before starting.

Be sure you have all needed parts and know where they install. Read each step completely as you go.

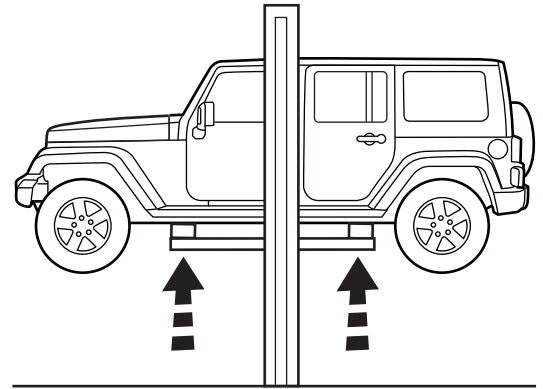
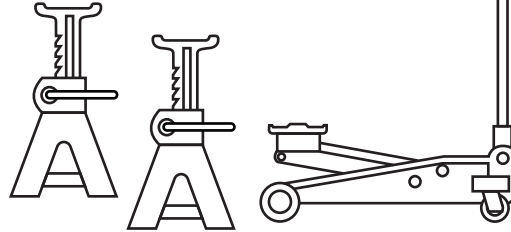
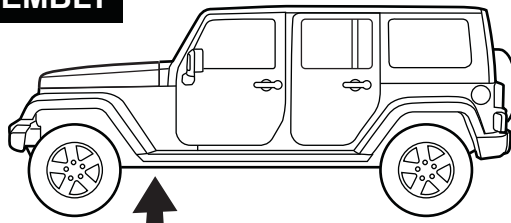
RETAIN ALL FASTENERS FOR LATER REINSTALLATION.

1

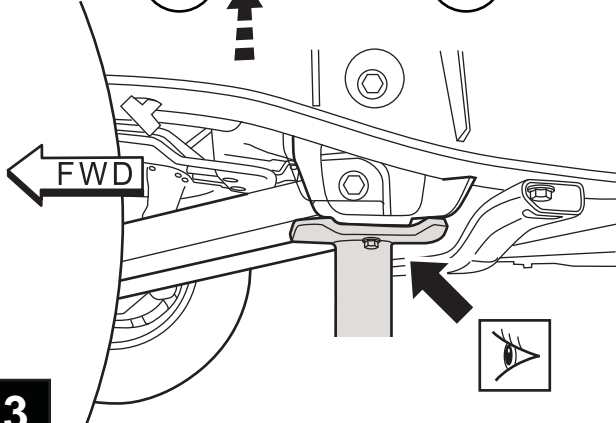
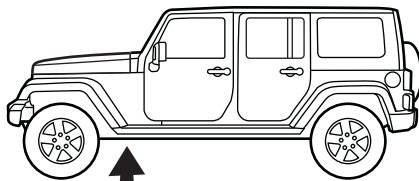
PART REFERENCE

| DESCRIPTION | PART NO. | LIFT KIT: | | | | | |
|--|------------|---------------|----------|-----------|----------|----------|----------|
| | | 3.6L | 2.0L | 2.0L PHEV | 3.6L | 2.0L | 3.0L |
| | | 4 DOOR | | | 2 DOOR | | 4 DOOR |
| | | 77072395 | 77072430 | 77072522 | 77072396 | 77072397 | 77072399 |
| (E)   | 68414065AA | 1 - LF | | | | | |
| | 68414069AA | | | | 1 - LF | | |
| | 68437793AA | | | 1 - LF | | | |
| | 68488666AA | | | | | | 1 - LF |
| (E)   | 68414067AA | 1 - RF | | | | | |
| | 68414071AA | | | | 1 - RF | | |
| | 68437794AA | | | 1 - RF | | | |
| | 68488667AA | | | | | | 1 - RF |
| (F)   | 68414066AA | 1 - LR | 1 - LR | | | | |
| | 68414070AA | | | | 1 - LR | 1 - LR | |
| | 68437795AA | | | 1 - LR | | | |
| | 68488668AA | | | | | | 1 - LR |
| (F)   | 68414068AA | 1 - RR | 1 - RR | | | | |
| | 68414072AA | | | | 1 - RR | 1 - RR | |
| | 68437796AA | | | 1 - RR | | | |
| | 68488675AA | | | | | | 1 - RR |
| (E)  | 68414067AA | | 2 | | | | |
| | 68414069AA | | | | | 2 | |
| (A)  | 68316572AC | 2 | 2 | | | | |
| | 68523910AA | | | 2 | | | |
| | 68316570AC | | | | 2 | 2 | |
| | 68316574AC | | | | | | 2 |
| (B)  | 68316582AC | 2 | 2 | | | | |
| | 68523916AA | | | 2 | | | |
| | 68316580AC | | | | 2 | 2 | |
| | 68316584AC | | | | | | 2 |
| (C)  | 68306982AA | 2 | 2 | 2 | 2 | 2 | 2 |
| (D)  | 68306981AA | 2 | 2 | 2 | 2 | 2 | 2 |
| (I)  | 68501831AA | 2 | 2 | 2 | 2 | 2 | 2 |
| (J)  | 68323933AA | 2 | 2 | 2 | 2 | 2 | 2 |
| (H)  | 68322798AA | 2 | 2 | 2 | 2 | 2 | 2 |
| (L)  | 6101695 | 6 | 6 | 6 | 6 | 6 | 6 |
| (K)  | 05143356AC | 4 | 4 | 4 | 4 | 4 | 4 |
| (G)  | 82215764 | 1 | 1 | 1 | 1 | 1 | 1 |
| (M)  | 68427380AA | 1 | 1 | 1 | 1 | 1 | 1 |
| (N)  | 68342250AC | 1 | 1 | 1 | 1 | 1 | 1 |

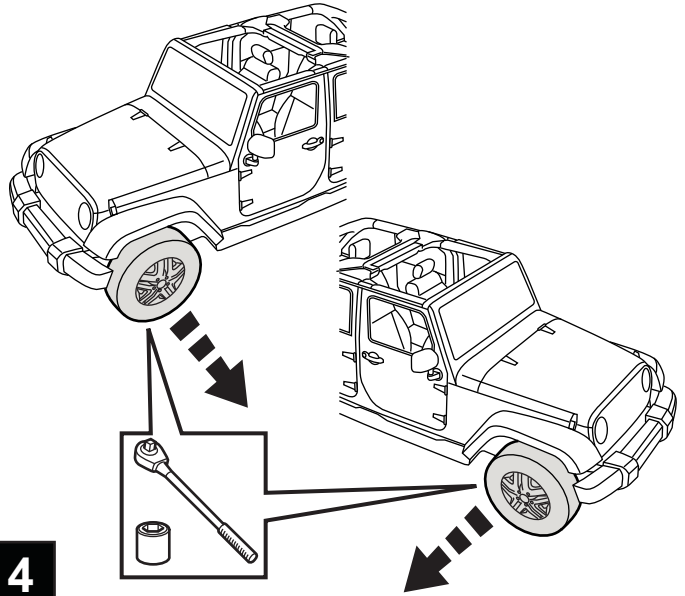
FRONT DISASSEMBLY



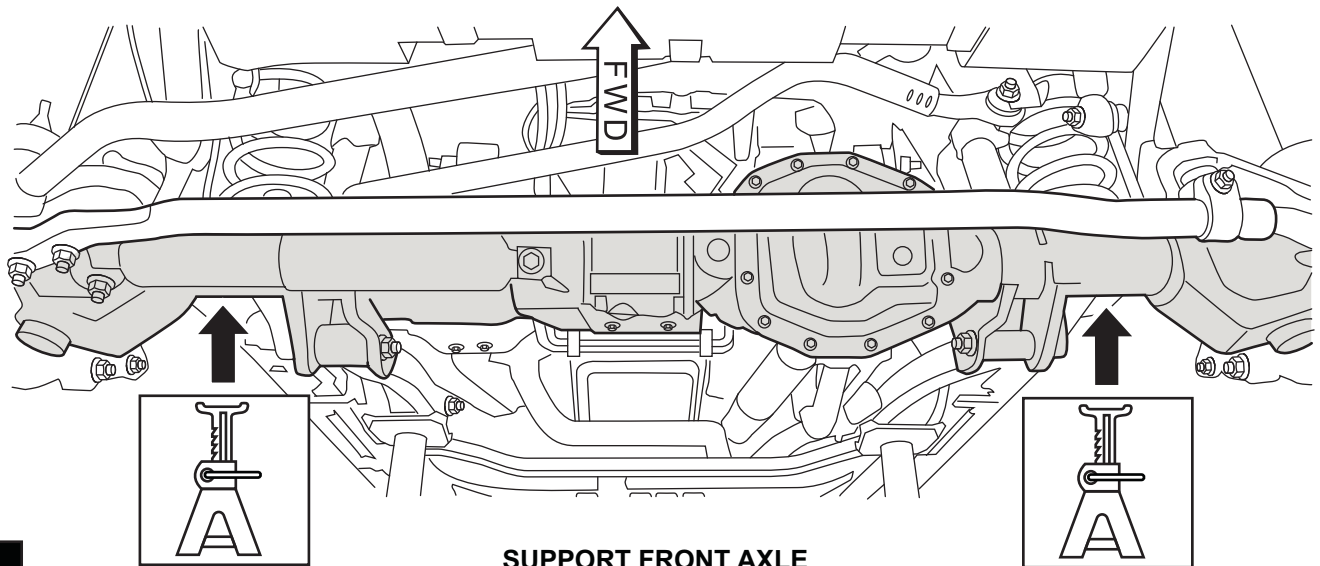
2



3

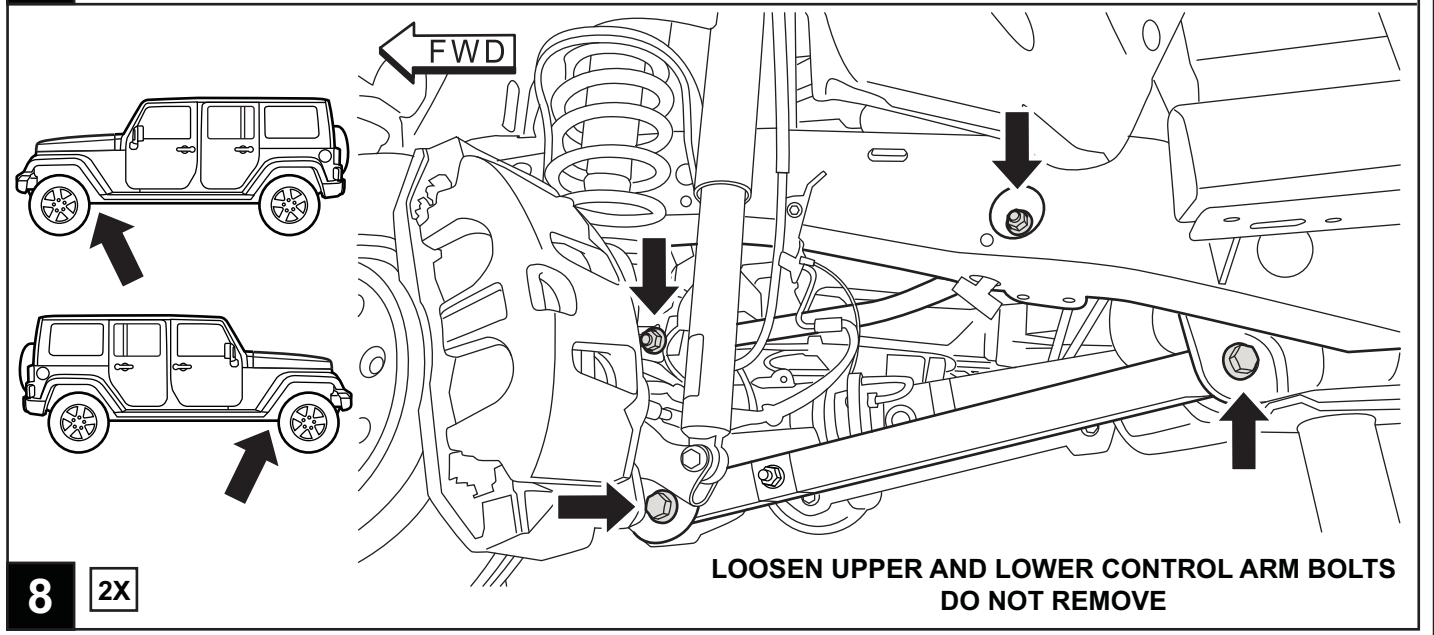
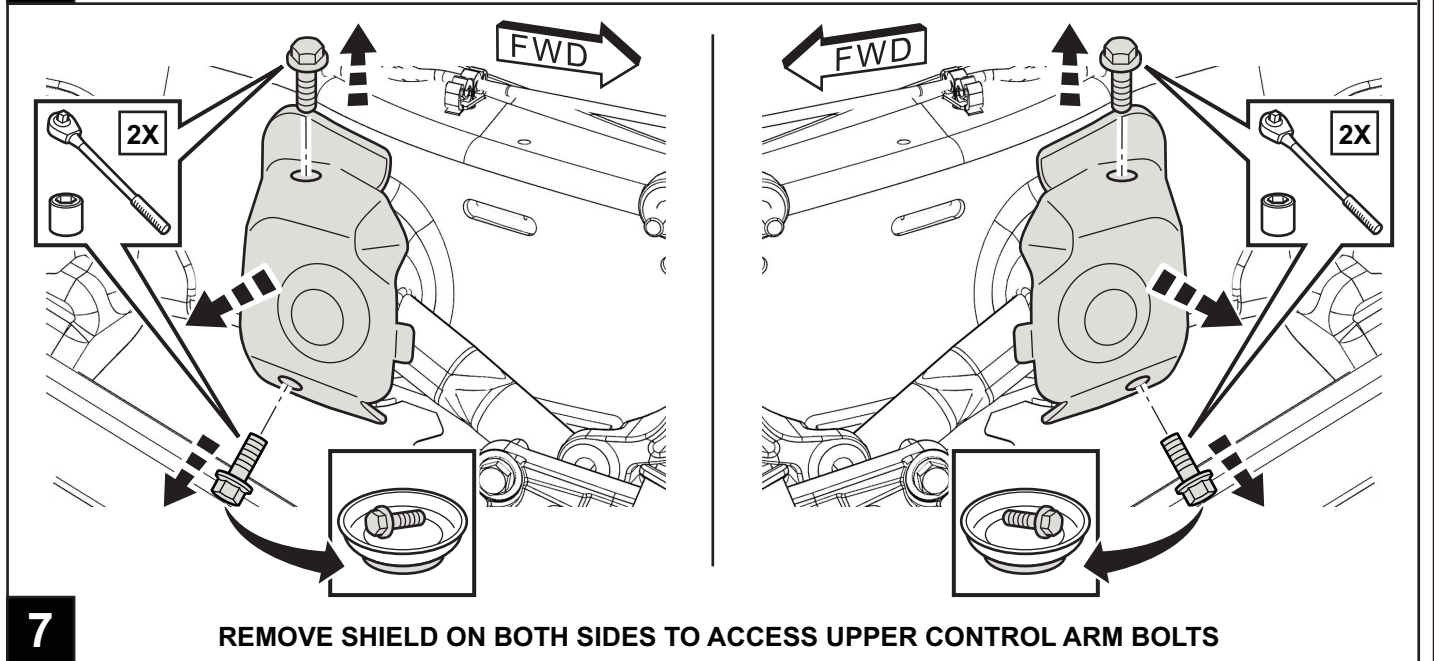
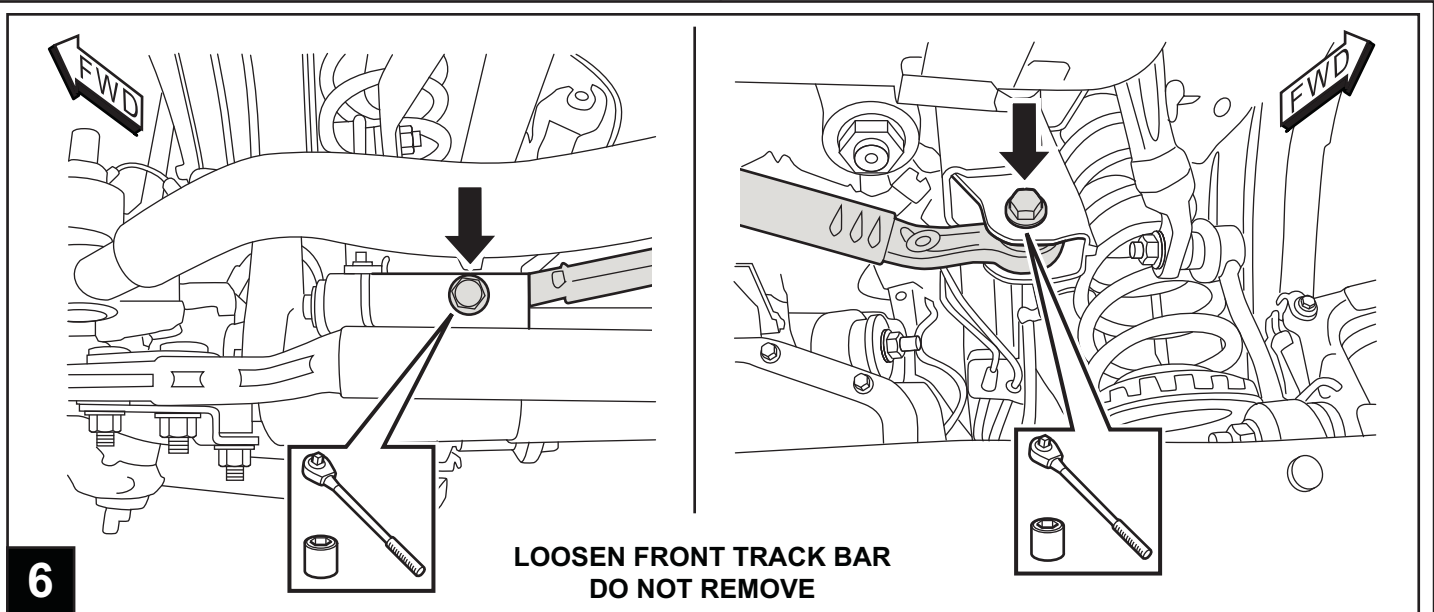


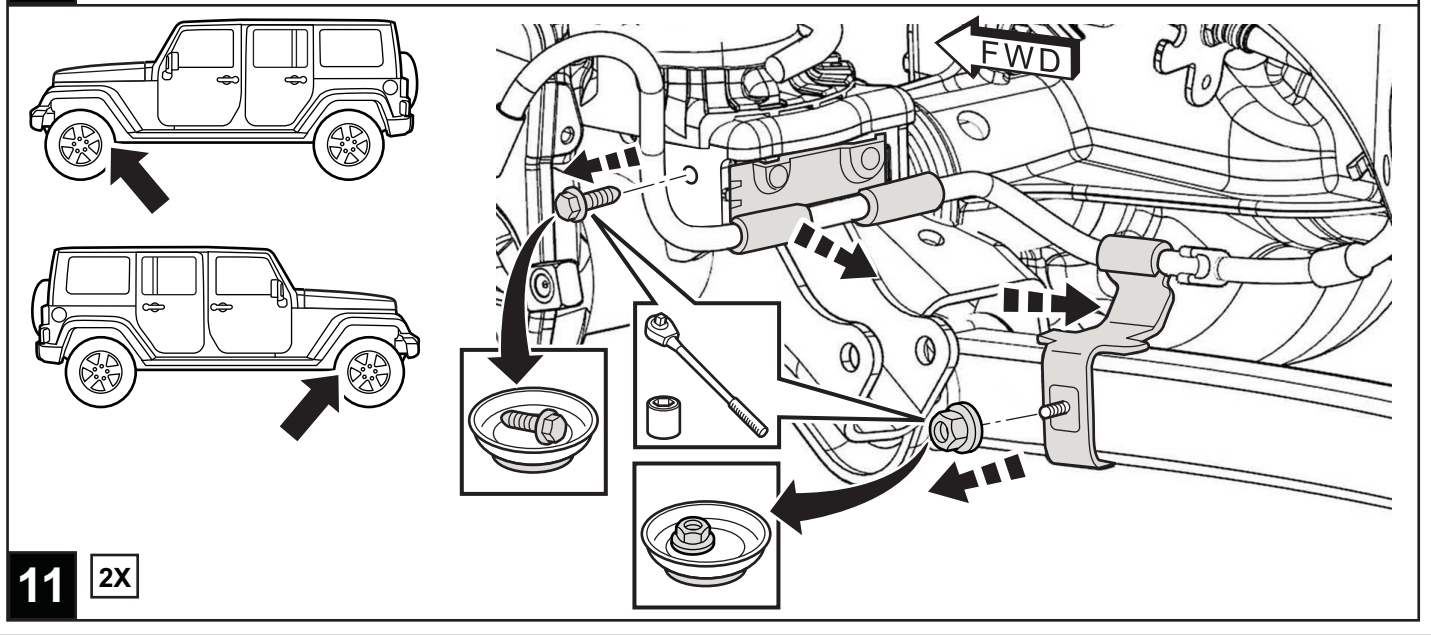
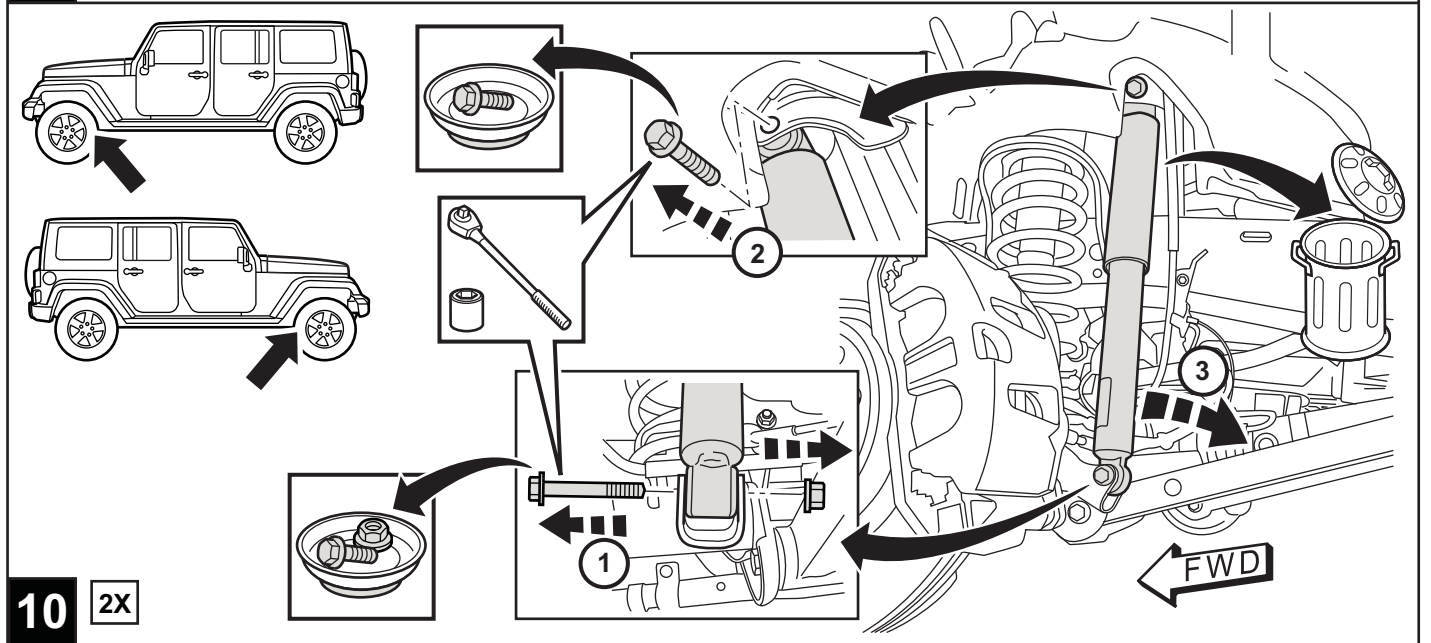
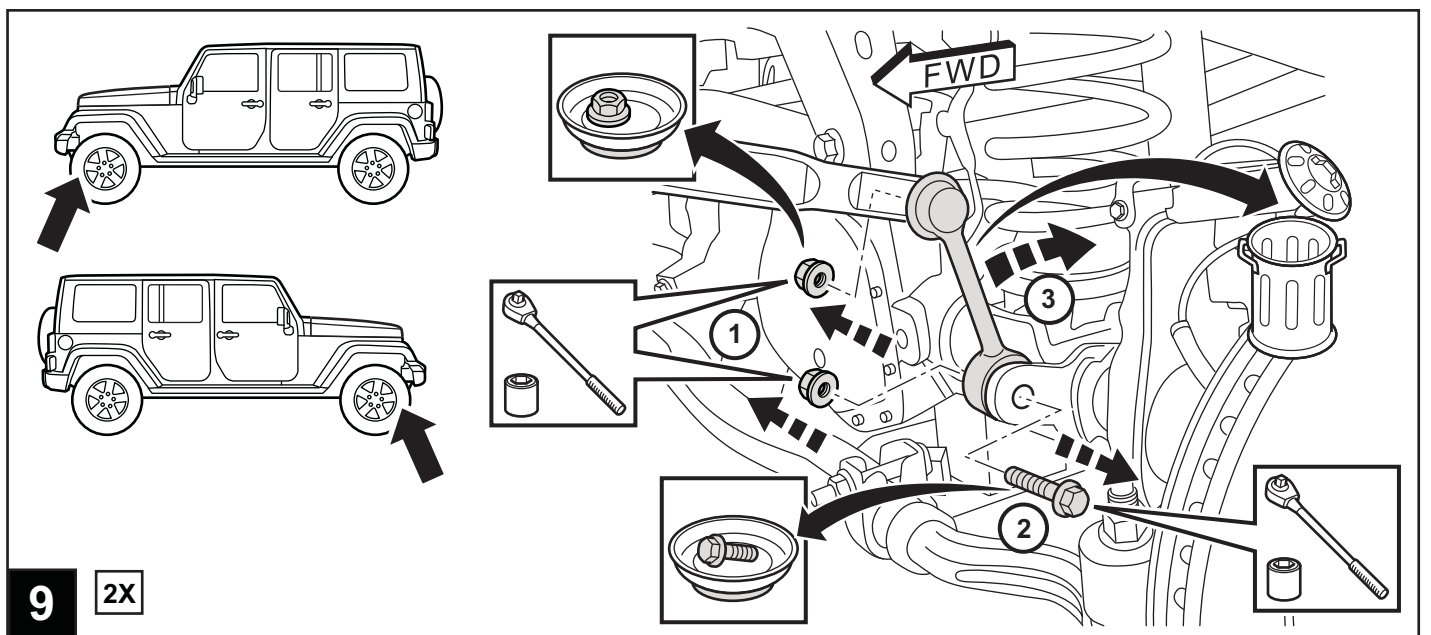
4

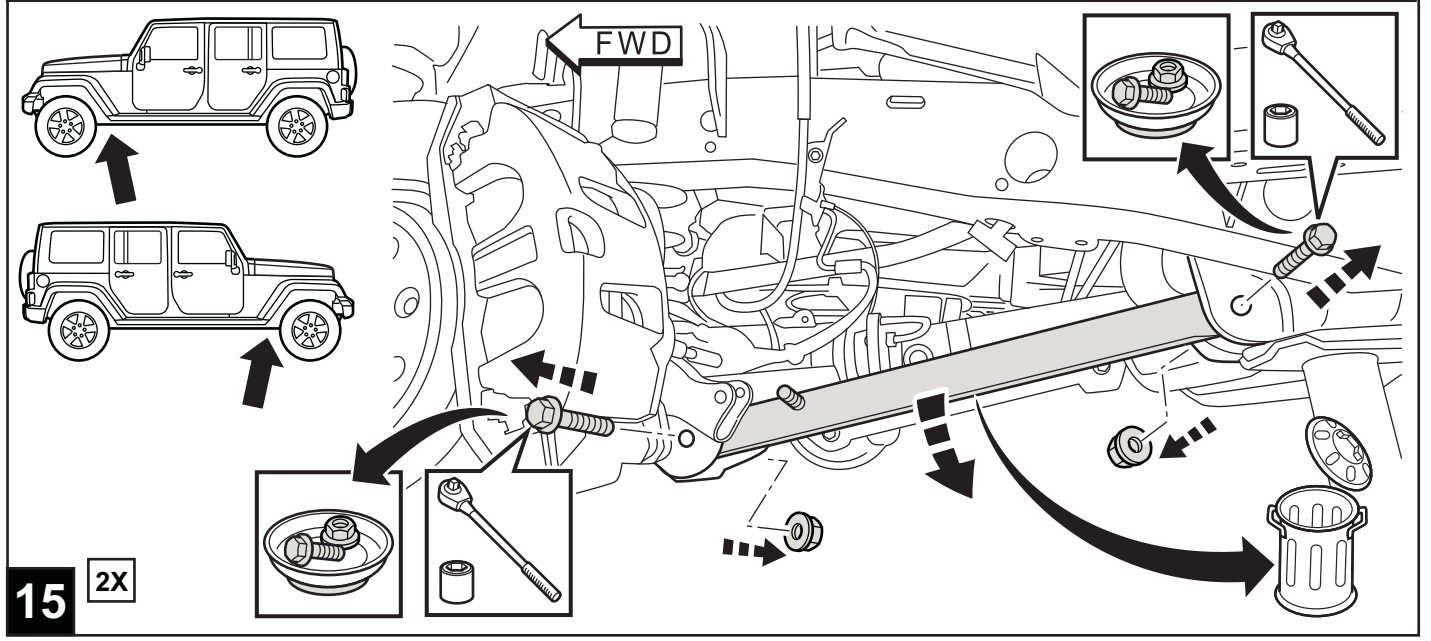
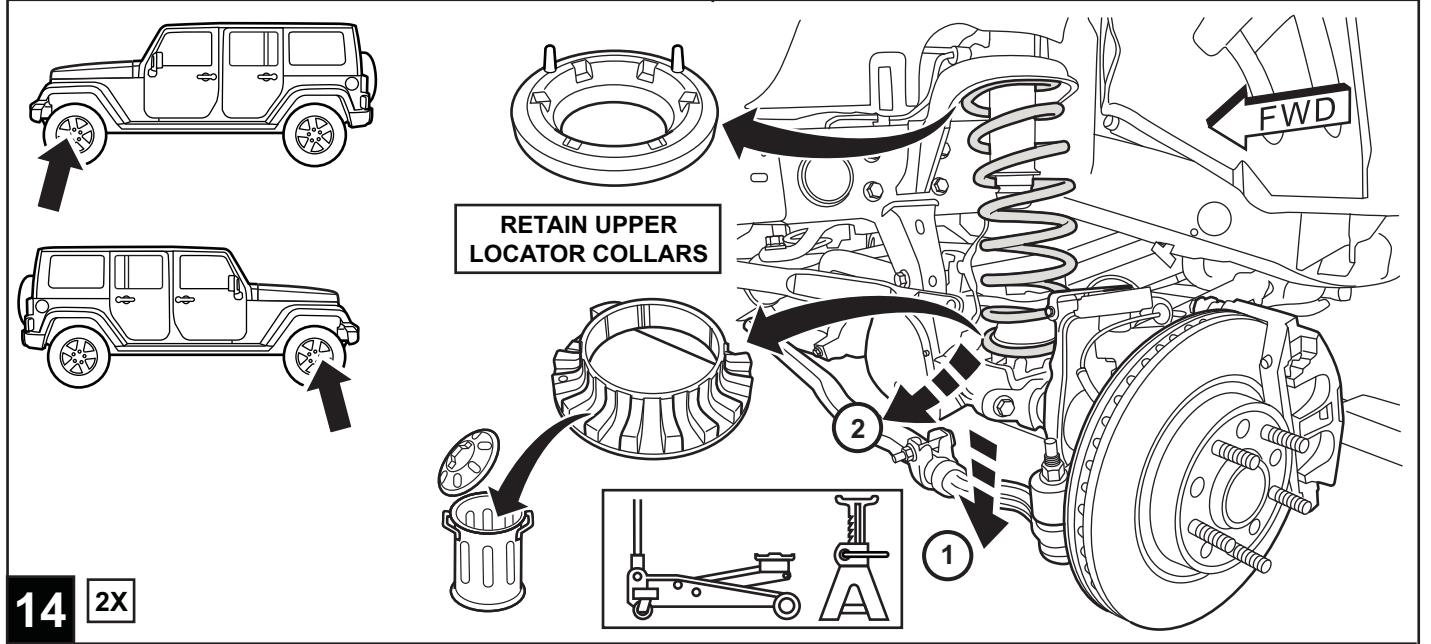
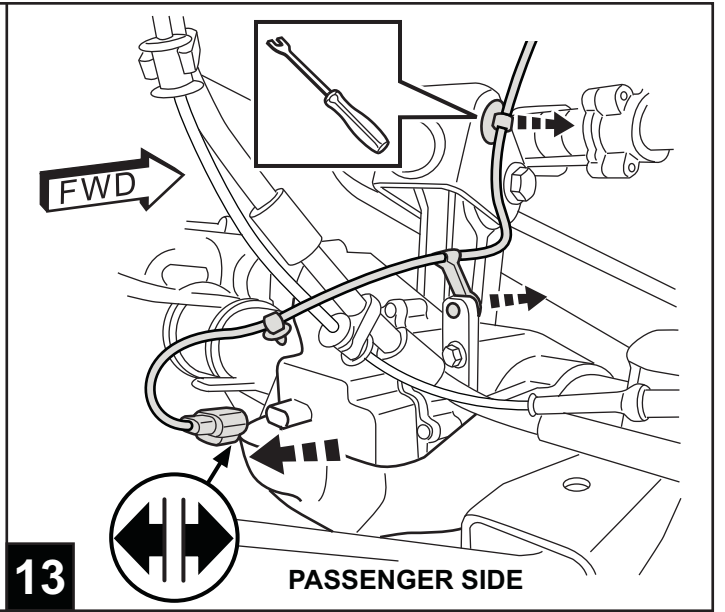
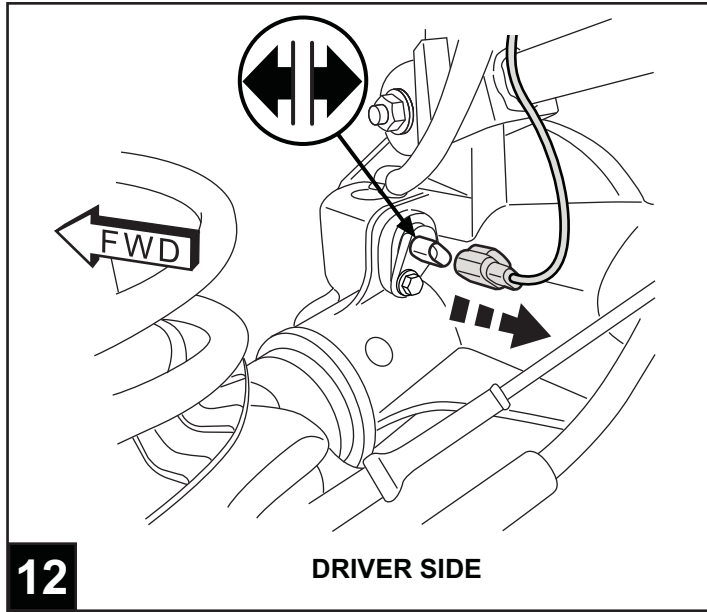


5

SUPPORT FRONT AXLE





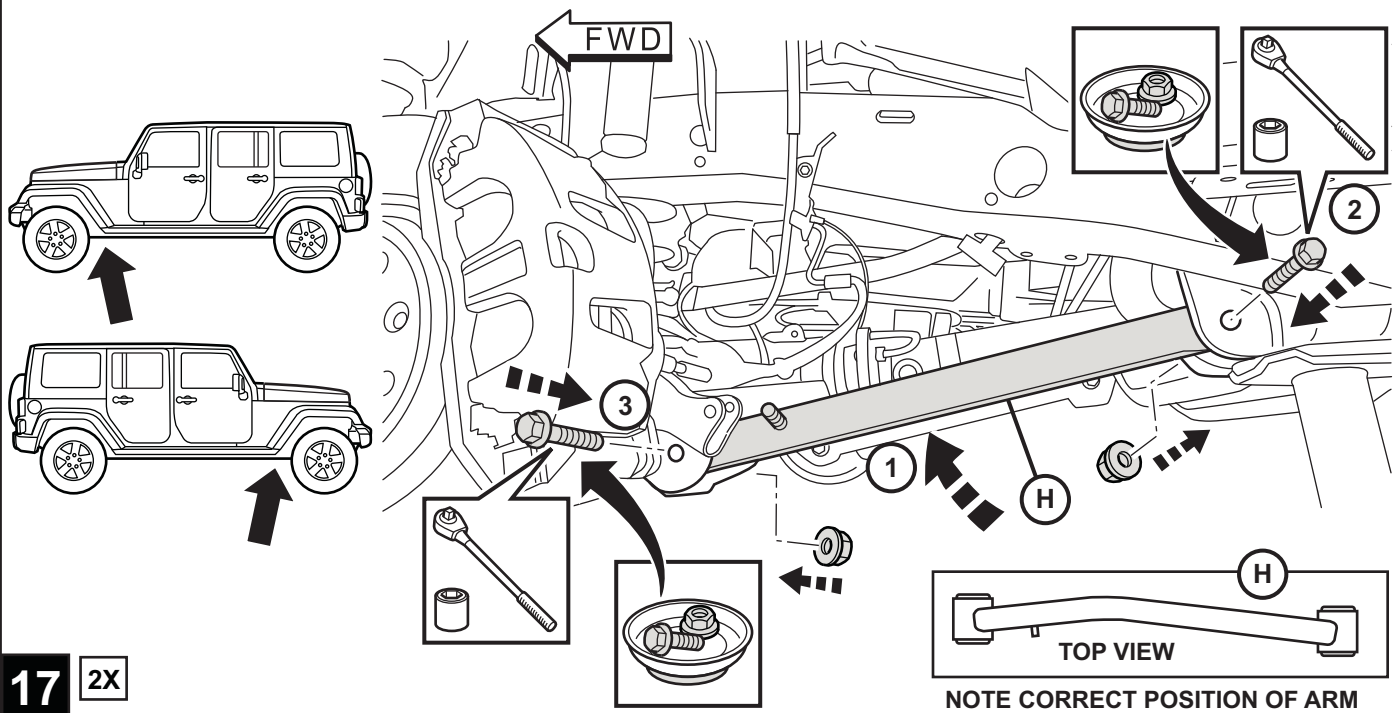


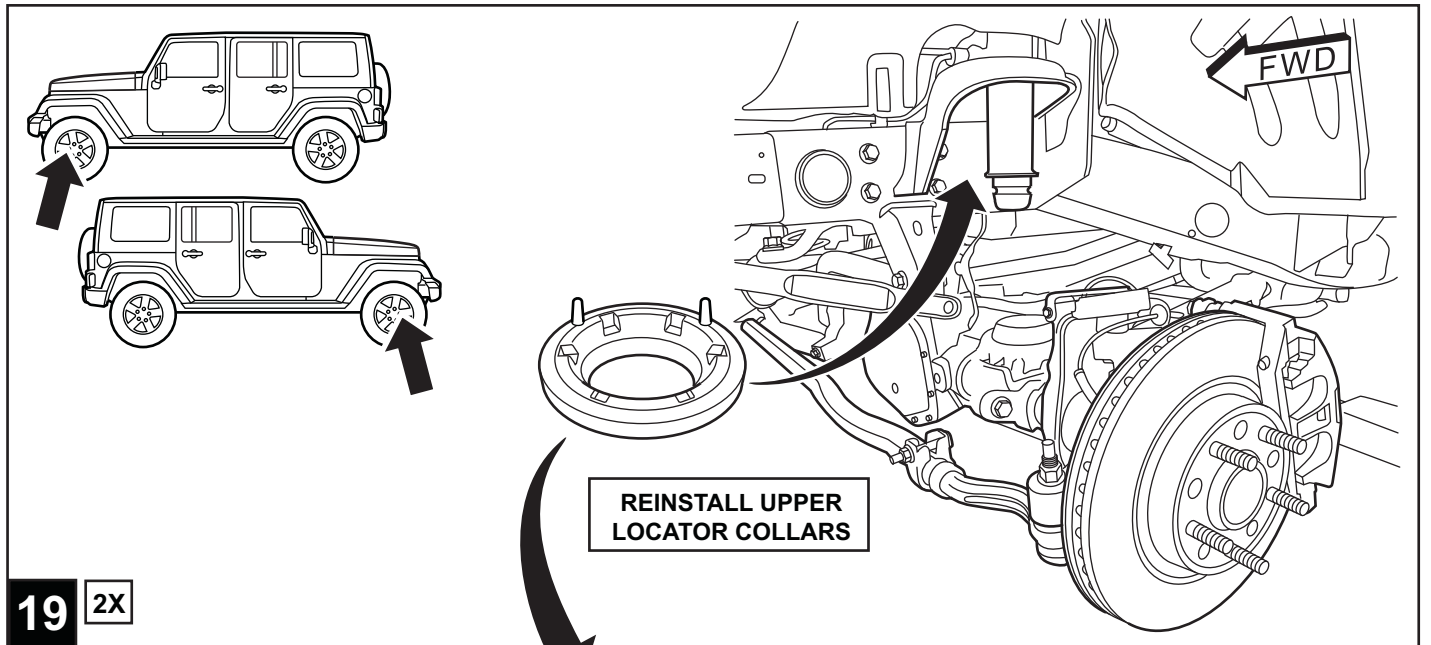
FRONT ASSEMBLY

NOTE:

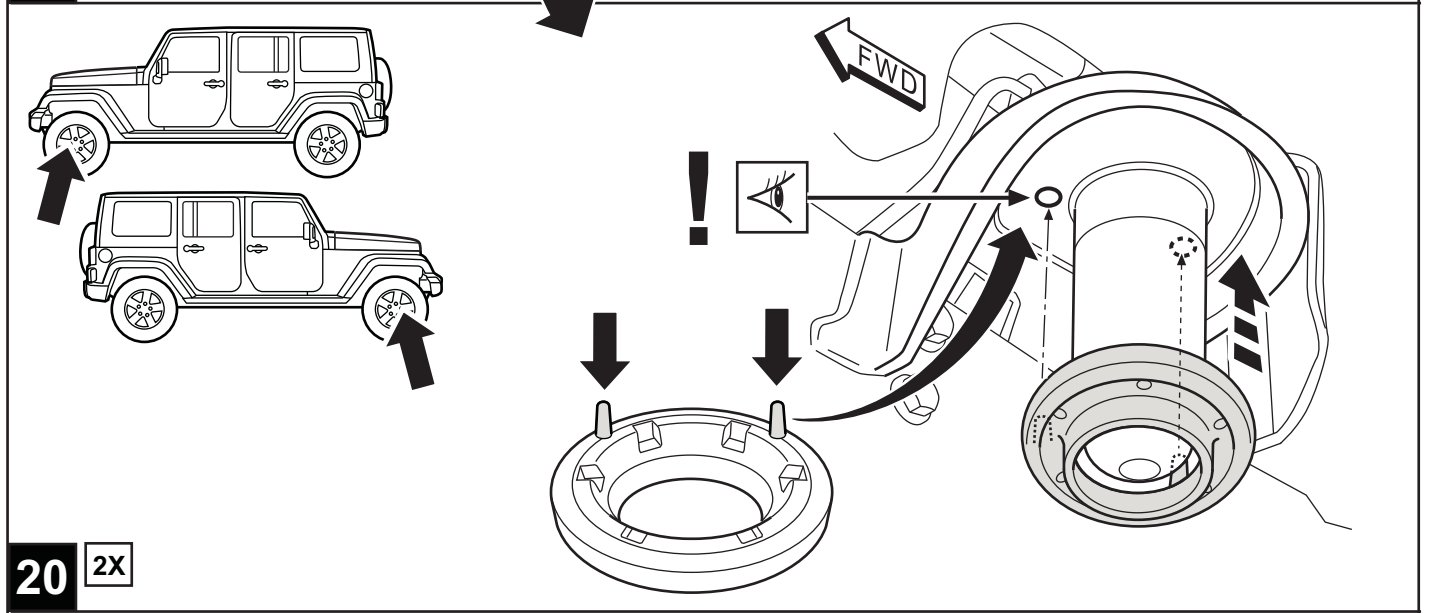
INSTALL NEW KIT COMPONENTS AS SHOWN IN THE FOLLOWING STEPS, BUT DO NOT FULLY TIGHTEN FASTENERS UNTIL INSTRUCTED TO DO SO.

16

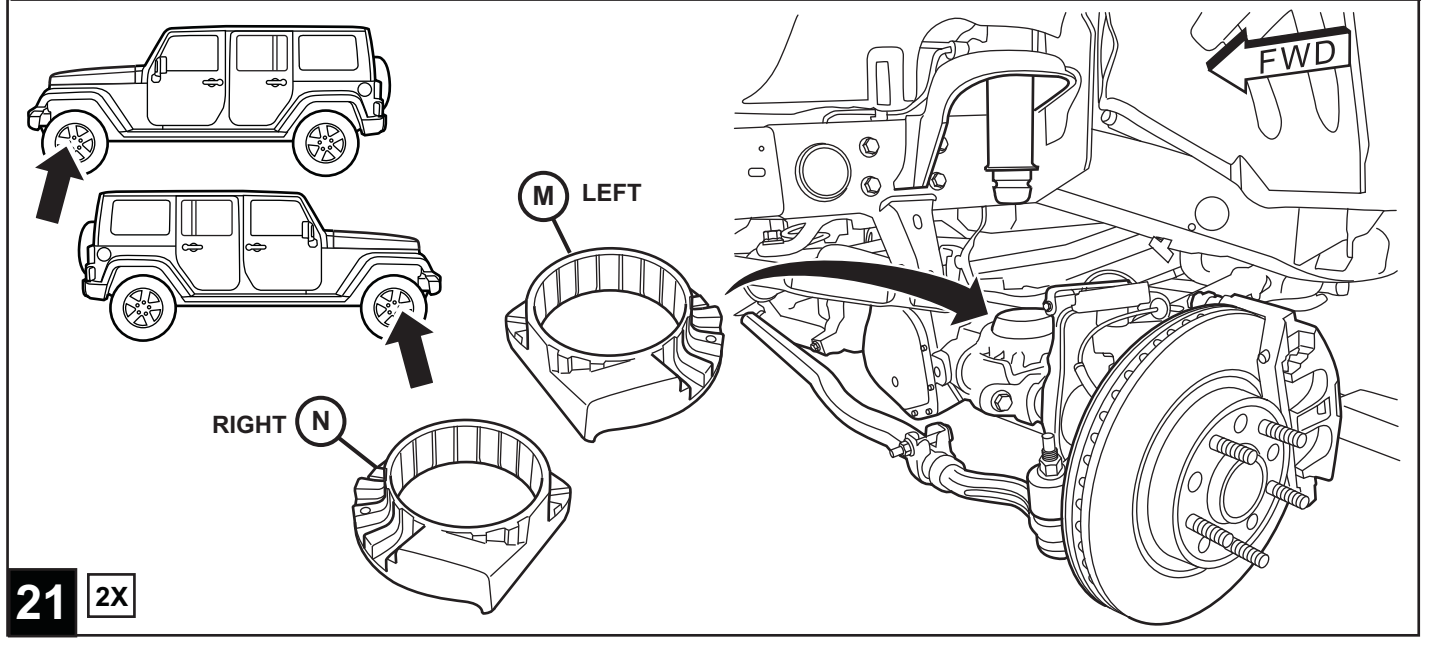




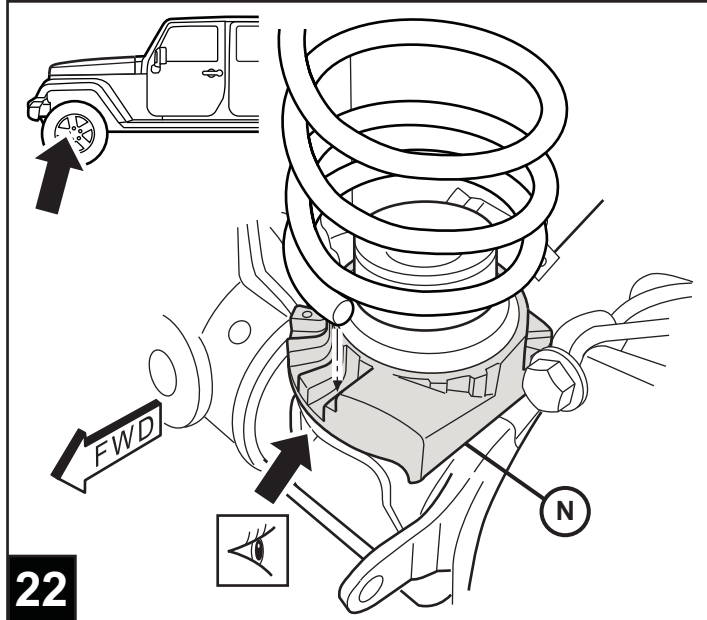
19 2X



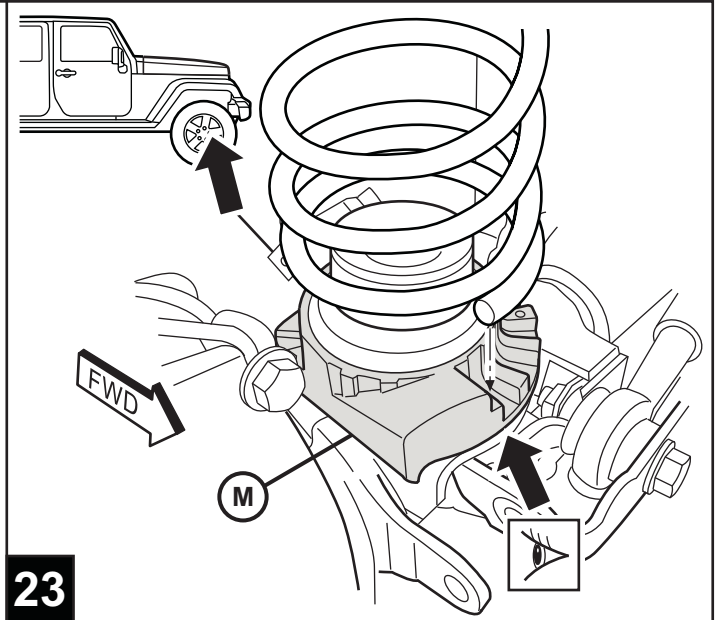
20 2X



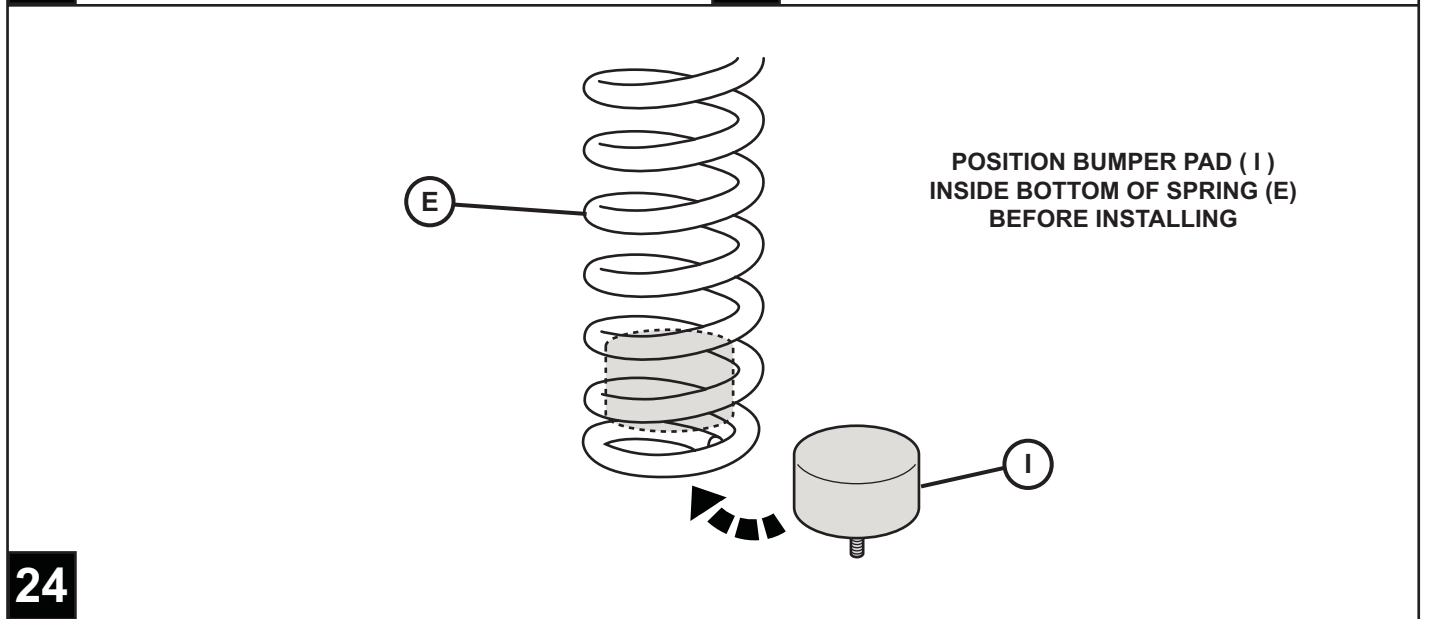
21 2X



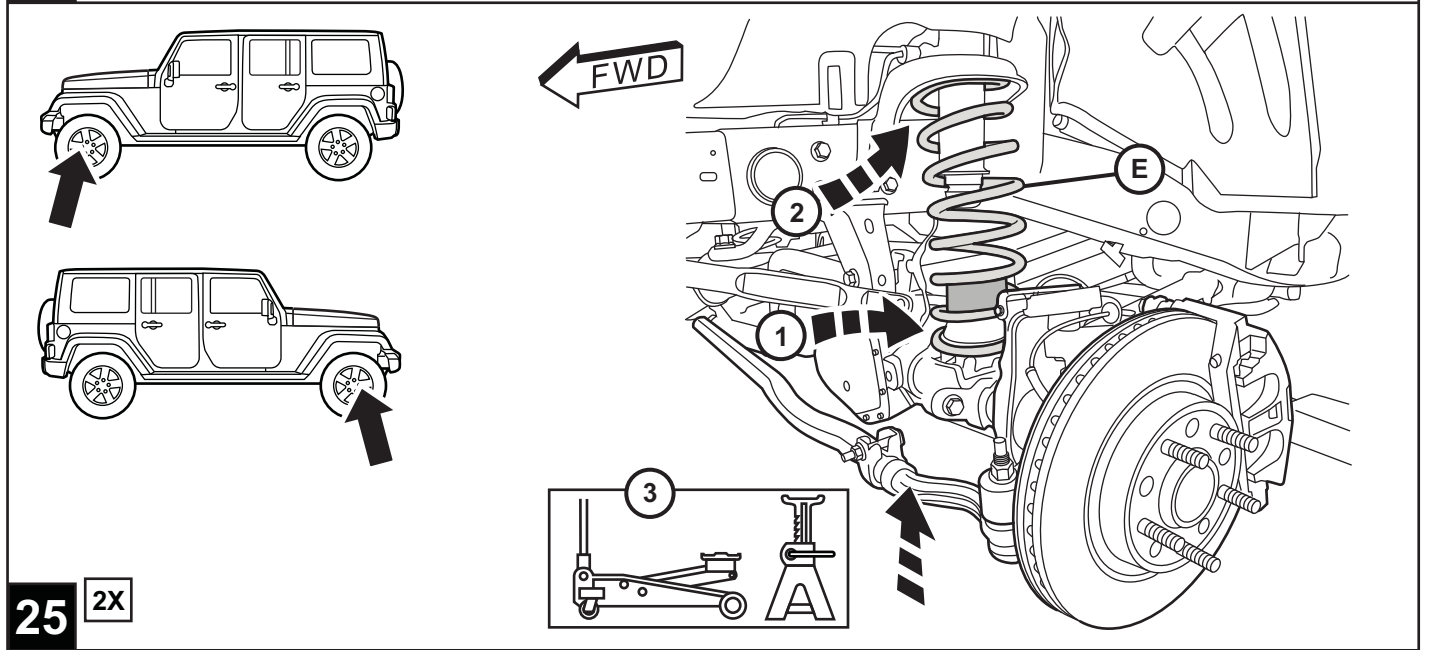
22



23

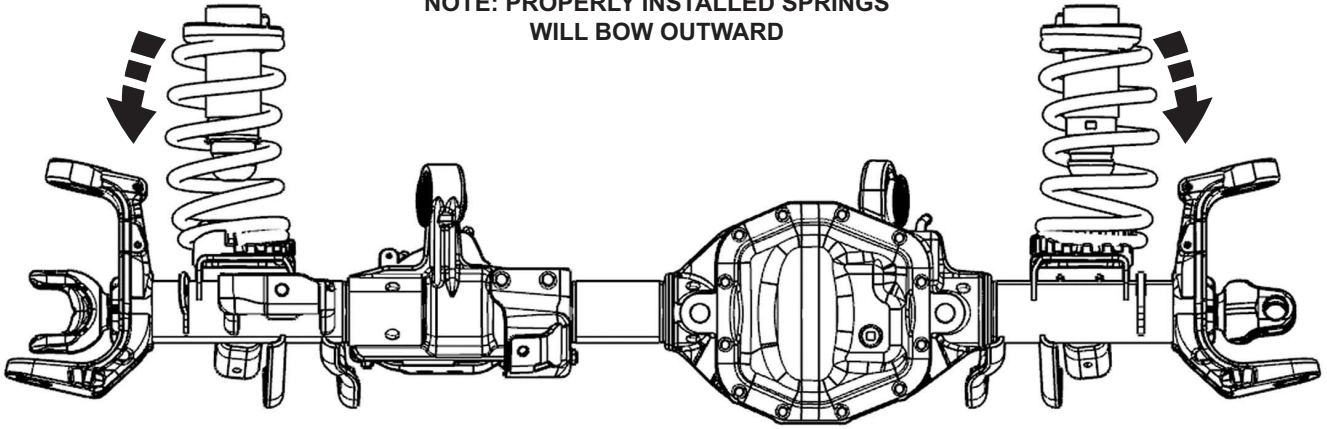


24



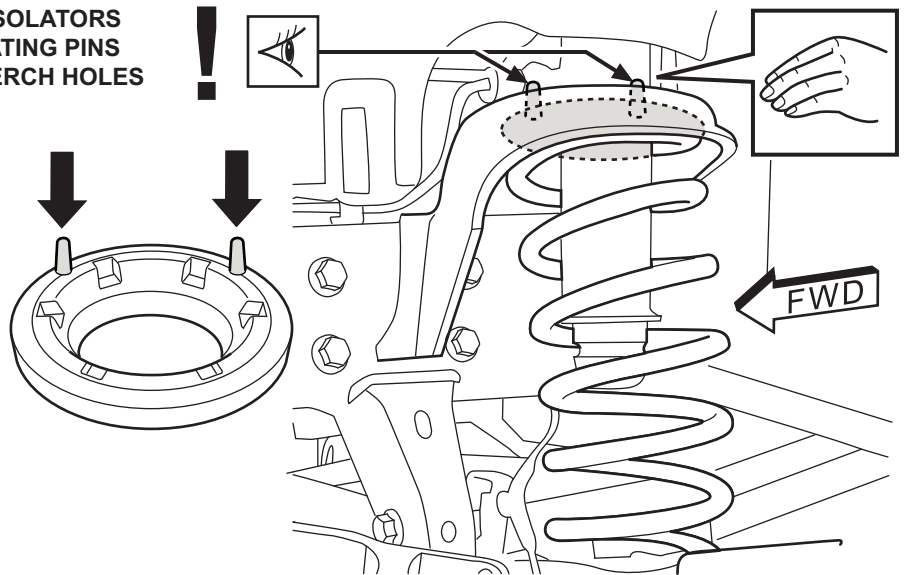
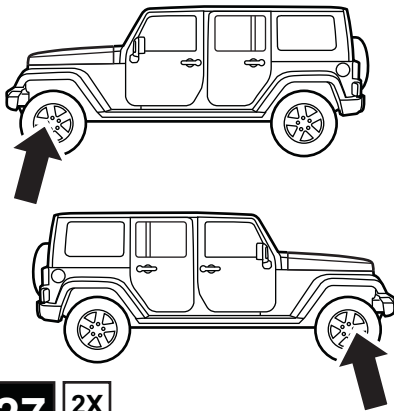
25 2X

**NOTE: PROPERLY INSTALLED SPRINGS
WILL BOW OUTWARD**

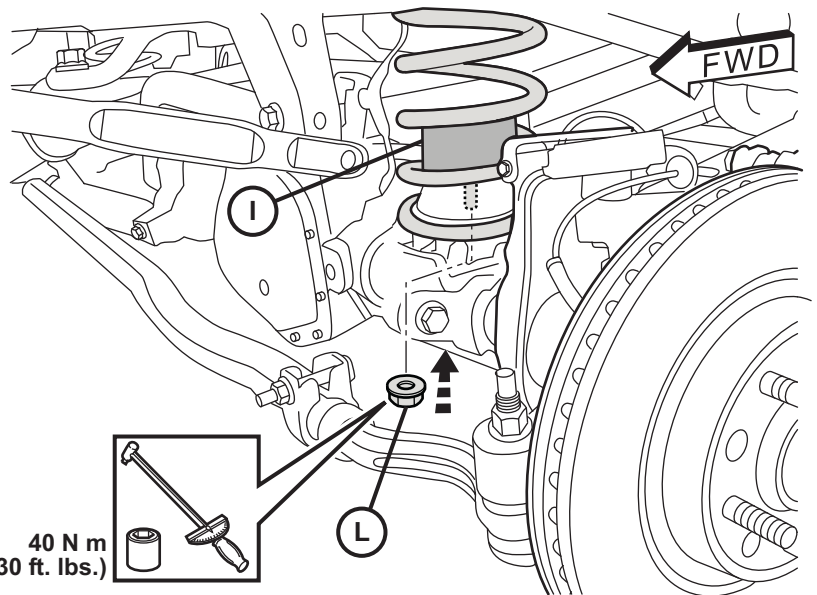
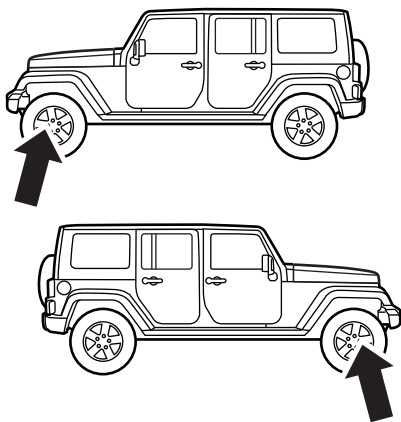


26

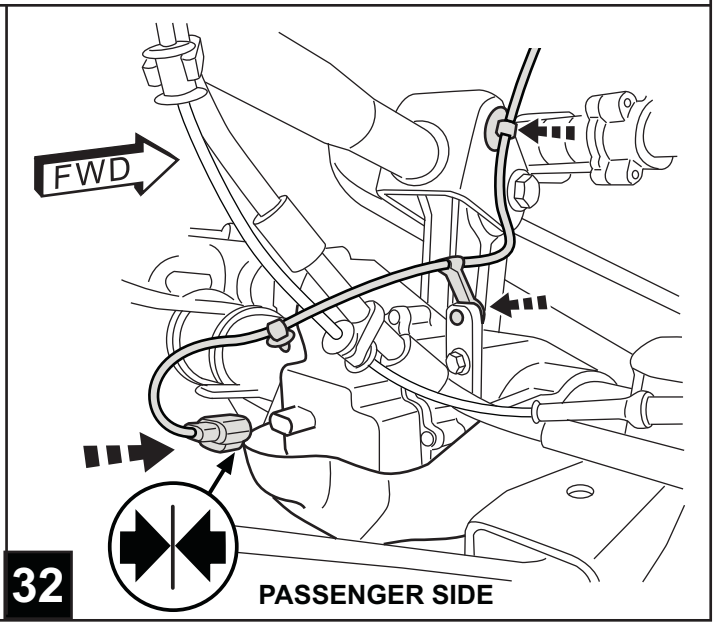
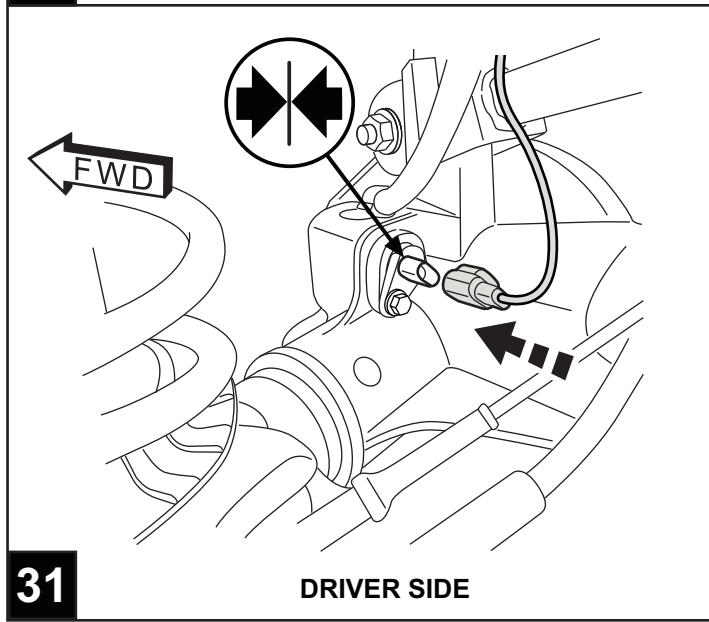
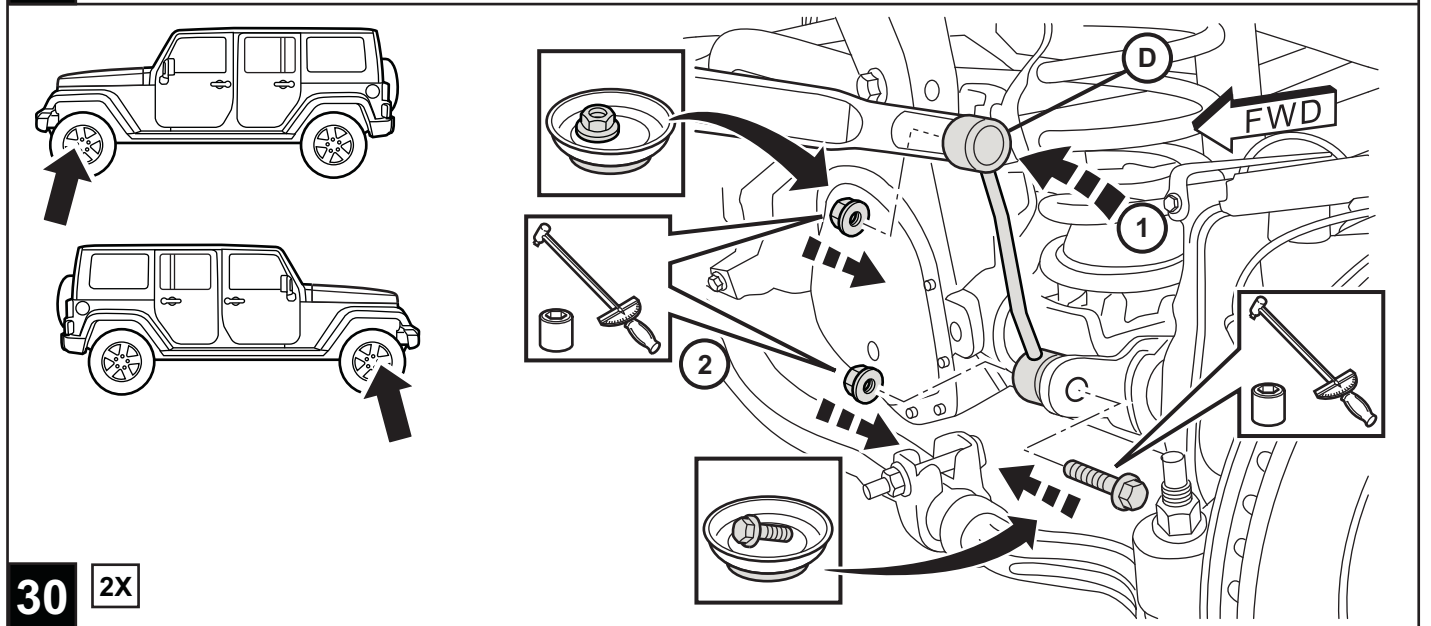
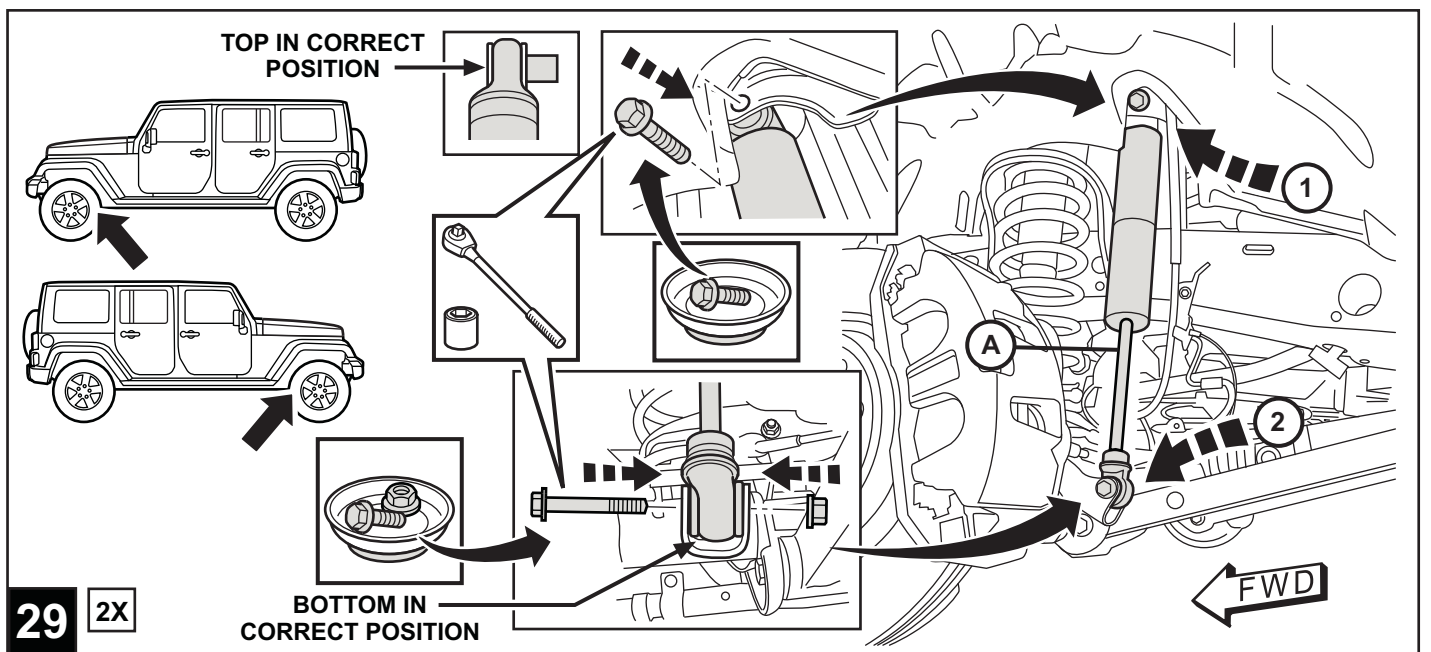
**RECHECK TO ASSURE THE UPPER ISOLATORS
ARE PROPERLY SEATED WITH LOCATING PINS
ALIGNED WITH THE UPPER SPRING PERCH HOLES**



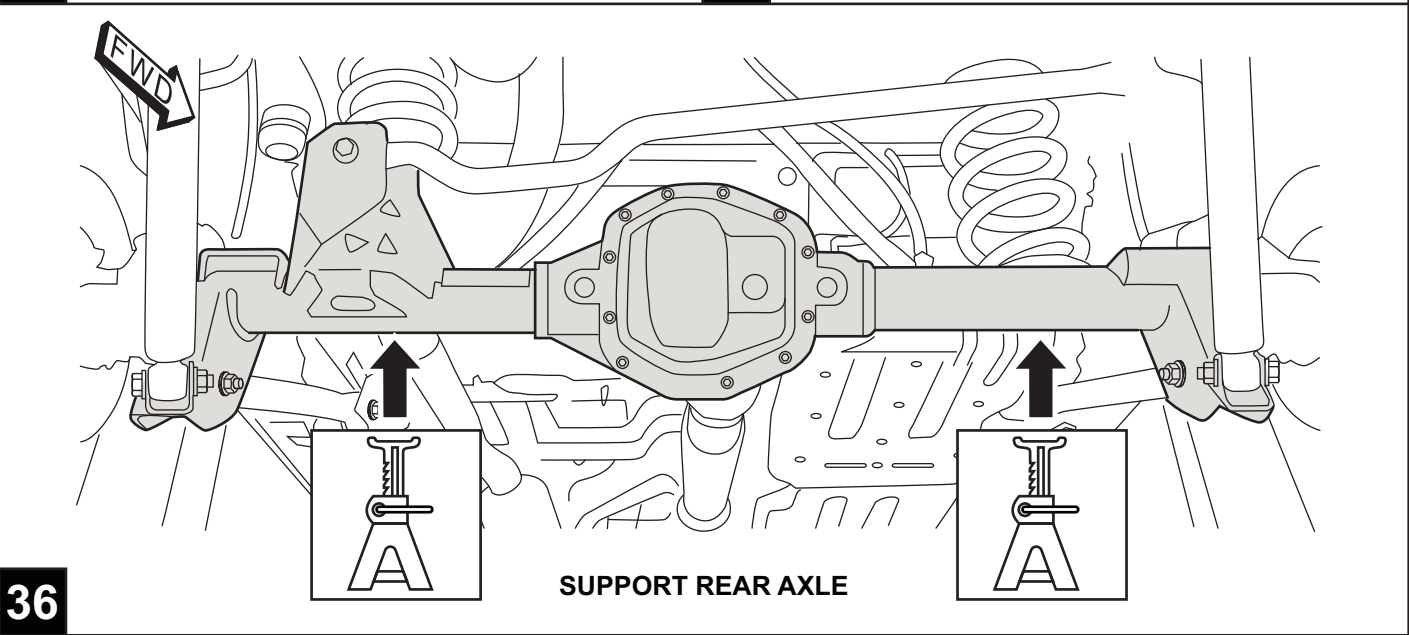
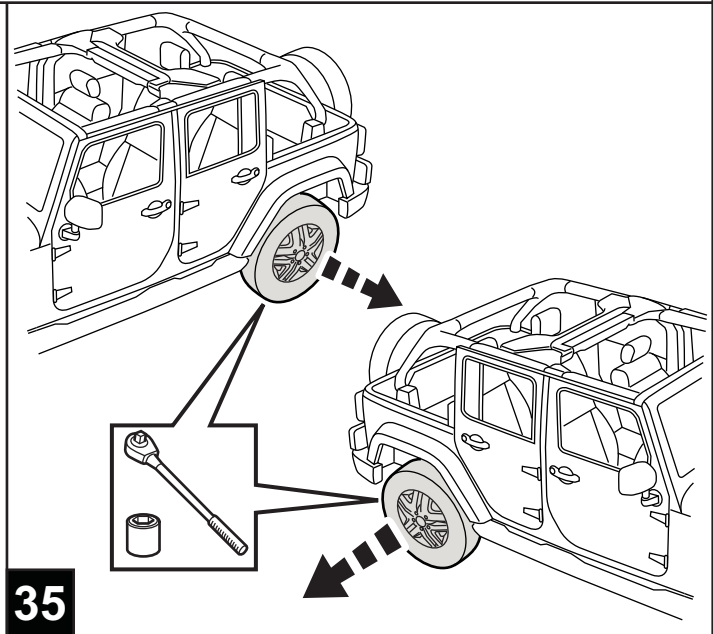
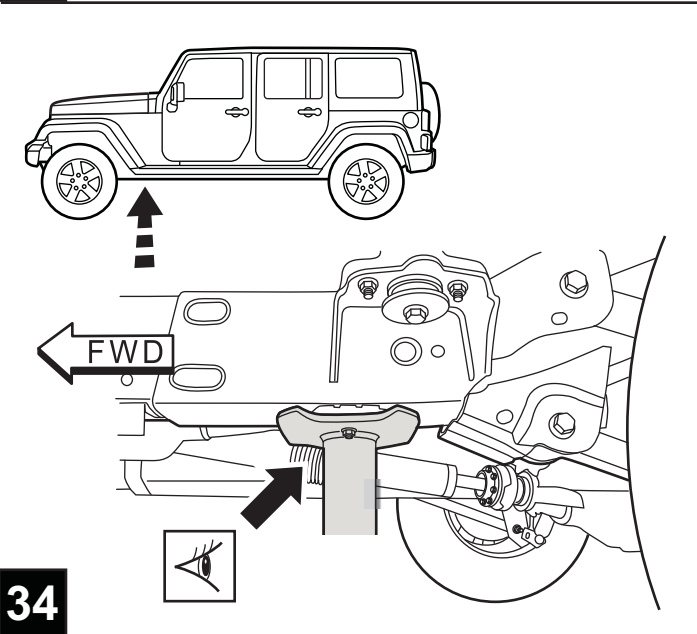
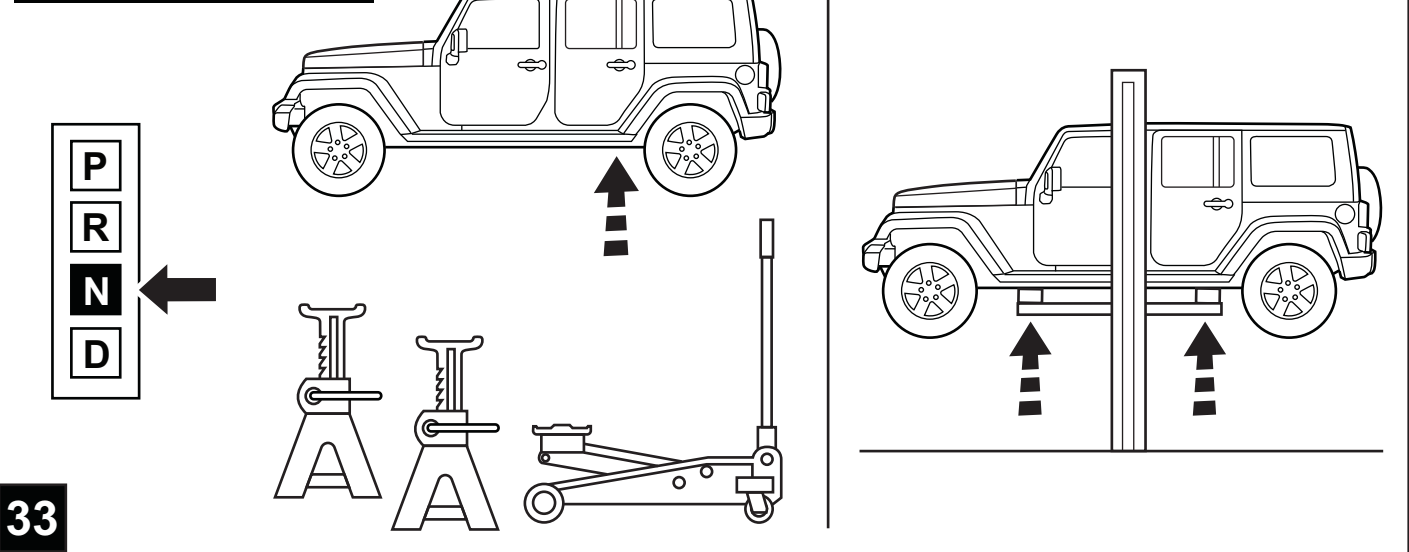
27 2X

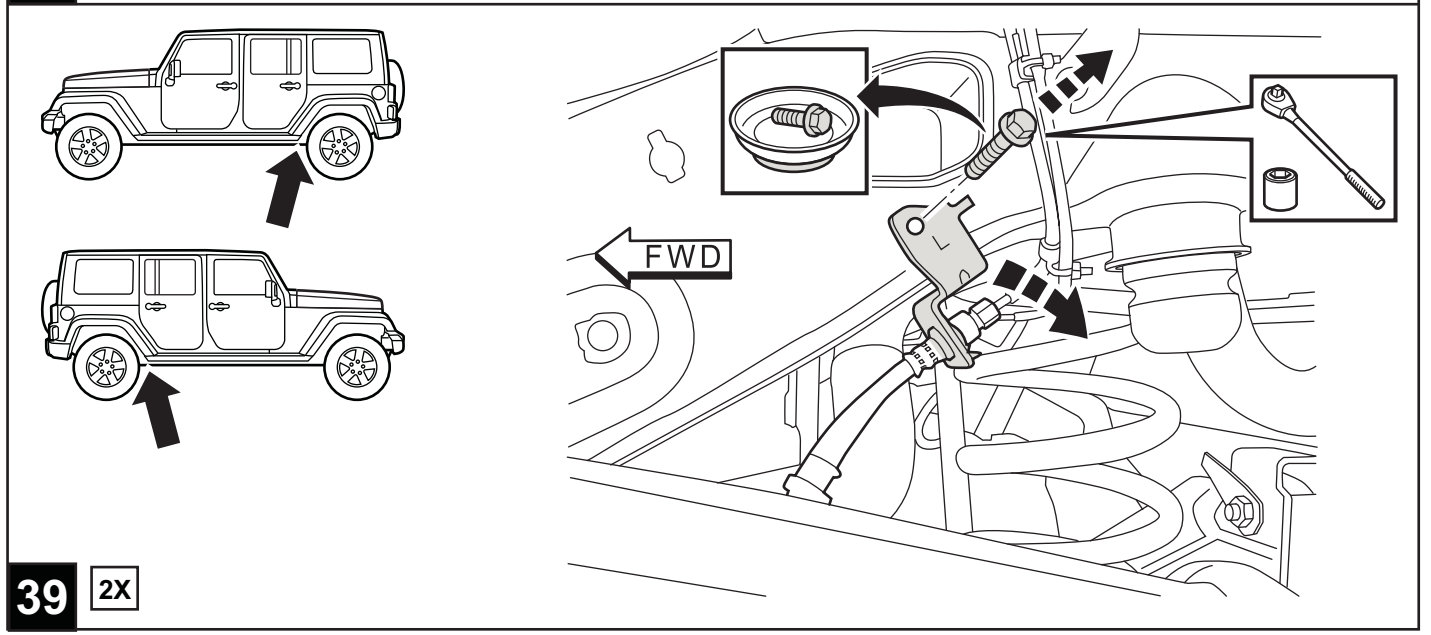
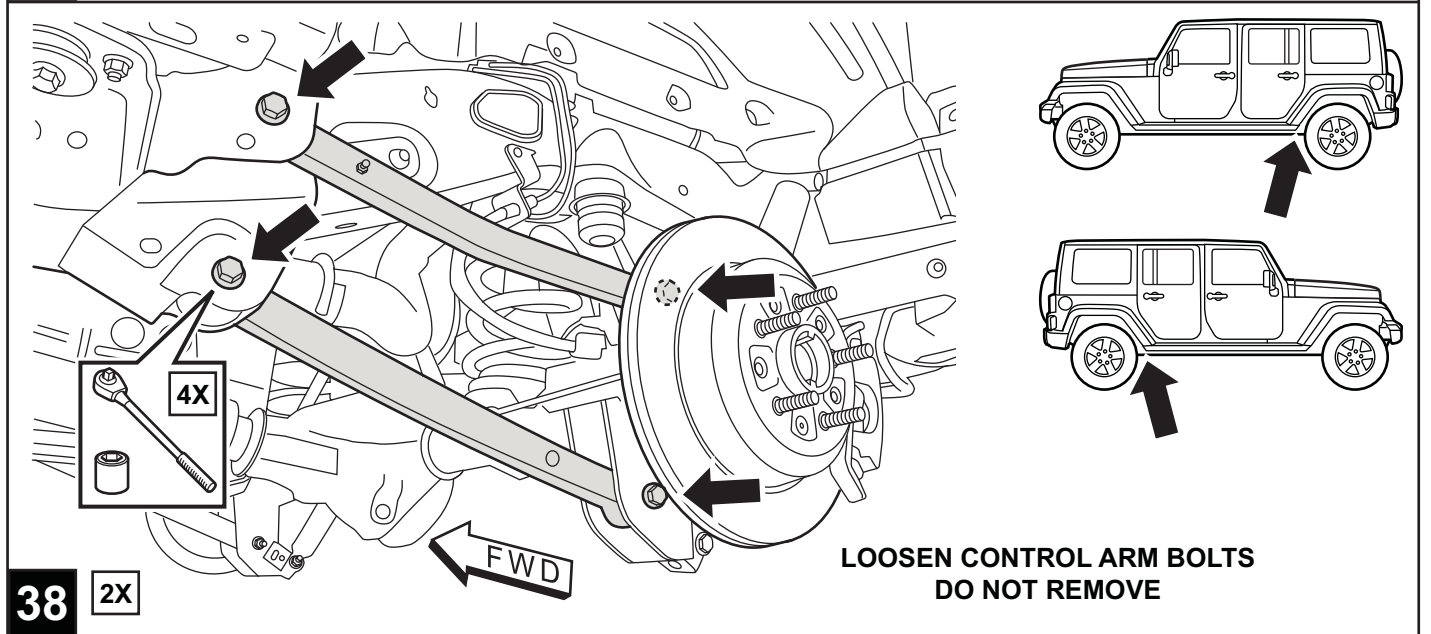
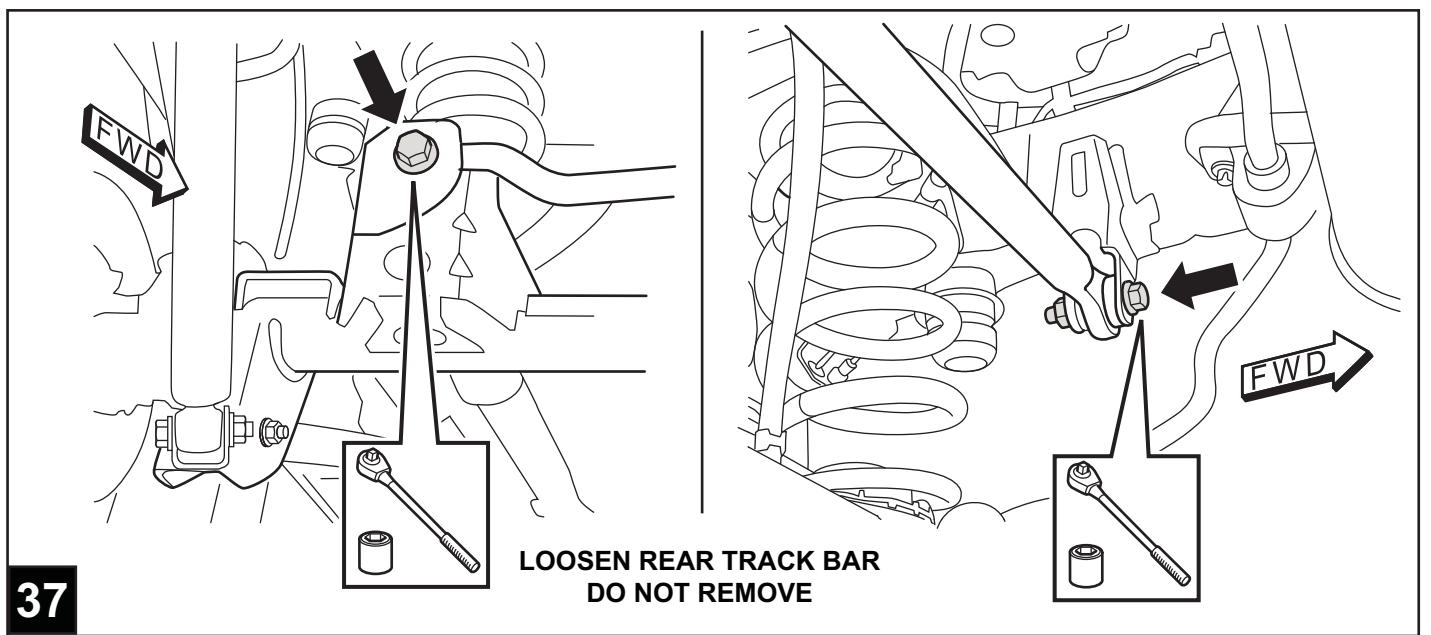


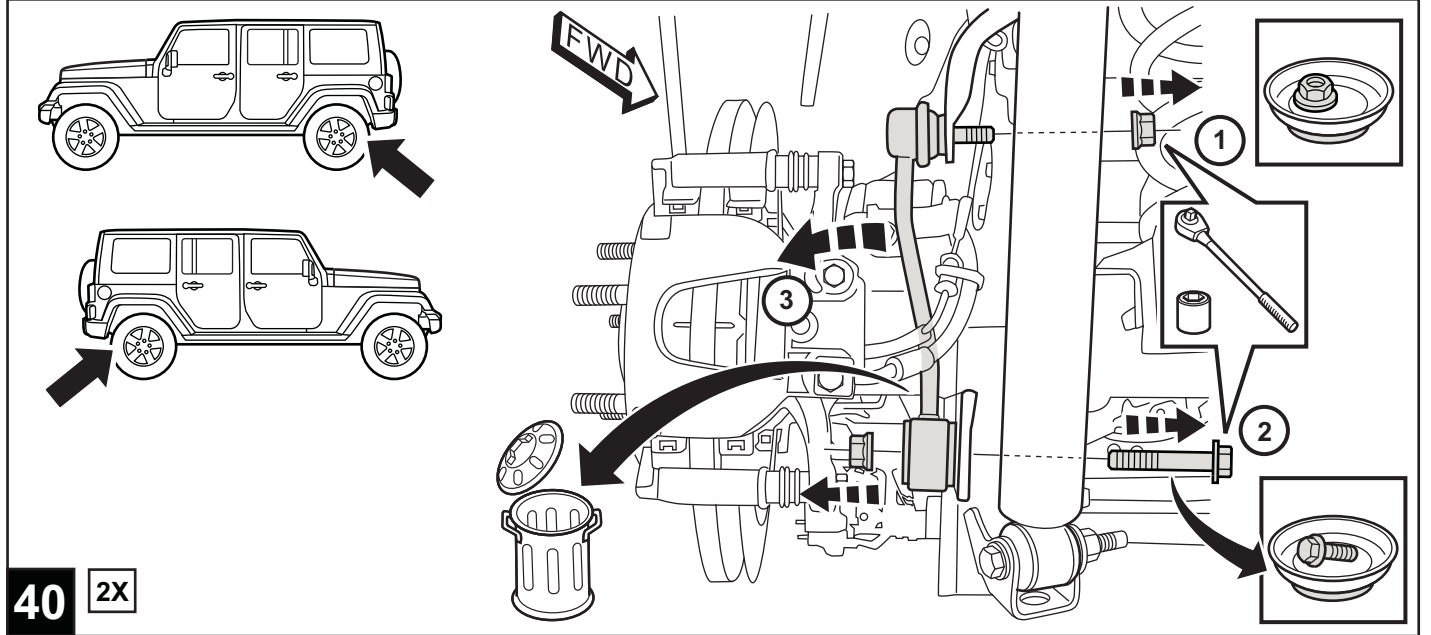
28 2X



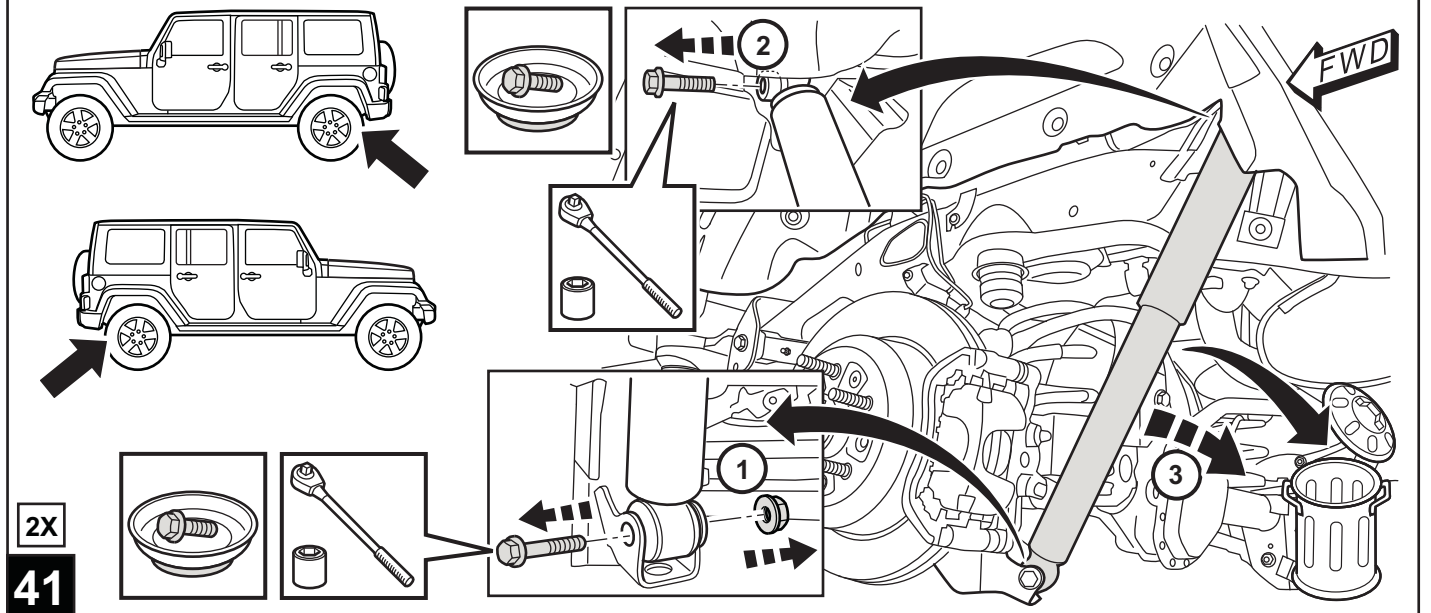
REAR DISASSEMBLY



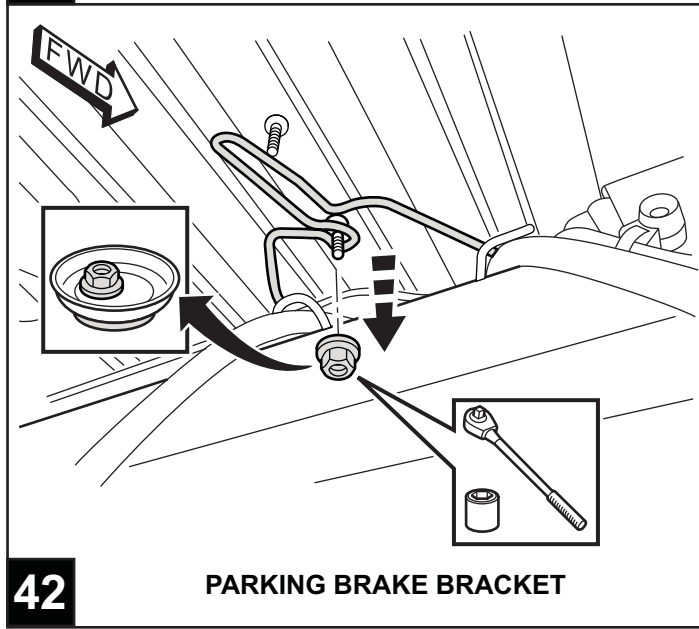




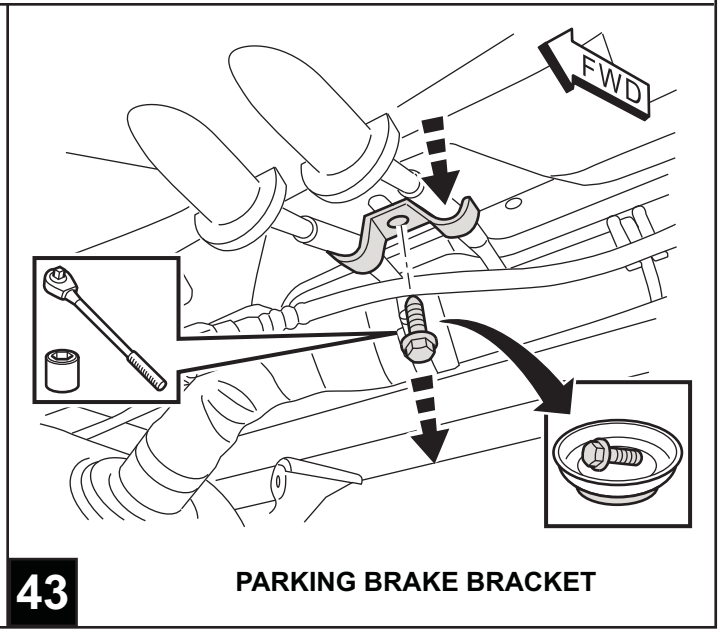
40 2X



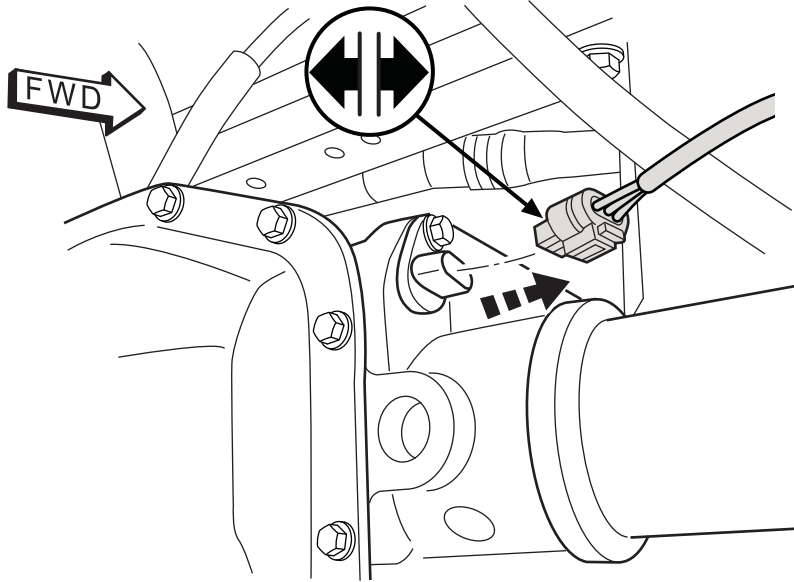
2X
41



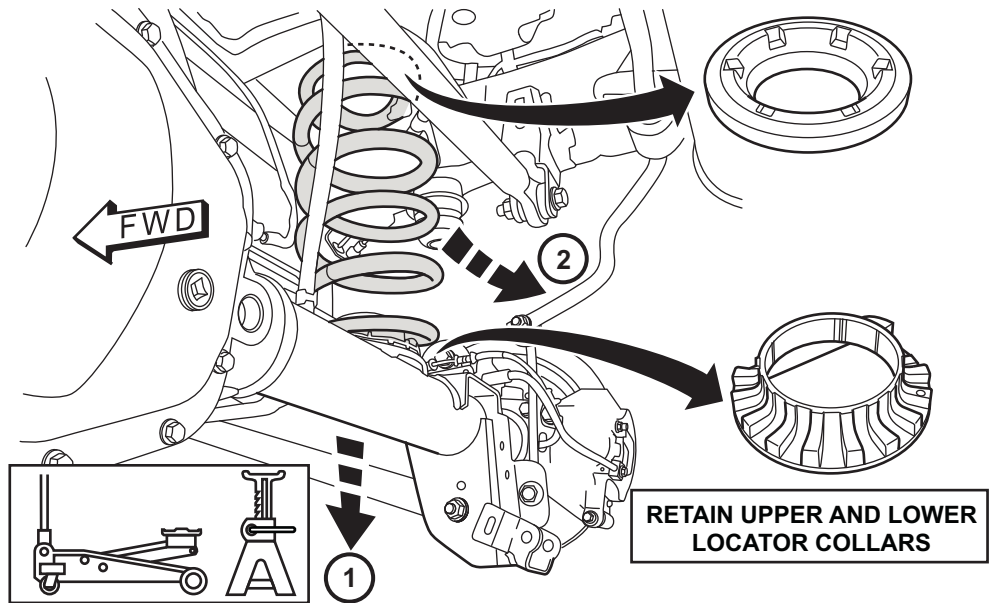
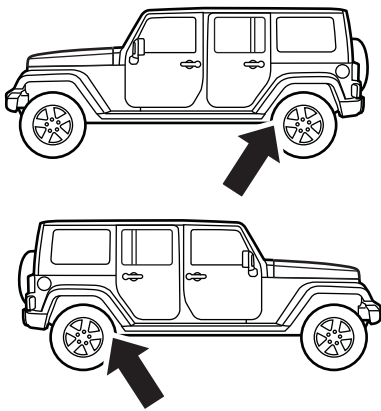
42 PARKING BRAKE BRACKET



43 PARKING BRAKE BRACKET



44



45

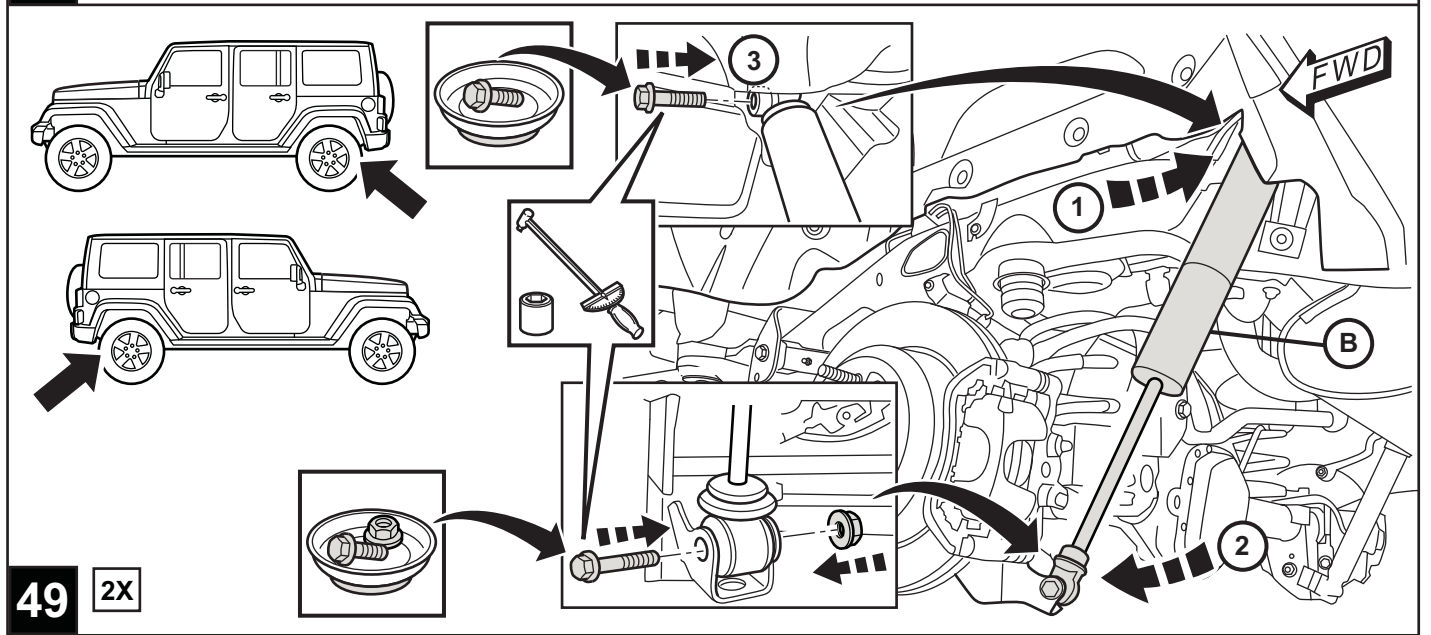
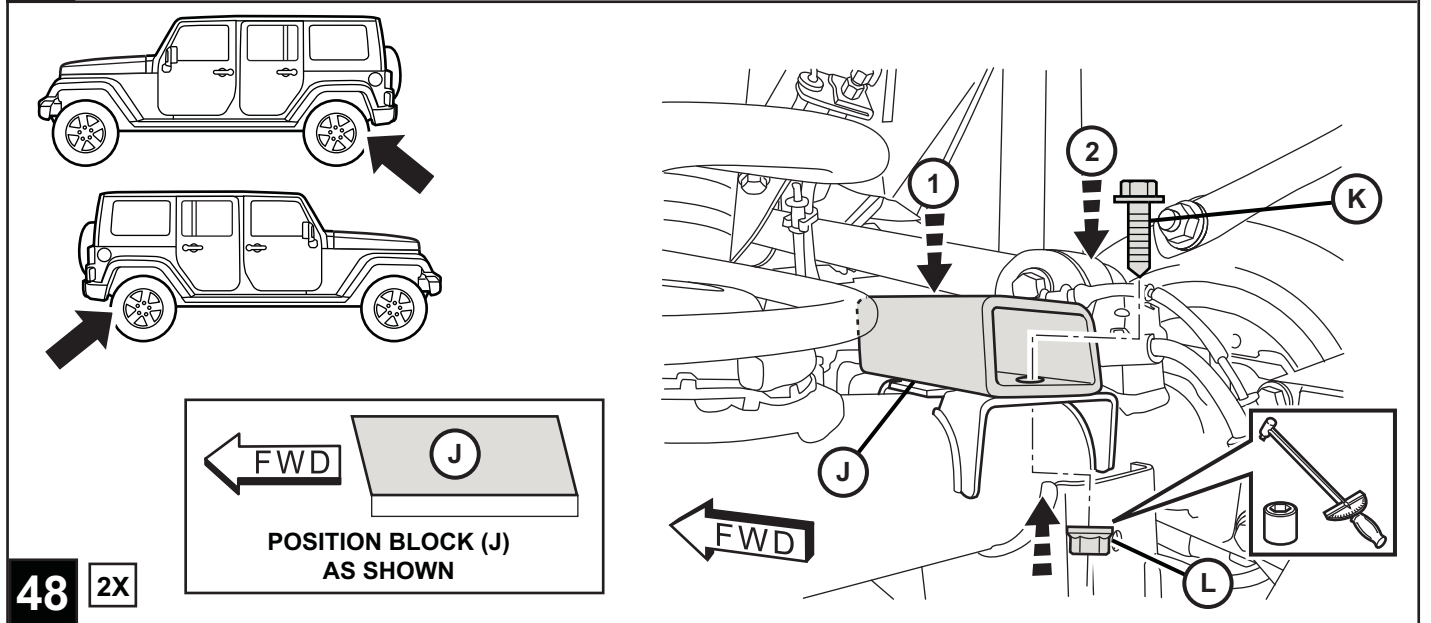
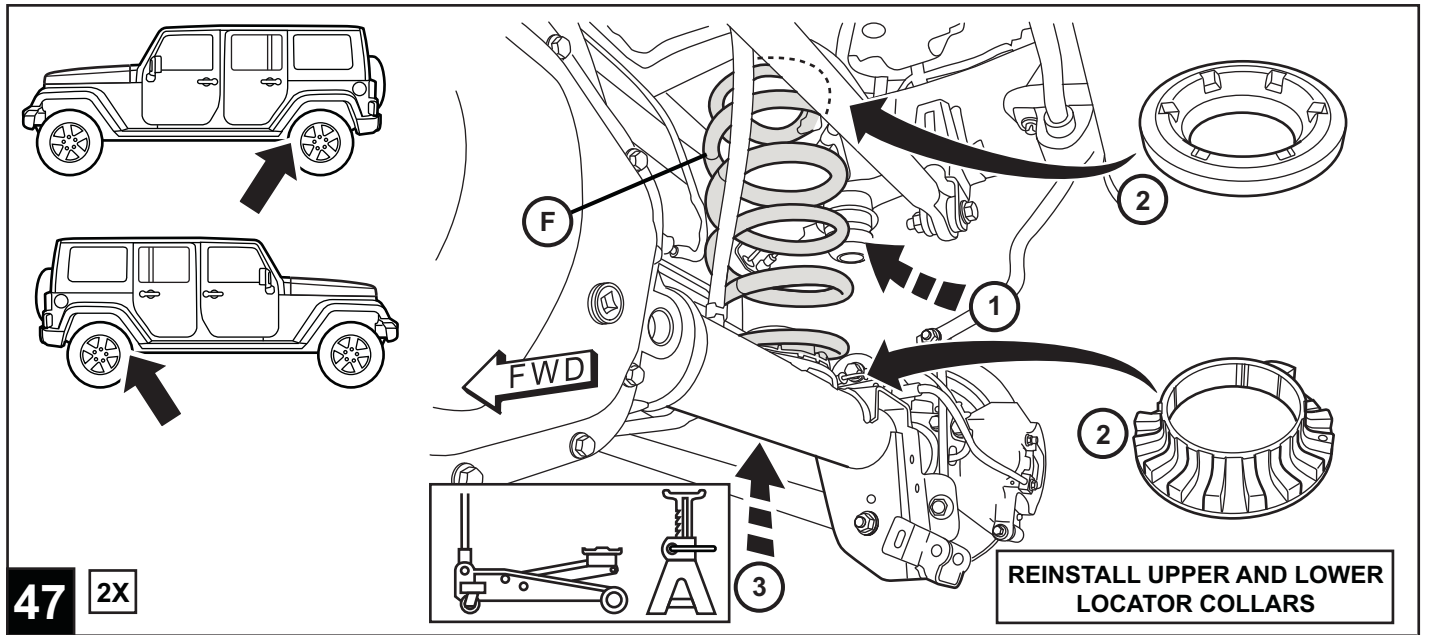
2X

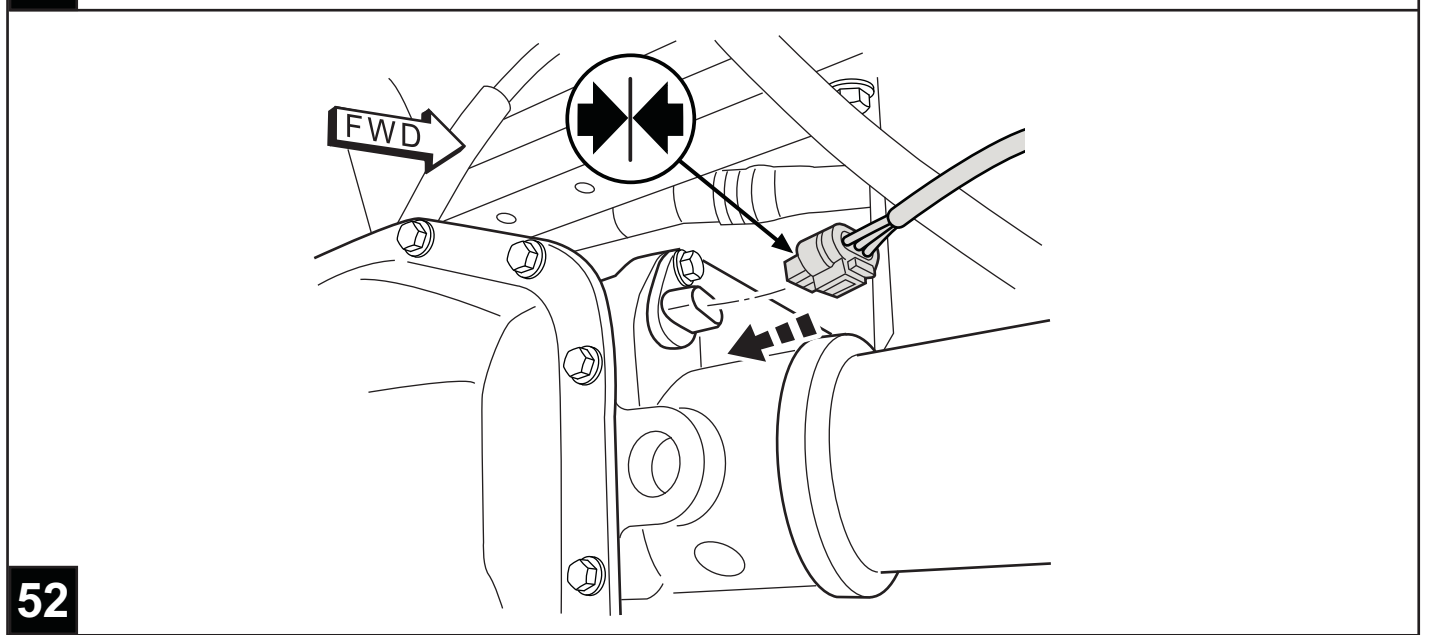
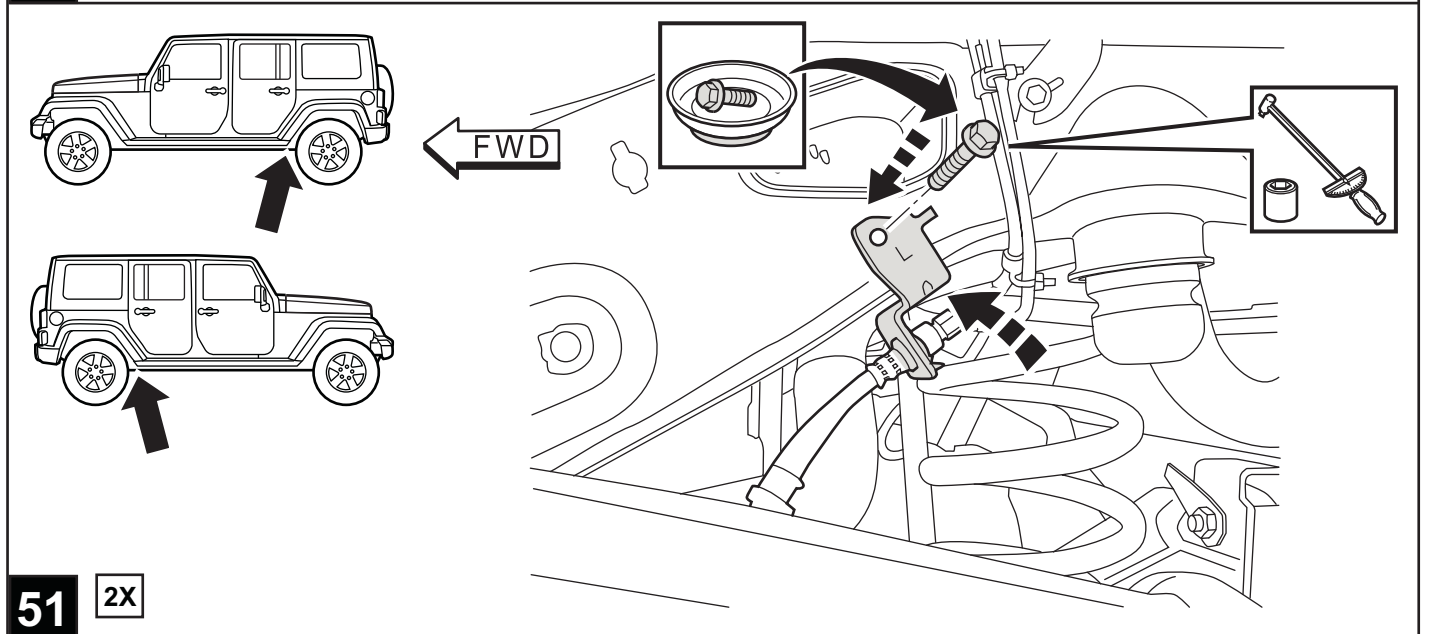
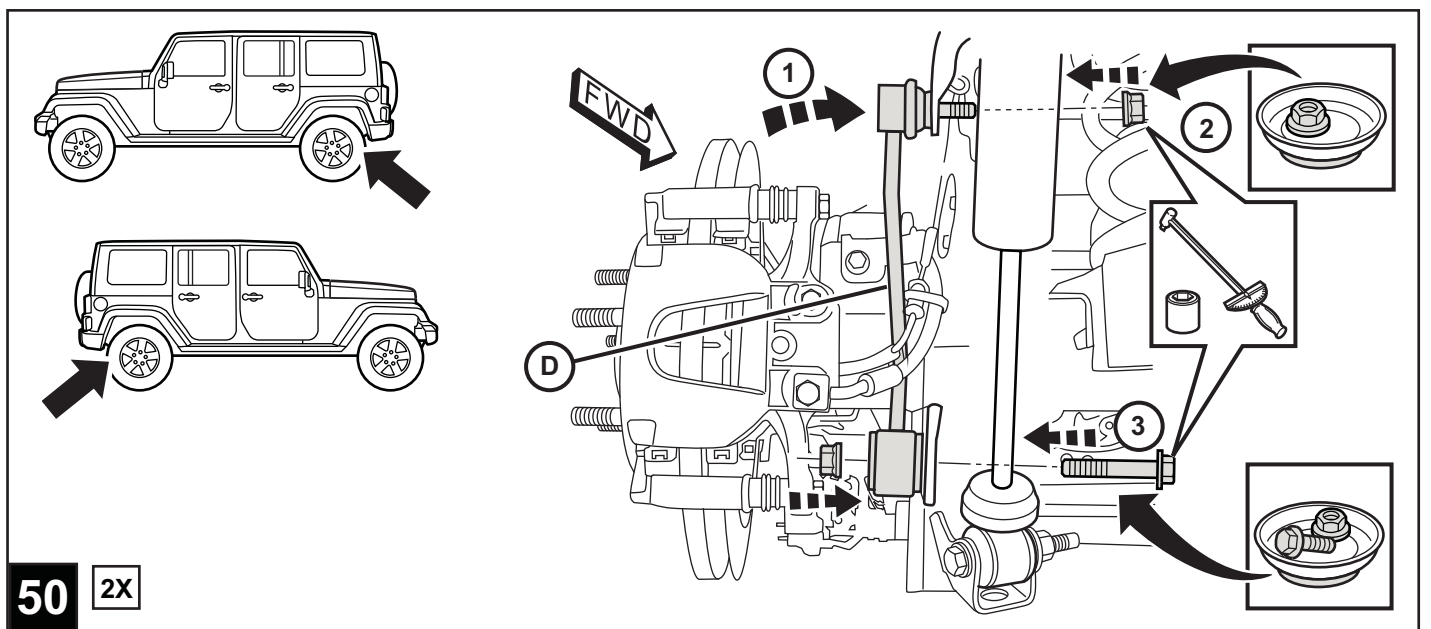
REAR ASSEMBLY

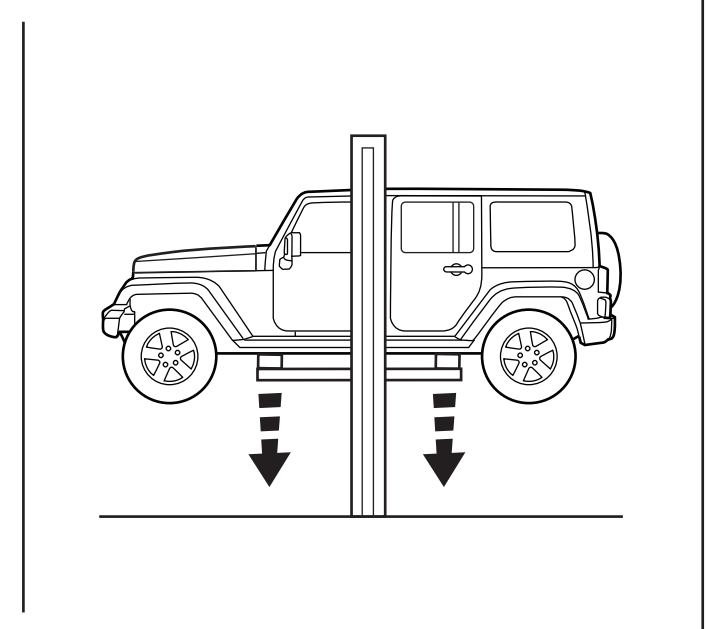
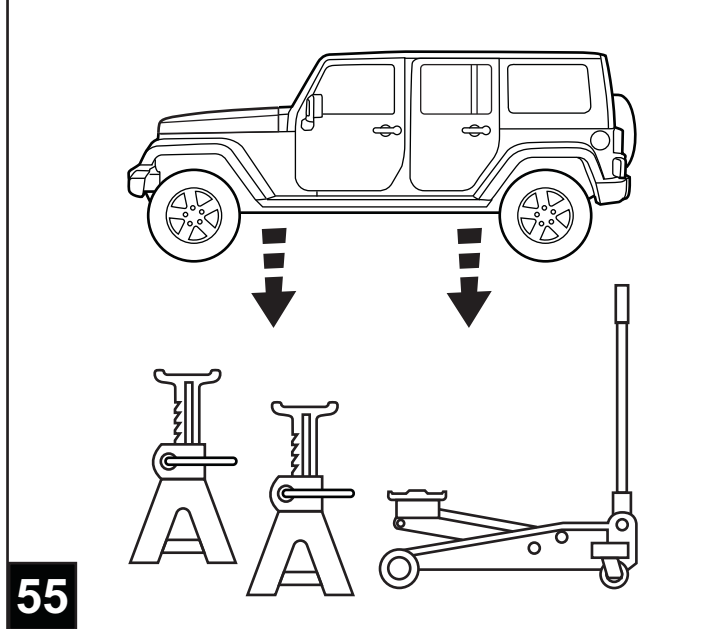
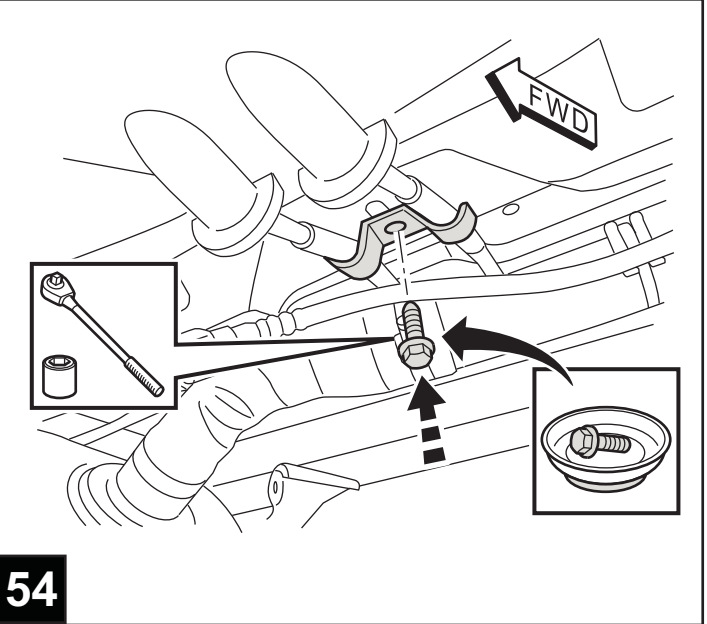
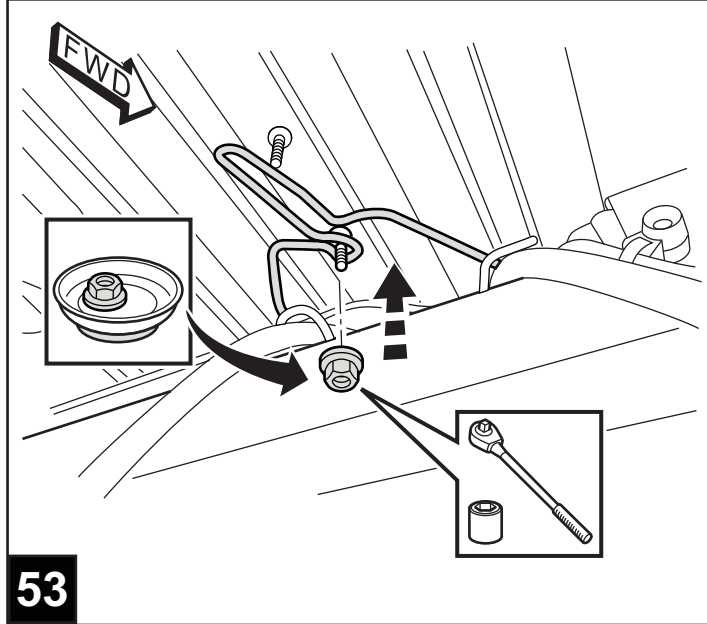
NOTE:

INSTALL NEW KIT COMPONENTS AS SHOWN IN THE FOLLOWING STEPS, BUT DO NOT FULLY TIGHTEN FASTENERS UNTIL INSTRUCTED TO DO SO.

46





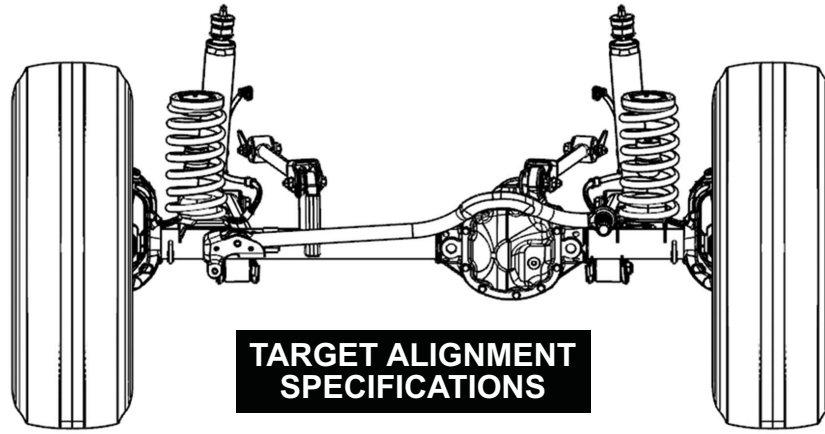


**REFER TO SPECIFICATIONS ON THE FOLLOWING PAGES
TO COMPLETE THESE INSTALLATION STEPS:**

- 1) TORQUE VALUES**
- 2) WHEEL ALIGNMENT**
- 3) HEADLAMP ADJUSTMENT**

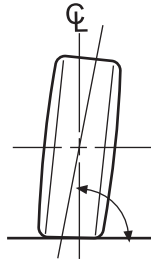
TORQUE SPECIFICATIONS

| Joint | P/N | Size | Wrench Size (m) | Torque ft-lb |
|------------------------------|--------------------------|----------------|-----------------|------------------|
| FRT UCA to Axle | Bolt - 06512084AA | M12x1.5x88.5 | 18 | 80 |
| | Nut - 06104718AA | M12x1.5 | 18 | |
| FRT UCA to Frame | Bolt - 06512084AA | M12x1.5x88.5 | 18 | 80 |
| | Flag Nut - 06511834AA | M12x1.5 | 21 | |
| FRT LCA to Axle | Bolt - 06512085AA | M16x1.5x104 | 21 | 190 |
| | Nut - 06104720AA | M16x1.5 | 24 | |
| FRT LCA to Frame | Bolt - 06512085AA | M16x1.5x104 | 21 | 190 |
| | Nut - 06104720AA | M16x1.5 | 24 | |
| FRT Brake Hose to LCA | | | | 15 |
| | Nut - 06512384AA | M8x1.75 | 15 | |
| FRT Track Bar to Axle | Bolt - 06512061AA | M14x1.5x74.15 | 21 | 110 |
| | Flag Nut - 06512106AA | M14x1.5 | 21 | |
| FRT Track Bar to Frame | Bolt - 06512061AA | M14x1.5x74.15 | 21 | 110 |
| | Nut - 06104719AA | M14x1.5 | 21 | |
| FRT Stabar Link to Axle | Bolt - 06512065AA | M12x1.5x75 | 18 | 60 |
| | Nut - 06104718AA | M12x1.5 | 18 | |
| | Flag Nut - 06508590AA | M12x1.5 | 18 | |
| FRT Stabar to Frame | Bolt - 06508224AA | M10x1.5x25 | 15 | 45 |
| | | | | |
| FRT Stabar Link to Stabar | | | | 60 |
| | Nut - 06502697 | | 18 | |
| FRT UCA Heat Shield to Frame | Bolt - 06509319AA | M6x1.0x21.8 | 10 | 40 in-lbs |
| | | | | |
| FRT Lower Shock to Axle | Bolt - 06512084AA | M12x1.5x88.5 | 18 | 75 |
| | Nut - 06510676AA | M12x1.5 | 18 | |
| FRT Upper Shock to Frame | Bolt - 06512467AA | M12x1.5x120 | 18 | 80 |
| | | | | |
| RR UCA to Axle | Bolt - 06512063AA | M14x1.5x104.15 | 21 | 95 |
| | Flag Nut - 06508598AA | M14x1.5 | 21 | |
| RR UCA to Frame | Bolt - 06512063AA | M14x1.5x104.15 | 21 | 120 |
| | Flag Nut - 06508786AA | M14x1.5 | 21 | |
| RR LCA to Axle | Bolt - 06512063AA | M14x1.5x104.15 | 21 | 90 |
| | Nut - 06104719AA | M14x1.5 | 21 | |
| RR LCA to Frame | Bolt - 06512063AA | M14x1.5x104.15 | 21 | 90 |
| | Nut - 06104719AA | M14x1.5 | 21 | |
| RR Track Bar to Axle | Bolt - 06512061AA | M14x1.5x74.15 | 21 | 90 |
| | Flag Nut - 06508593AA | M14x1.5 | 21 | |
| RR Track Bar to Frame | Bolt - 06512061AA | M14x1.5x74.15 | 21 | 90 |
| | Nut - 06104719AA | M14x1.5 | 21 | |
| RR Stabar Link to Axle | Bolt - 06512065AA | M12x1.5x75 | 18 | 60 |
| | Nut - 06104718AA | M12x1.5 | 18 | |
| RR Stabar to Frame | Bolt - 06508224AA | M10x1.5x25 | 15 | 50 |
| | | | | |
| RR Lower Shock to Axle | Bolt - 06512084AA | M12x1.5x88.5 | 18 | 75 |
| | Nut - 06510676AA | M12x1.5 | 18 | |
| RR Upper Shock to Frame | Bolt - 06105106AA | M12x1.5x110 | 18 | 80 |
| | | | | |
| Front Bump Stop | | M8X1.25X20 | 18 | 20 |
| | Nut | M8X1.25 | | |
| Rear Bump Stop | Bolt - 05143356AC | M8x1.25x21 | 18 | 20 |
| | Nut - 06101695 | M8X1.25 | | |



LEFT FRONT

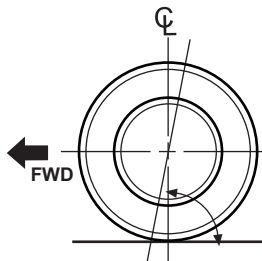
CAMBER
 $- 0.25^\circ \pm 0.37^\circ$
 (FIXED, CAN NOT BE ADJUSTED)



RIGHT FRONT

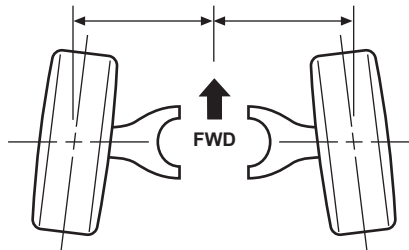
CAMBER
 $- 0.25^\circ \pm 0.37^\circ$
 (FIXED, CAN NOT BE ADJUSTED)

CASTER
 $4.80^\circ \pm 1.00^\circ$



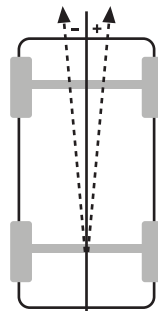
CASTER
 $4.80^\circ \pm 1.00^\circ$

TOE-IN
 $0.0^\circ - 0.12^\circ$

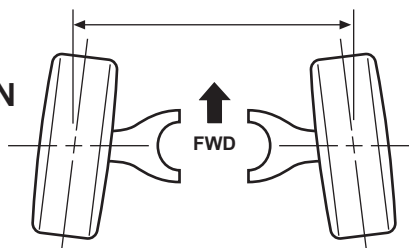


TOE-IN
 $0.0^\circ - 0.12^\circ$

THRUST ANGLE
 $0.0^\circ - 0.25^\circ$



TOTAL TOE-IN
 $0.0^\circ - 0.20^\circ$



HEADLAMP ALIGNMENT

1. Verify proper tire inflation pressures.
2. Verify that there is no extra weight load in the vehicle except for the driver.
3. The fuel tank should be FULL.
4. Prepare an alignment wall according to diagram below:

