



Genuine Accessories Installation Instructions

Part Number
0000-8G-D12

Front Mask

Applicable Models:
2015 > Mazda MX-5 without Air Dam

Package Contents



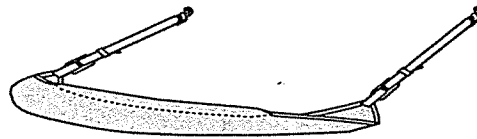
Index Screw
(Qty. 6)



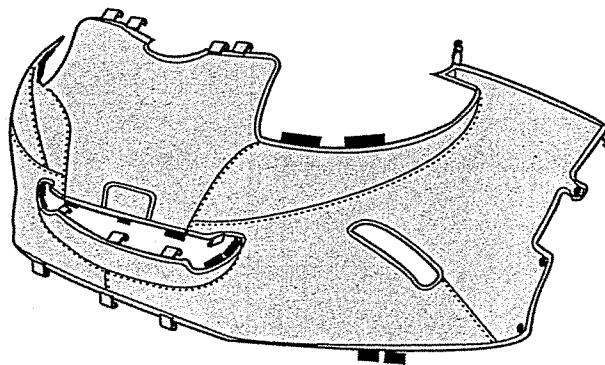
U-Nut
(Qty. 6)



Washer
(Qty. 6)



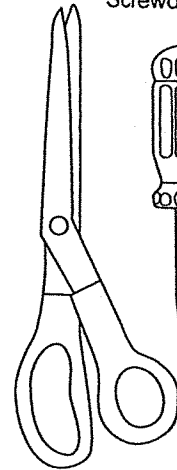
Hood Cover (Qty. 1)



Front End Cover (Qty. 1)

Tools Required

Stubby Flat Head
Screwdriver



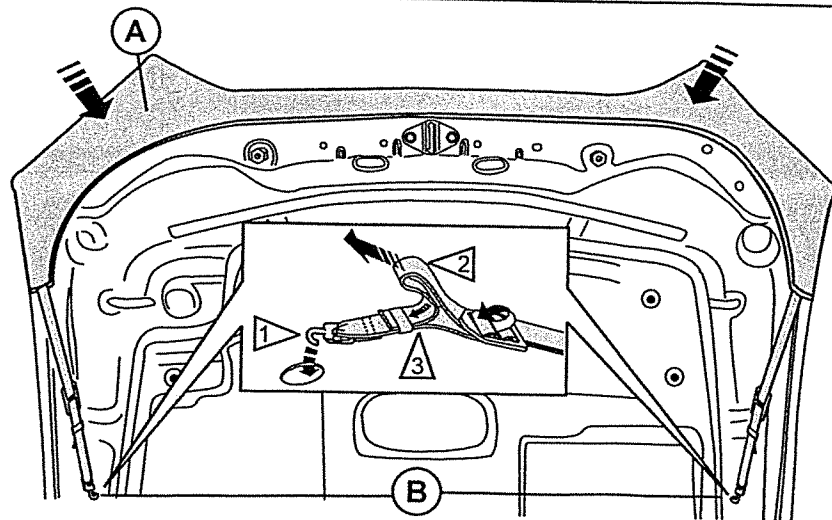
Scissors

0 Before Installation

- A. Area to be covered by mask must be clean. It is recommended that you wash and wax vehicle prior to installation.
- B. Both vehicle and mask must be completely dry prior to installation. If moisture under mask is allowed to dry on vehicle, paint may cloud.
- C. Any repainted surfaces in contact with mask must be allowed to cure completely. Consult paint manufacturer or repair facility if you are not sure.
- D. Dealers should provide all customers with a copy of these installation instructions for future reference.

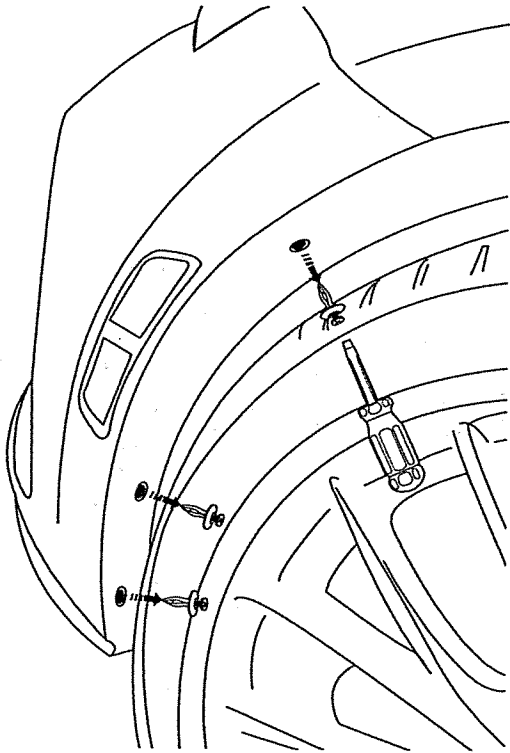
1 Install Hood Cover

- A. With hood open, stretch hood cover (A) onto hood, pulling each side one or two inches at a time, until corners fit snugly. Install hooks on ends of straps (B) in corresponding holes on underside of hood. Pull evenly on ends of adjustable straps until tight. Secure loose ends in elastic loops.



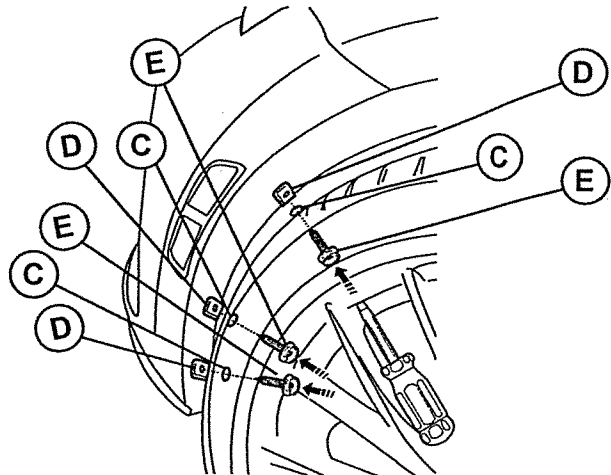
2 Remove wheel well fasteners

- A. Using a stubby flat head screwdriver, remove the three plastic fasteners illustrated below along the front edge of both front wheel wells.



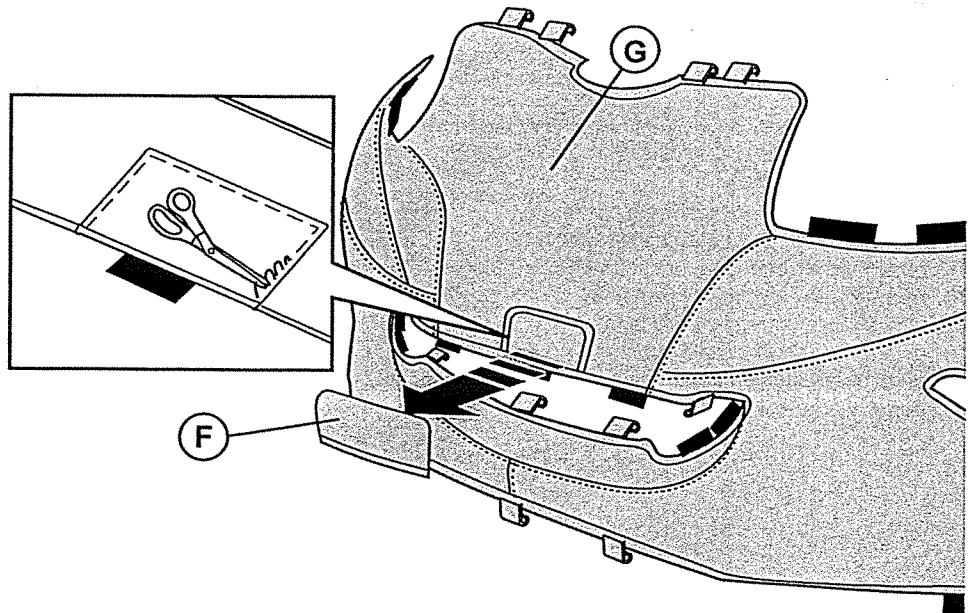
3 Install wheel well hardware

- A. In both front wheel wells, lift wheel well liner to reveal holes.
- B. Insert U-nuts (D) over the holes in metal edge that correspond to the front mask. Make sure that the holes are aligned properly.
- C. Release liner to its original position. Using a stubby phillips screwdriver, install the index screws (E) and washers (C) into holes with newly installed U-nuts (D).



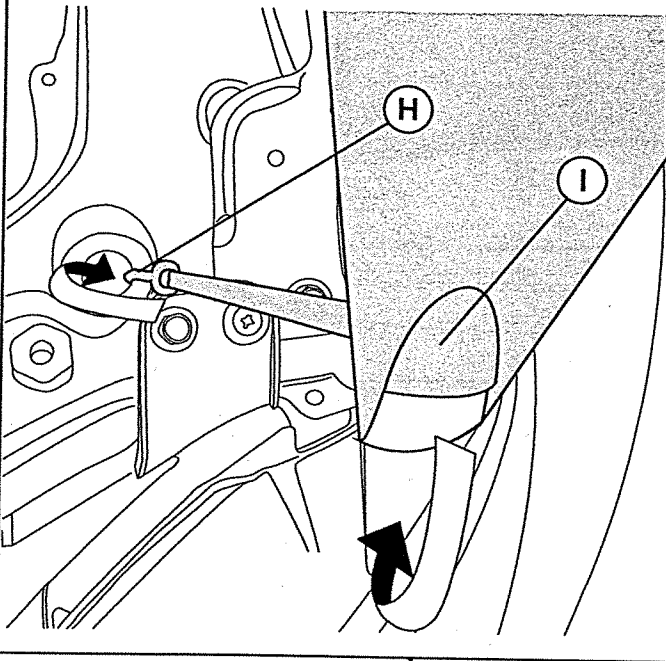
4 Cut out license plate flap on front end cover

- A. If state or provincial law requires use of front license plate, remove piece (F) from the front mask bumper section (G) that covers the front license plate. Face the inside of the mask (G) toward you. Carefully cut the red overcast stitching with a small pair of scissors. Remove the stitching and the license plate cover (F). Caution: Cut out section before installing mask, making sure to not cut elastic tabs or hooks.



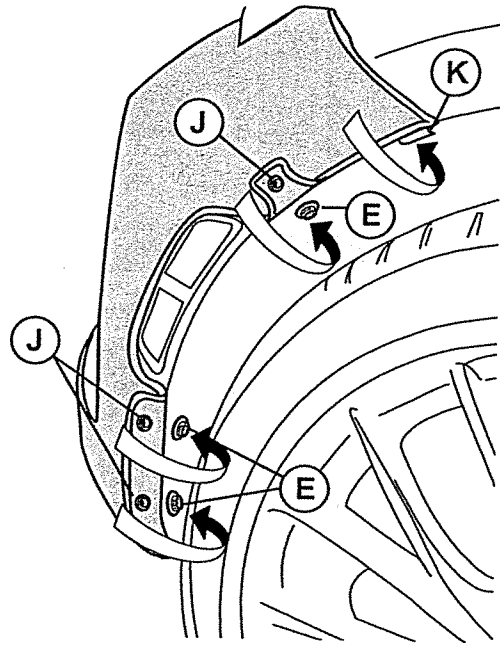
5 Install upper hooks and pockets

A. With hood open, lay front end cover over front of vehicle. On driver's side of vehicle, attach hook (H) to hole in hood opening then slip pocket (I) over corner along edge of hood opening. Repeat on passenger side.



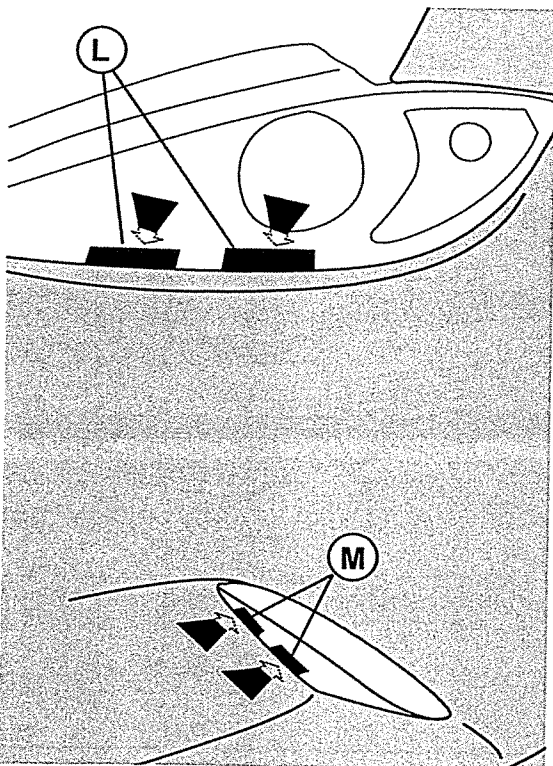
6 Install wheel well attachments

A. Press 3 snaps (J) onto index screws (E) in both front wheel wells. Assistance may be required to evenly pull mask to snaps. Attach clip (K) onto edge of wheel well.



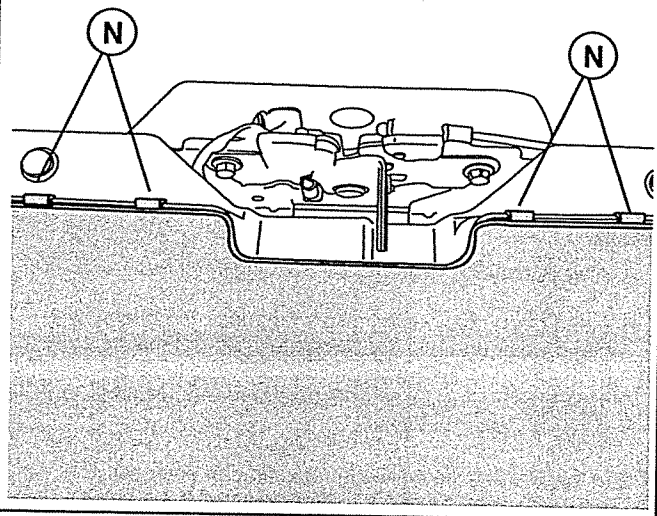
7 Install light pads

A. On driver's side, insert pads (L) in slots around headlights. Insert pads (M) in slots around fog light openings. Repeat on passenger's side.



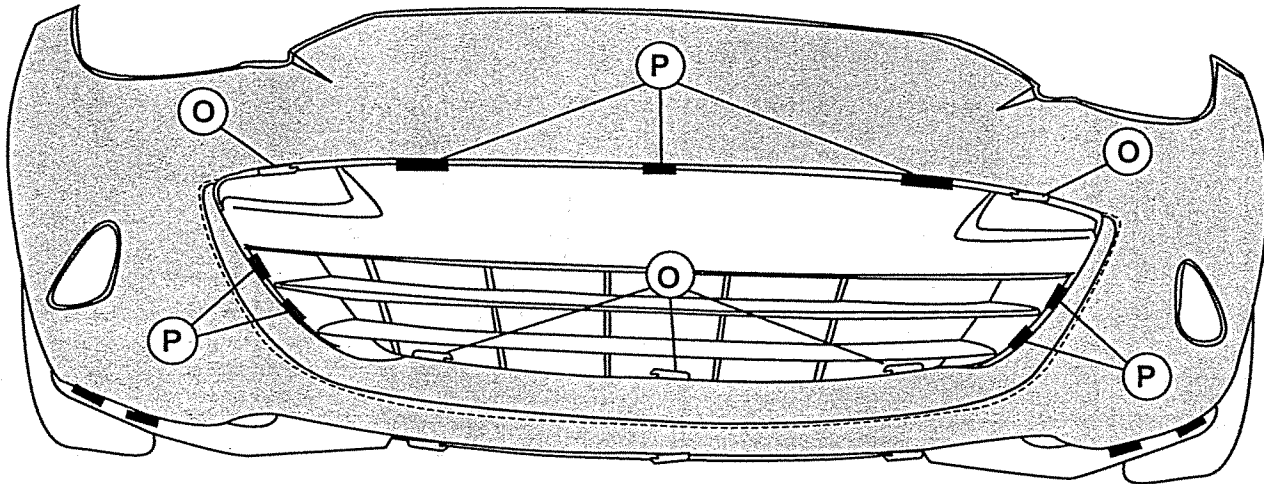
8 Install upper area attachments

A. Attach clips (N) to edge of metal surrounding hood latch.



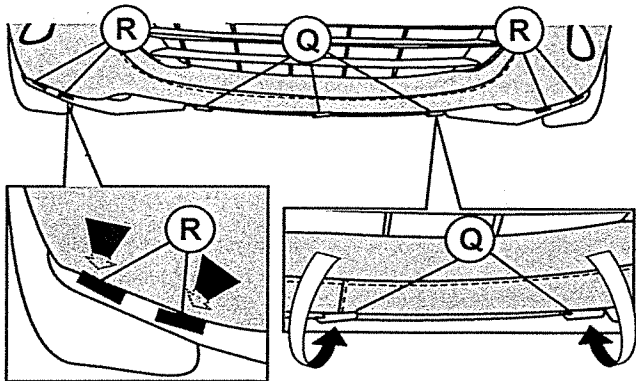
9 Install grill clips and pads

A. Attach 5 clips (O) to the edge of the grille. Install 7 pads (P) in slots around edge of the grille.



10 Install lower fascia clips and pads

A. Attach 3 clips (Q) and 4 pads (R) to lower edge of bumper.



12 Care and Cleaning

- A. Always remove mask before washing vehicle.
- B. Hand clean mask using mild soap, rinse thoroughly with clean water and line dry completely. Do not machine dry!
- C. Use Mazda Vinyl/Leather Protectant (or equivalent) to preserve color and finish.
- D. If mask is left on vehicle in rain, dirt can potentially be washed under the mask and could scratch the vehicle. It is recommended that the mask be removed and cleaned along with vehicle as instructed if left on during rain, sleet, or snow.
- E. **WARNING:** Running up on curb will damage this product. Manufacturer will not be responsible for damage to product due to accident or misuse.

11 Post Installation Inspection

- A. Close hood and check alignment between hood cover (A) and front end cover (G) along seams (between fenders and hood). If adjustment is necessary, adjust the hood cover by adjusting the hood cover straps. Refer to step 1.
- B. If mask should flap due to high speed or wind conditions, adjust or remove mask completely.

