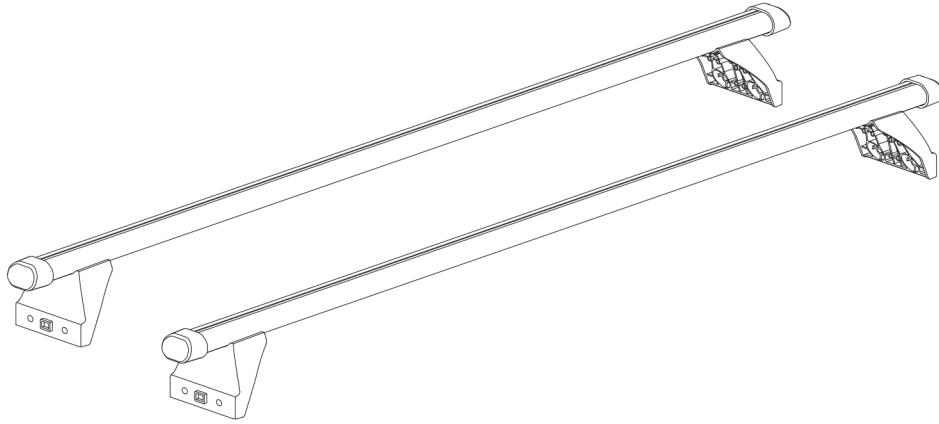


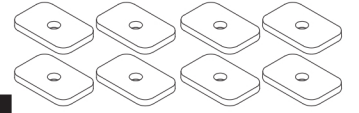
Multipurpose Truck Bed Rack Jeep Wrangler Truck



A 2x

Weight

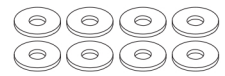
15 lbs. (6.8 kg)



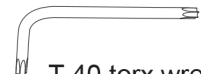
B plate 8x



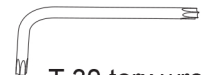
C screw 8x



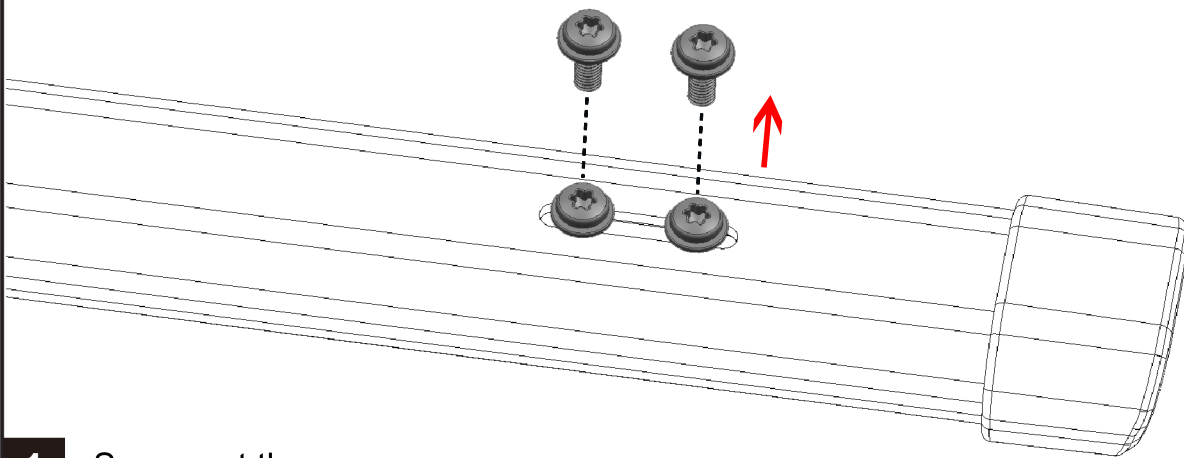
D washer 8x



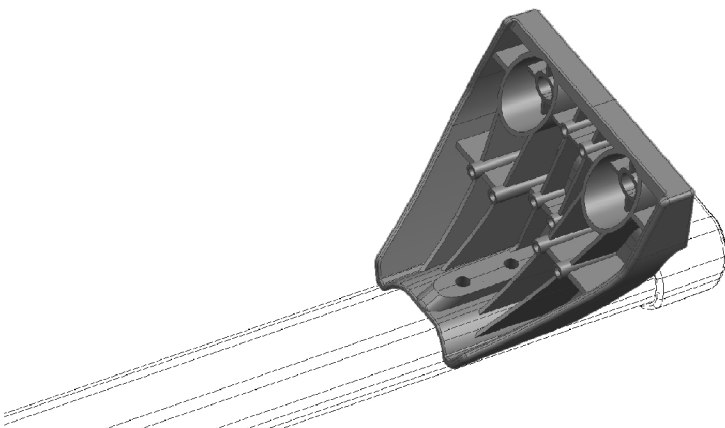
E T-40 torx wrench 1x



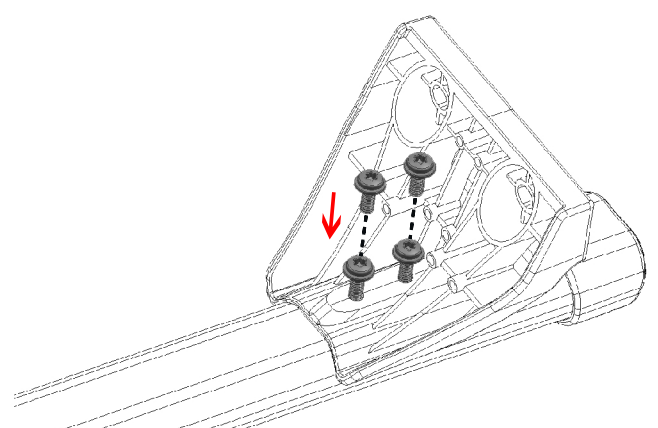
F T-30 torx wrench 1x



1 Screw out the screws.

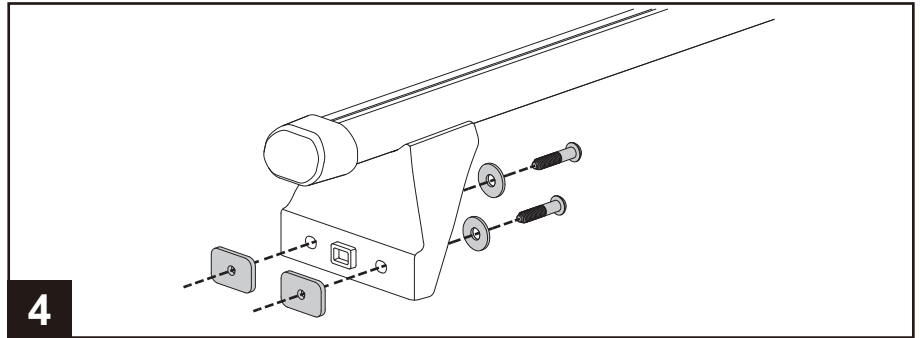


2 Place the base on the cross bar.

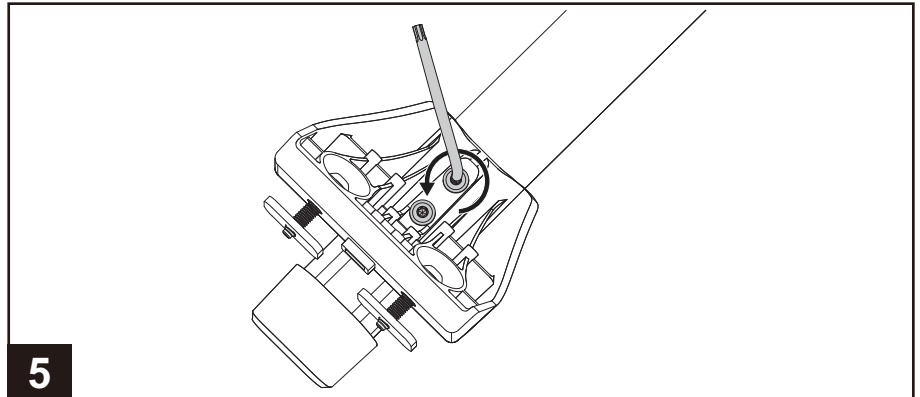


3 Screw in the screws.

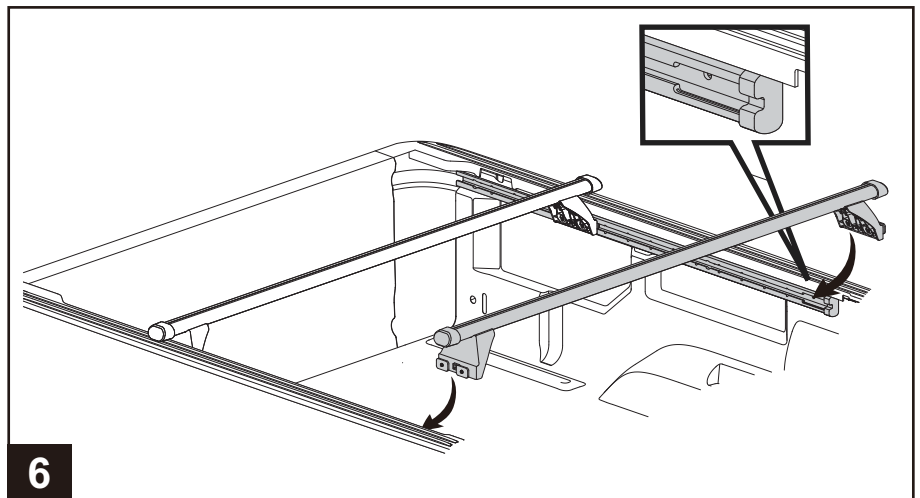
4) Loosely attach the screws, washers and nut plates to each of the 4 towers with the T-40 torx wrench.



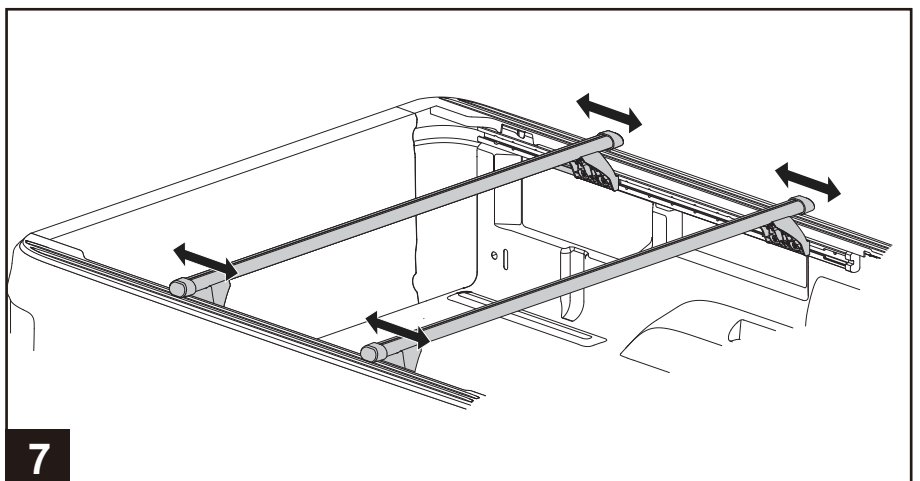
5) Use the T-30 torx wrench to loosen both tower screws on each of the 4 towers. Do not remove them.



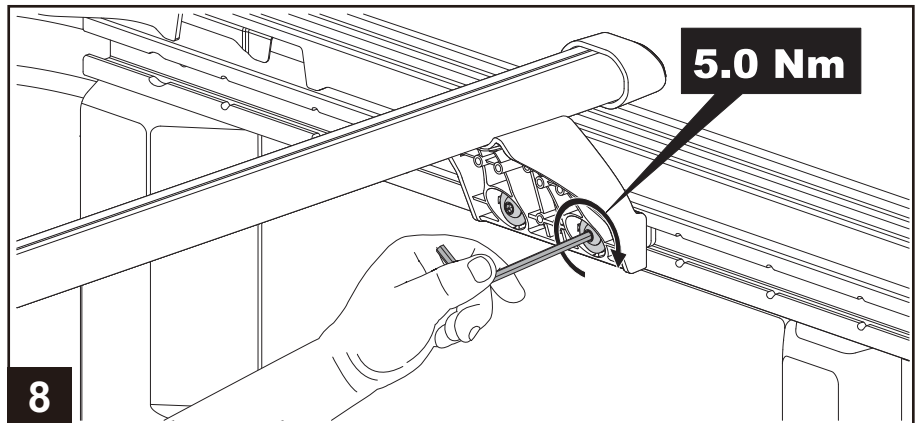
6) Install both crossbars. For each side, slide the plates into the track one plate at a time.



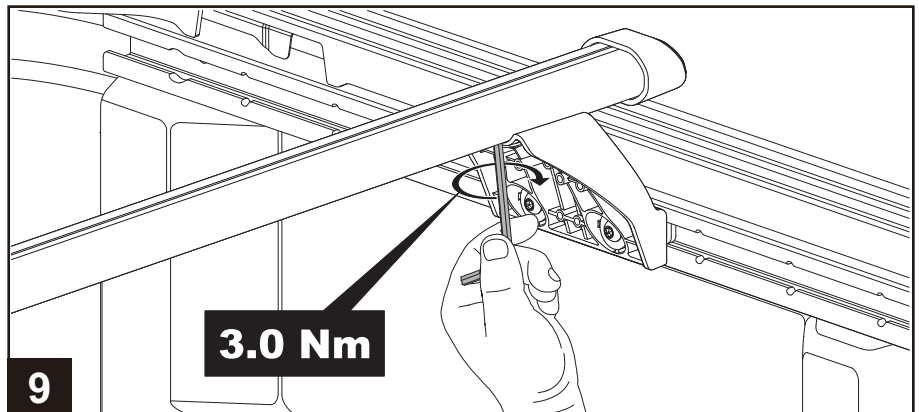
7) Position the crossbars to your desired location. Measure each side to ensure the crossbars are set at the same position on each side of the truck. The minimum recommended crossbar spread is 24".



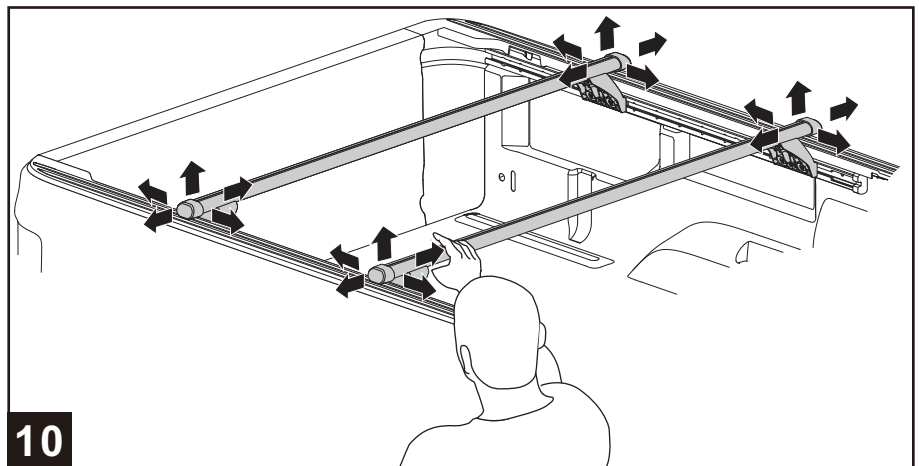
8) Using the T-40 torx wrench fully tighten the nut plate screws to 5.0 Nm (± 0.5).



9) Using the T-30 torx wrench fully tighten the tower screws to 3.0 Nm (± 0.5).



10) Check that the system is tight, re-tighten if necessary.



11) Fold and place instructions in vehicle glove box.

