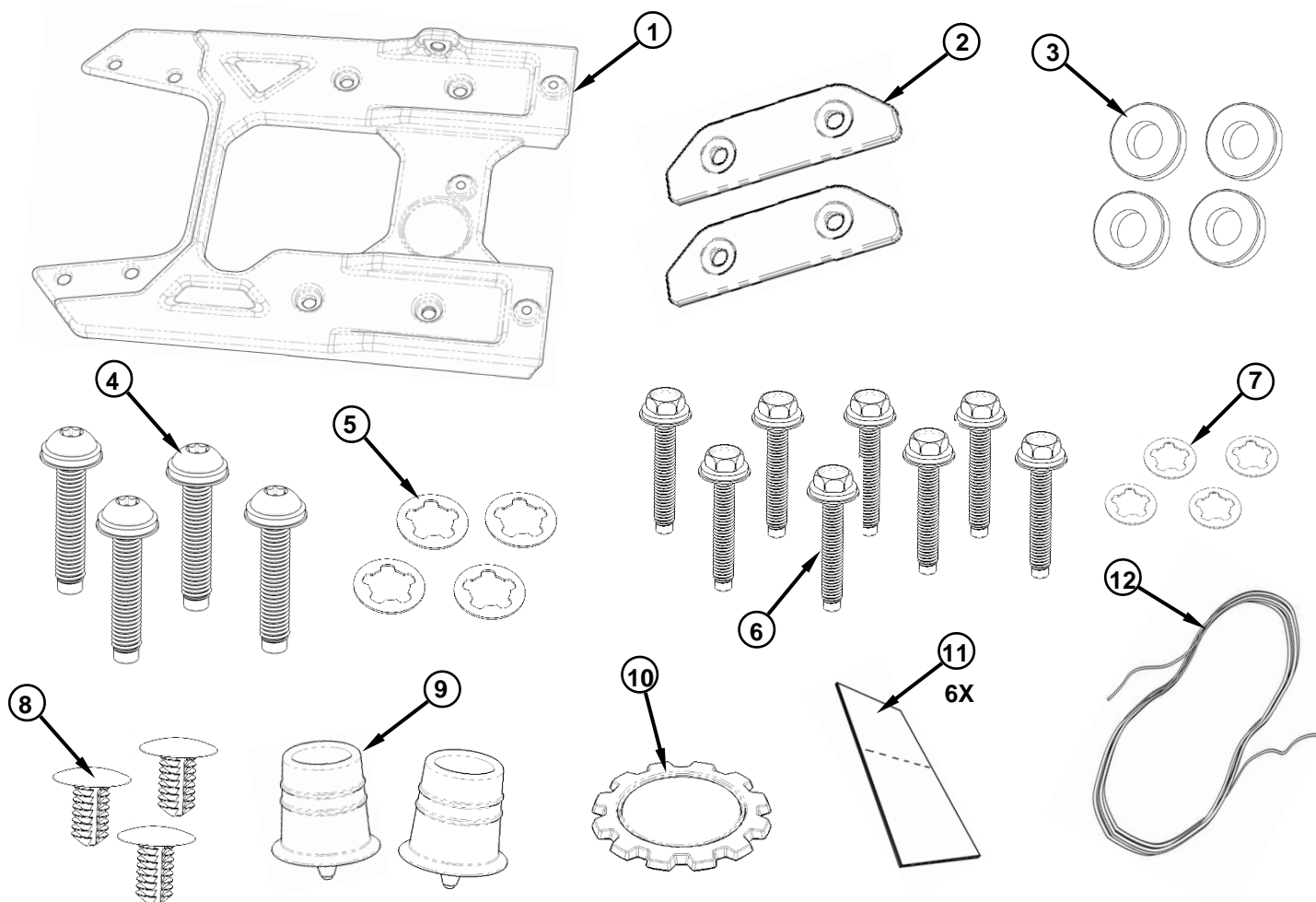




# Jeep Wrangler Swing Gate Reinforcement

www.mopar.com

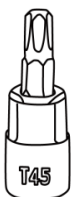


Call Out	Description	Quantity	Service Part (Y/N)	Part Number
1	Reinforcement Main Body	1	N	
2	Tire Carrier Spacer	2	Y	
3	Hinge Spacer	4	Y	
4	M10 Button Head Cap Screw T45	4	Y	
5	M10 Retention Washer ( <b>yellow</b> )	4	Y	68413358*
6	M8 13mm Hex Bolt with Washer	8	Y	
7	M8 Retention Washer ( <b>pink</b> )	4	Y	
8	M10 Plastic Plugs	3	Y	
9	Bumper Stabilizer	2	Y	68297542*
10	Jeep Badge	1	Y	82215764*
11	Cardboard Shim	6	N	
12	Twine	1	N	

**Non production larger spare tire use bracket kit number:**

82215355\*

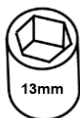
### Tools Required



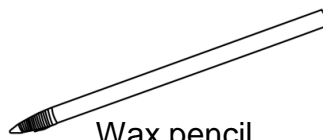
T45 socket



T55 socket



13mm socket



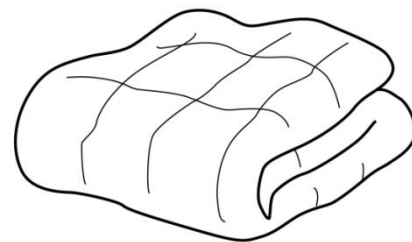
Wax pencil



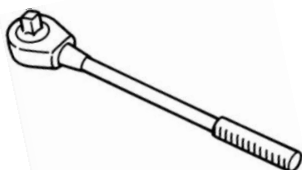
Straight edge



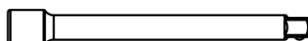
T40 Torx  
Screwdriver



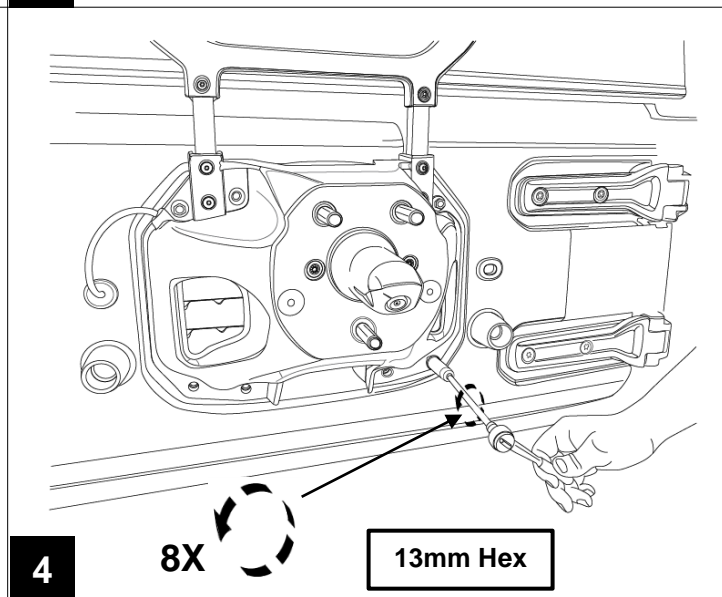
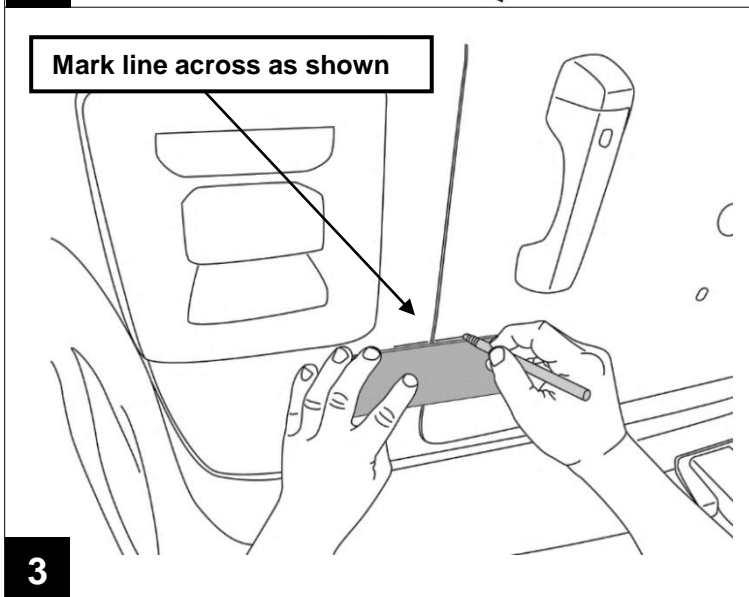
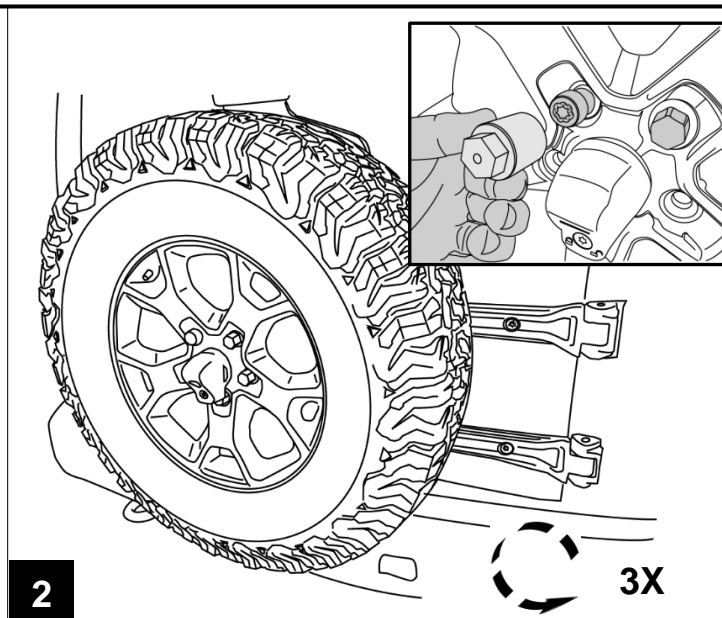
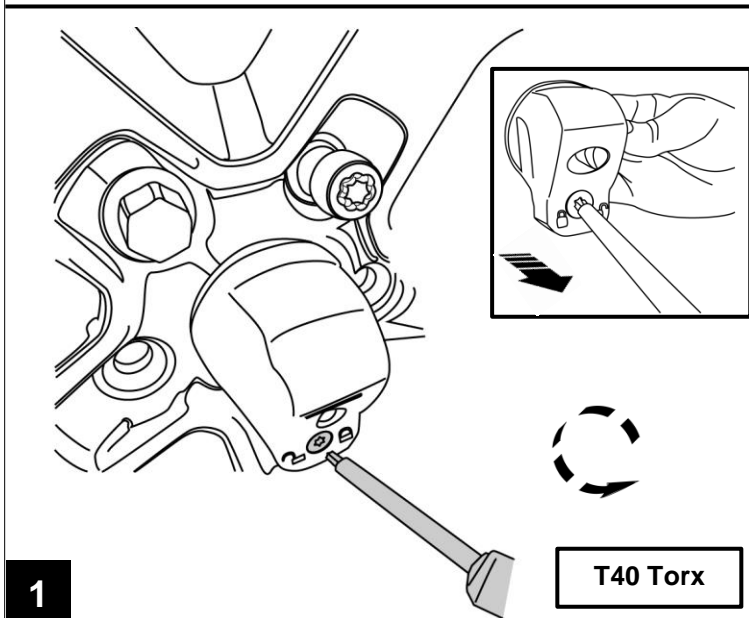
Blanket

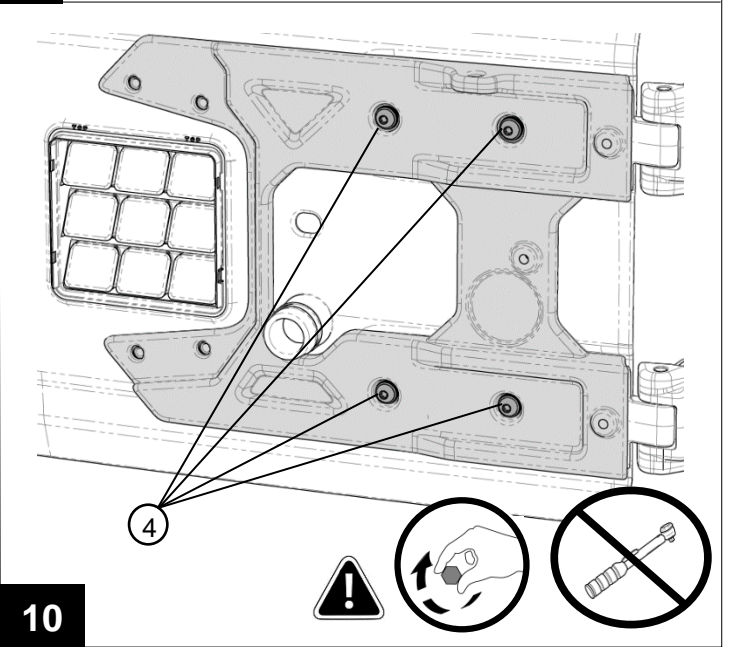
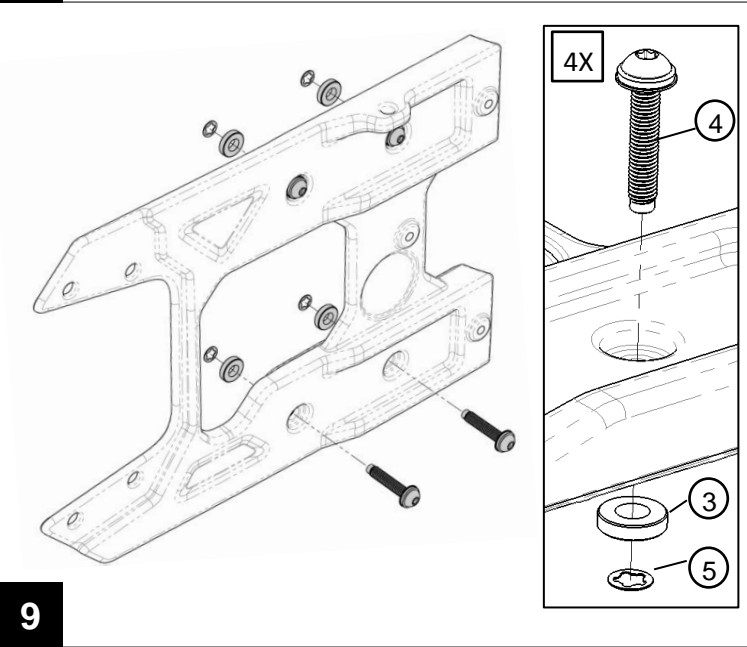
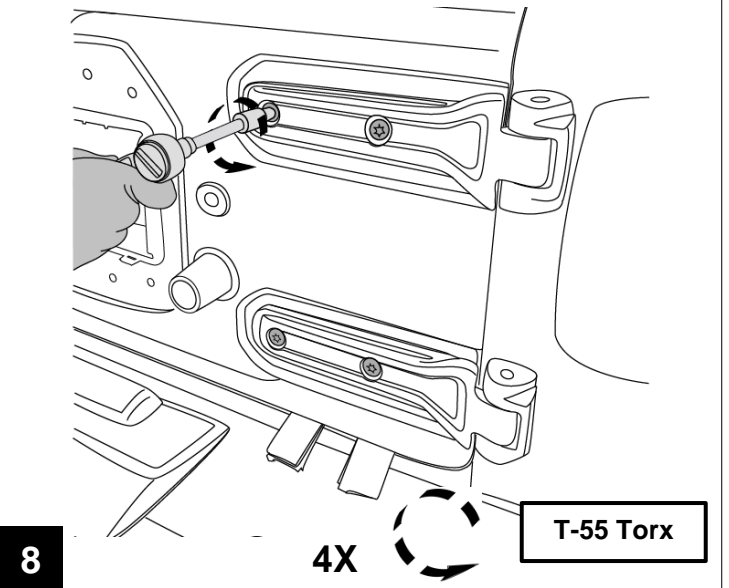
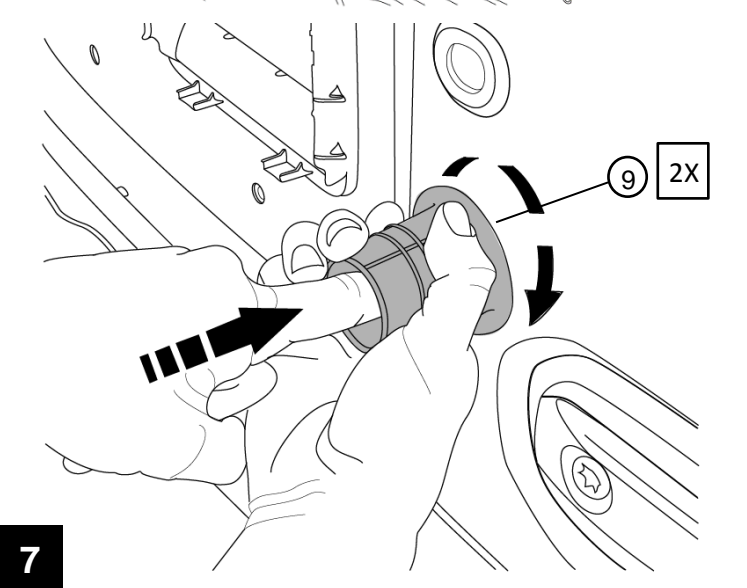
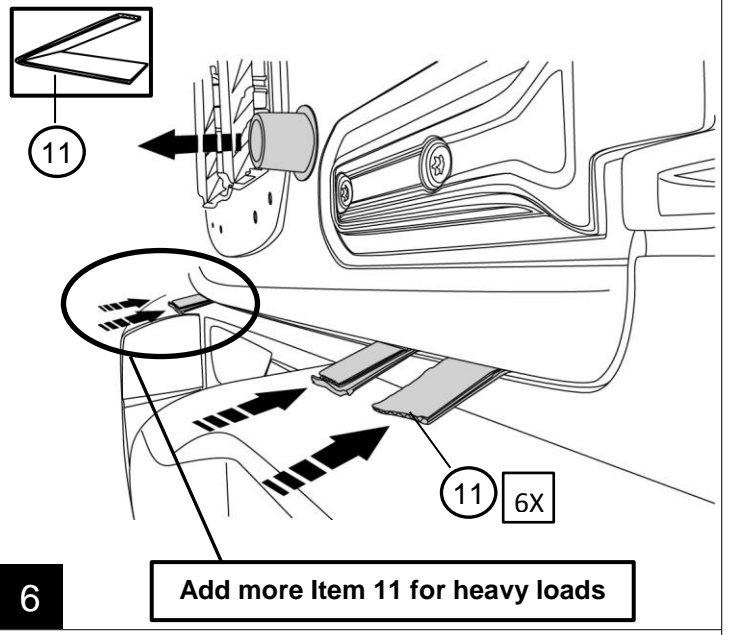
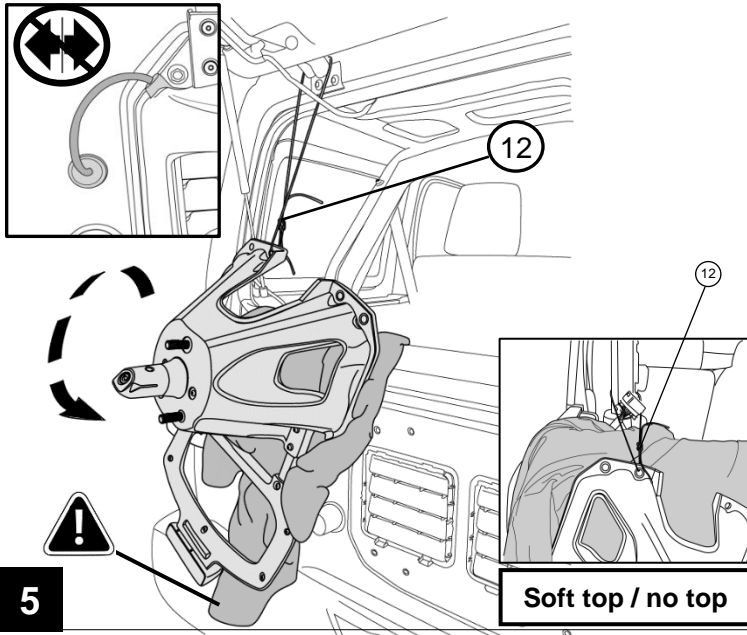


Socket Wrench



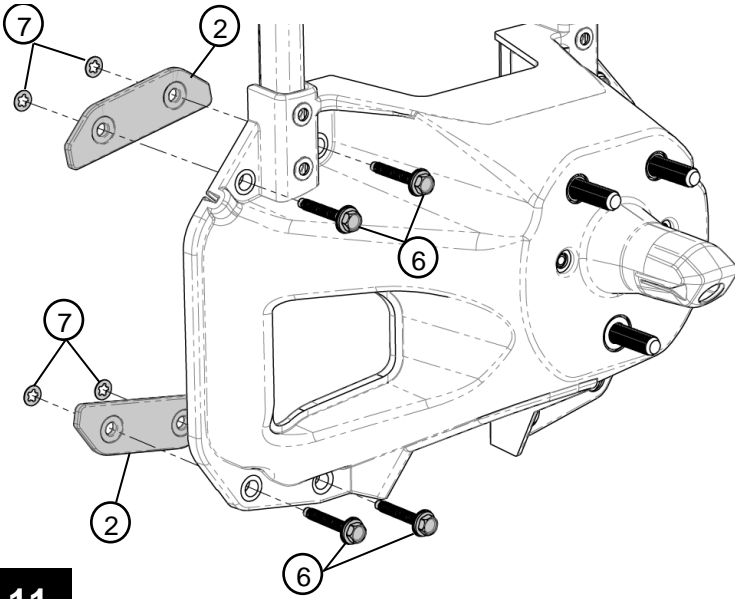
Extension



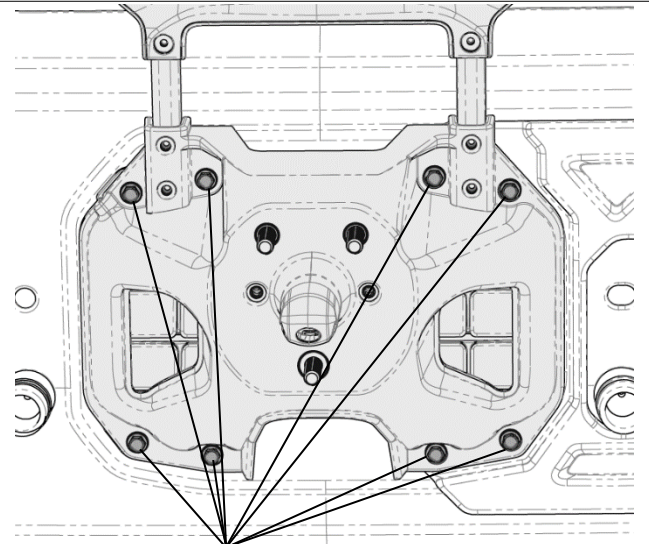




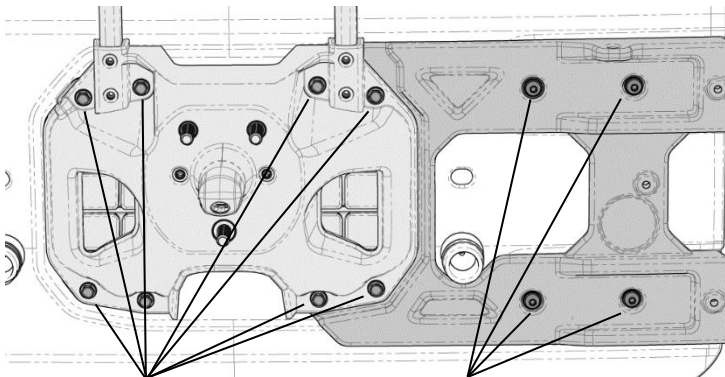
If using 82215355 \*See that I-Sheet for the next step.



11



12



2<sup>nd</sup>

1<sup>st</sup>

13mm Hex

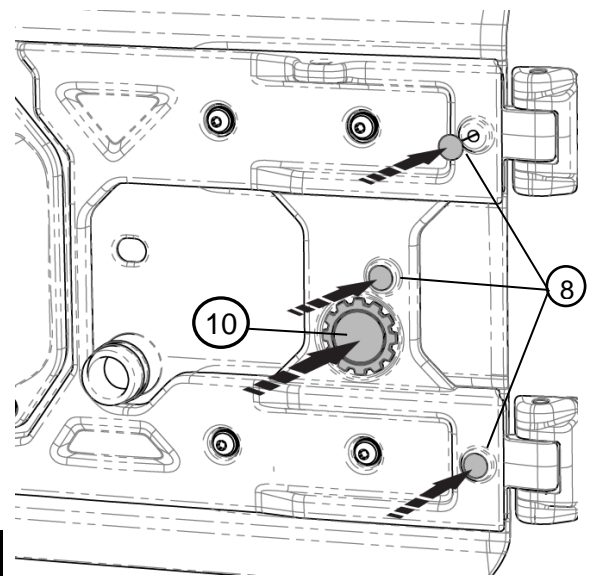
T-45 Torx

17.5 N·m (13 ft-lbs)

47.5 N·m (35 ft-lbs)

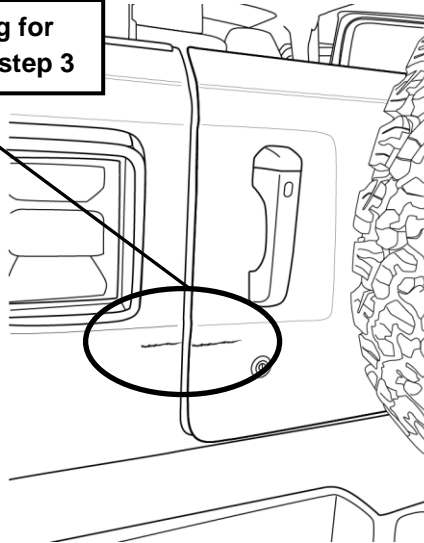


13

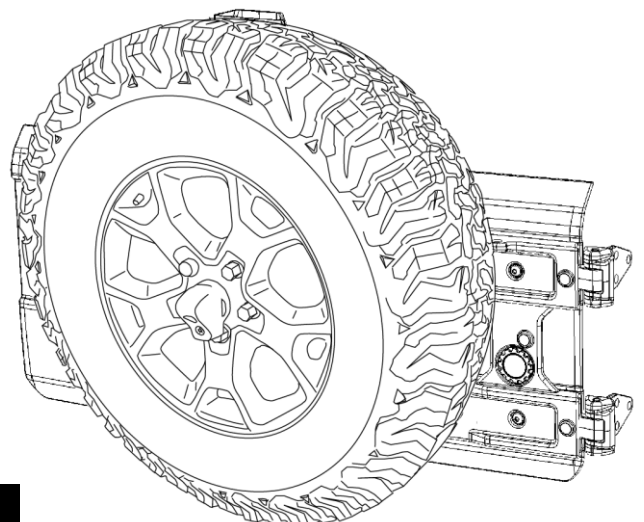


14

Check marking for alignment from step 3



15



16