

Part Number: PT278-42192

Kit Contents

Item #	Quantity Req'd.	Description
1	1	Crossbar Assy Front (long)
2	1	Crossbar Assy Rear (short)
3	1 (per side)	Cover Assy Front RH, LH
4	1 (per side)	Cover Assy Rear RH, LH
5	1	Hardware Bag

Hardware Bag Contents

Item #	Quantity Req'd.	Description
1	1	Key
2	1	User's Manual
3	4	Bolt M8-1.25 X 45mm (13mm)
4	4	Anti-Rotation Clip
5	1	Torque Tool (13mm)
6	1	Cap Cover Protection Bag

Additional Items Required For Installation

Item #	Quantity Req'd.	Description

Conflicts

MY19 and newer RAV4 Adventure Grade Models

Recommended Tools

Personal & Vehicle Protection	Notes
Safety Glasses	
Safety Gloves	
Blankets/Cloth	
Wrist & Belt Buckle Protection	
Special Tools	Notes
Installation Tools	Notes
Nylon Panel Removal Tool	
13mm socket and driver or t25 torx bit extension	
Torque wrench	
Special Chemicals	Notes

General Applicability

MY19 and newer RAV4 Models with OE Roof Rails

Recommended Sequence of Application


Item #	Accessory
1	
2	
3	


*Mandatory


Vehicle Service Parts (may be required for reassembly)


Item #	Quantity Req'd.	Description
1	1	Crossbar Assy Front (PT278-42192-FR)
2	1	Crossbar Assy Rear (PT278-42192-RR)
3	1-pc each	Cover Assy Front RH/LH (PT278-42192-AB)
4	1-pc each	Cover Assy Rear RH/LH (PT278-42192-AC)
5	1-pc each	Key & User's Manual (PT278-42192-AA)
6	2-pcs each	Bolt w/ Anti-Rotation Clip (PT278-42192-AE)
7	1	Torque Tool (13mm) (PT278-42192-TT)


Legend


 **STOP:** Damage to the vehicle may occur. Do not proceed until process has been complied with.

 **OPERATOR SAFETY:** Use caution to avoid risk of injury.

 **CAUTION:** A process that must be carefully observed in order to reduce the risk of damage to the accessory/vehicle and to ensure a quality installation.

 **TOOLS & EQUIPMENT:** Used in Figures calls out the specific tools and equipment recommended for this process.

 **REVISION MARK:** This mark highlights a change in installation with respect to previous issue.

 **SAFETY TORQUE:** This mark indicates that torque is related to safety.

Procedure

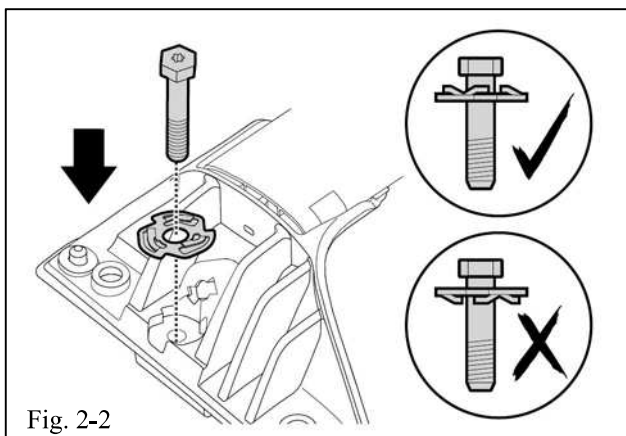
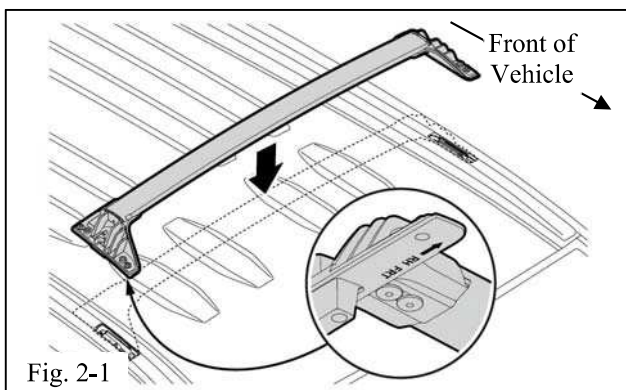
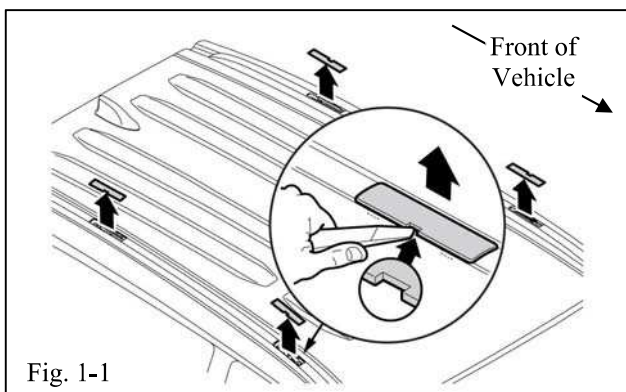
Care must be taken when installing this accessory to ensure damage does not occur to the vehicle. The installation of this accessory should follow approved guidelines to ensure a quality installation.

These guidelines can be found in the "Accessory Installation Practices" document.

This document covers such items as:-

- Vehicle Protection (use of covers and blankets, cleaning chemicals, etc.).
- Safety (eye protection, rechecking torque procedure, etc.).
- Vehicle Disassembly/Reassembly (panel removal, part storage, etc.).
- Electrical Component Disassembly/Reassembly (battery disconnection, connector removal, etc.).

Please see your Toyota dealer for a copy of this document.



1. Prepare the Roof Rail for Crossbar Installation

- STOP** (a) Using a nylon panel removal tool, carefully insert into the roof rail cap covers notch and pry four cap covers completely off from roof rail (Fig. 1-1).

! **NOTE:** Remove and save all four cap covers.

- (b) Neatly open the hardware bag and remove the M8 vehicle attachment bolts and anti-rotation clips.

2. Install the Front Crossbar

- (a) Locate "FRT RH/LH" with the directional arrow on the bottom of the right-hand side and left-hand side of the supports (Fig. 2-1).

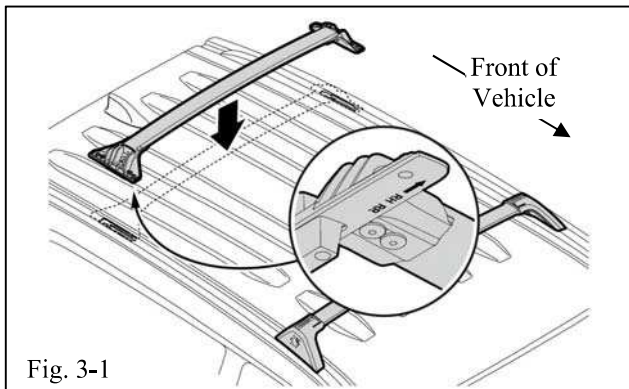
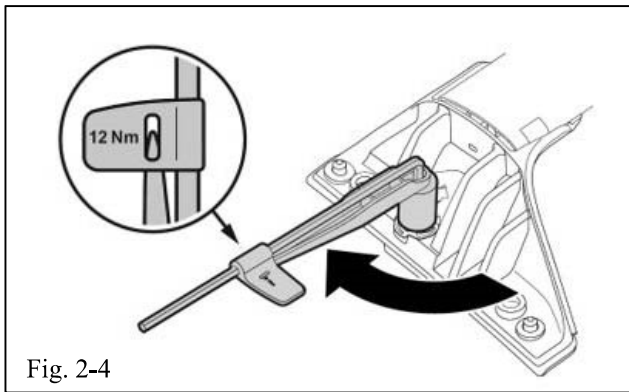
- (b) Place the crossbar supports inside the roof rail openings.

! **NOTE:** Align the crossbar support through hole with the roof rail support threaded hole.

- (c) Insert the M8 vehicle attachment bolt and the anti-rotation clip (Fig. 2-2).

STOP **NOTE:** The head of the bolt is on the same side as the prongs on the anti-rotation clips (Fig. 2-2).

- (d) Repeat on the other side.



- ⚠ (e) Make sure rubber pads are flushed to support of cross bar. If necessary, pull rubber tab through hole (Fig. 2-3).

(f) Hand start the bolts.

(g) Fasten bolts using electric wrench (None impact).

(h) Torque bolts to 12 N.m. (Fig. 2-4).

Torque: 12 N•m (106 in.lb)

3. Install the Rear Crossbar

(a) Locate “RR RH/LH” with the directional arrow on the bottom of the right-hand side and left-hand side of the supports (Fig. 3-1).

(b) Follow same directions as the front crossbar Steps 2(b) through 2(c).

4. Retorque All Bolts

(a) Retorque all four (4) bolts a second time.

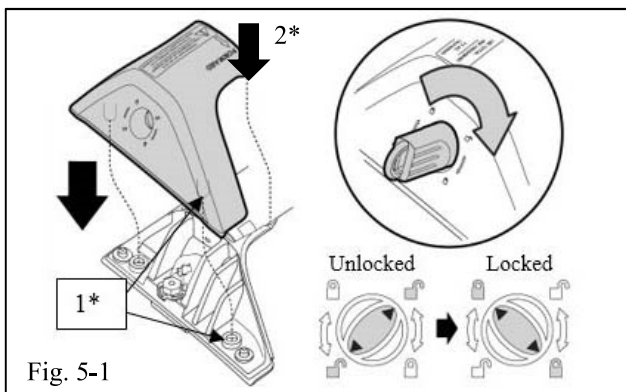
Torque: 12 N-m (106 in.lb)

⛔ **NOTE:** Confirm and check accessory function check points (Page 5).

5. Install Crossbar Covers

(a) Locate the corresponding Crossbar cover for each location:

- Rear, Right-hand
- Rear, Left-hand
- Front, Right-hand
- Front, Left-hand



! (b) Carefully align ball and socket joint 1*, making sure they are centered and apply slight downward force to engage the ball and socket until the cover snaps into place (Fig. 5-1).

(c) Apply slight force to the top (2*) of the cover to engage retention features to the cross bar (Fig. 5-1).

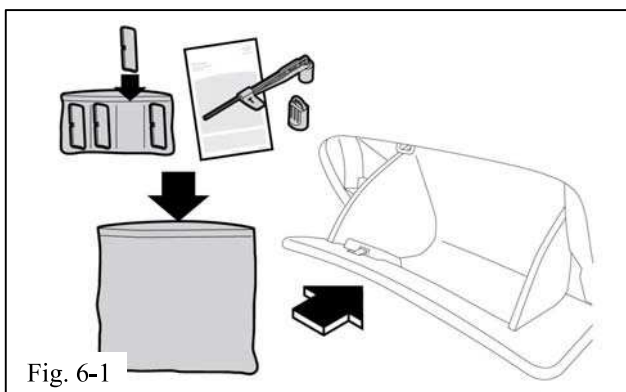
(d) Use the key supplied, rotate the lock 90° to the locked position (Fig. 5-1).

6. Complete the Installation.

STOP (a) Place all roof rail cap covers (4) into the cap cover protection bag (Fig. 6-1).

(b) Place the protection bag (containing roof rail cap covers), crossbar user's manual, torque tool, and key inside the hardware bag.

(c) Place the bag with contents inside the glove box compartment.



<u>Check:</u>	<u>Look For:</u>
<p><u>Accessory Function Checks</u></p> <ul style="list-style-type: none"> <input type="checkbox"/> Ensure crossbars are secure and in correct position <input type="checkbox"/> Cross bar orientation <input type="checkbox"/> Crossbar User’s Manual, Key, Side rail covers, and Torque Tool <input type="checkbox"/> Crossbar Pads are flush with roof rail 	<p>Cross bars should have snug fit to rail.</p> <p>“FORWARD” and directional arrow on top of Covers are in correct orientation.</p> <p>Protection bag with roof rail cap covers, torque tool, User’s manual, key, are placed inside vehicle glove box</p> <p>Protective pads should have less than 1.0 mm gap to rail.</p>
<p><u>Vehicle Function Checks</u></p> <ul style="list-style-type: none"> <input type="checkbox"/> 	
<p><u>Vehicle Appearance Check</u></p> <ul style="list-style-type: none"> <input type="checkbox"/> After accessory installation and removal of protective cover(s), perform a visual inspection. 	<p>Ensure no damage (including scuffs and scratches) was caused during the installation process.</p>