

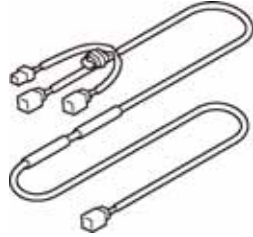
Accessory
<b>PUDDLE LIGHTS P/N 08V27-TBA-100</b>

Application
<b>2020 CIVIC</b>

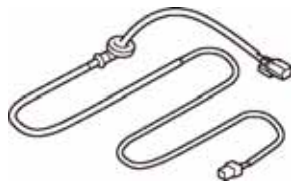
Publications No. <b>VERSION 1</b>
Issue Date <b>AUG 2019</b>

**PARTS LIST**

Puddle light harness



2 Subharnesses



2 Lights



2 Light trims



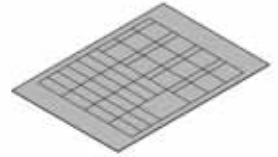
26 Wire ties



4 Short wire ties  
(Some may not be used)



Fuse label



8 Self-tapping screws



4 Spring nuts



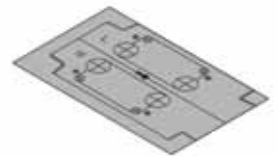
2 Clips  
(May not be used)



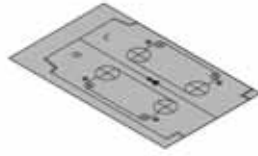
2 EPT sealers



Template (4 Door)  
(May not be used)



Template (2 Door)  
(May not be used)



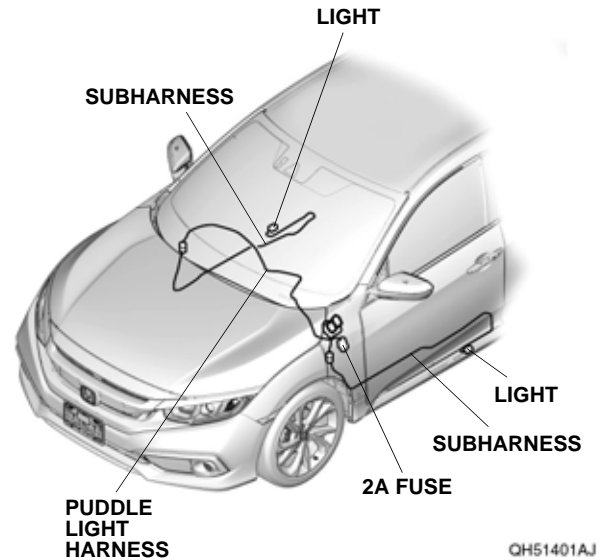
## TOOLS AND SUPPLIES REQUIRED

Phillips screwdriver  
Stubby Phillips screwdriver  
Steel wire  
Drill  
File  
Pushpin  
Hacksaw  
3 mm, 6 mm, 8 mm, and 10 mm Drill bits  
25 mm Hole saw  
Eye protection (face shield, safety goggles, etc.)  
Diagonal cutters  
10 mm Open end wrench  
Isopropyl alcohol  
Scissors  
Ruler  
Shop towel  
Masking tape  
Electrical tape  
Ratchet  
10 mm Socket  
Utility knife  
Torque wrench

*The following tools are available through the Honda Tool and Equipment Program. On the iN, click on Service > Service Bay > Tool and Equipment Program, then enter the number under "Search." Or, call 888-424-6857.*

- Trim Tool Set (T/N SOJATP2014)
- Plastic Trim Tool (T/N SILTRIMTL10)

## Illustration of the Puddle Lights Installed in the Vehicle



## INSTALLATION

**Customer Information:** The information in this installation instruction is intended for use only by skilled technicians who have the proper tools, equipment, and training to correctly and safely add equipment to your vehicle. These procedures should not be attempted by "do-it-yourselfers."

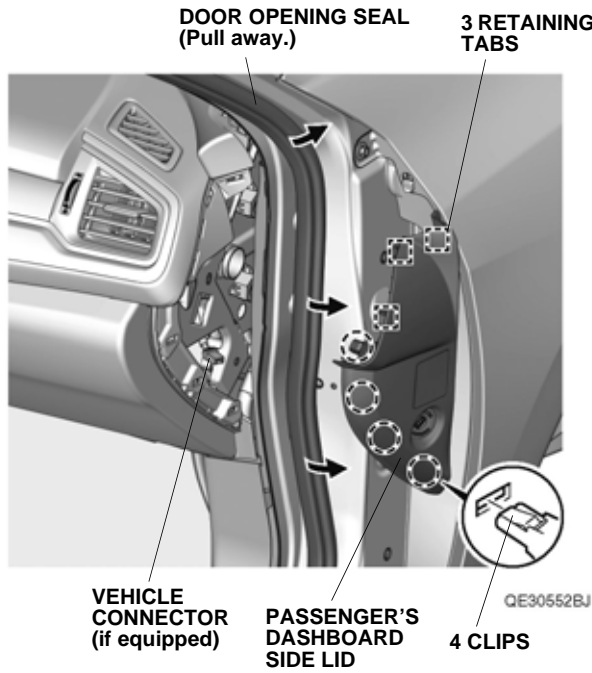
1. Disconnect the negative cable from the battery, then wait at least three minutes before starting work.

2 Door models, go to step 24.

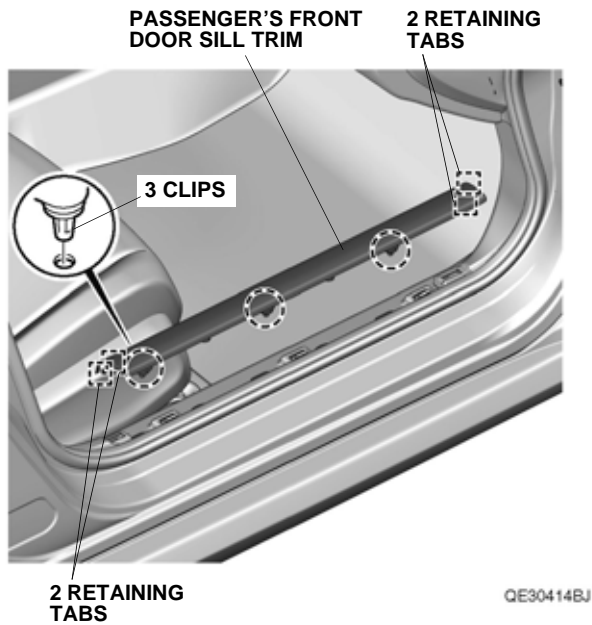
4 Door and 5 Door models, continue with step 2.

### 4 Door and 5 Door

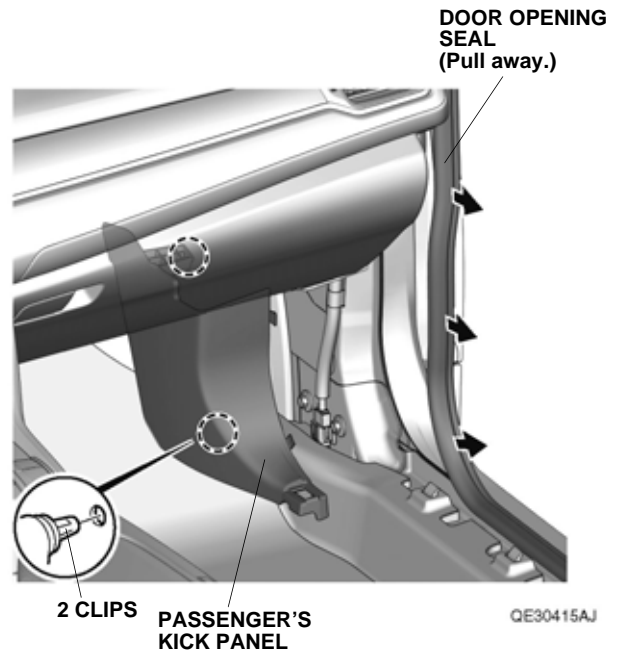
2. Remove the passenger's dashboard side lid, and unplug the vehicle connector, if equipped. Pull away the door opening seal.



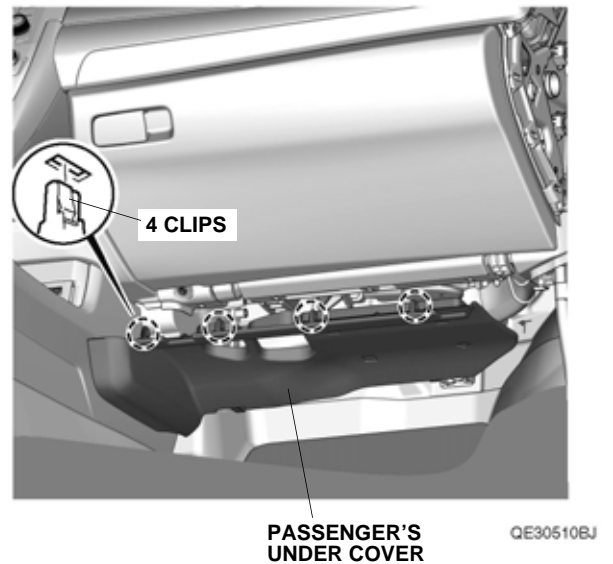
3. Remove the passenger's front door sill trim.



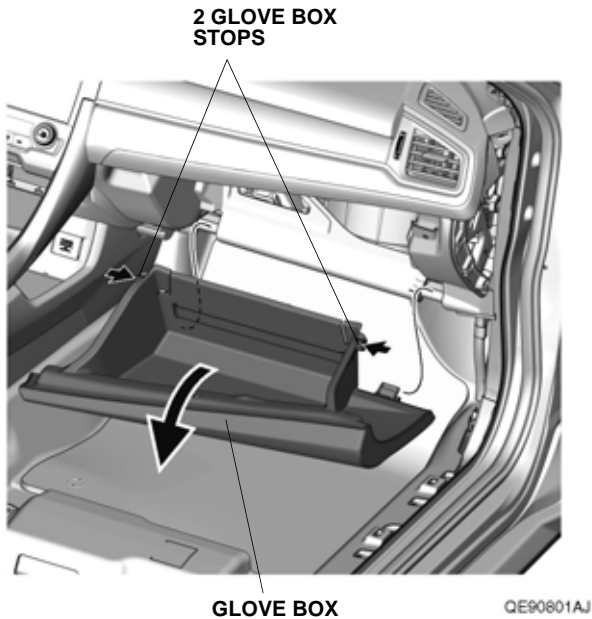
4. Pull away the door opening seal, and remove the passenger's kick panel.



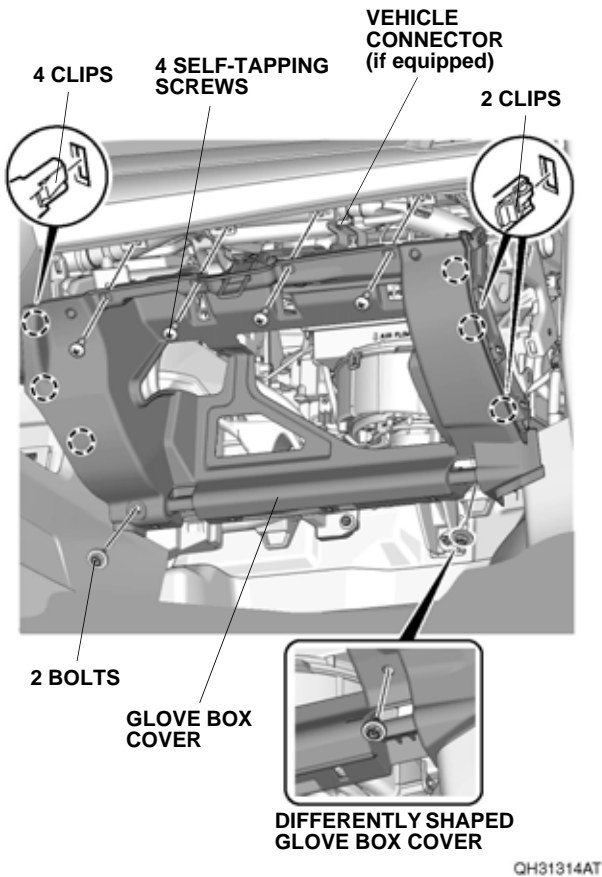
5. Remove the passenger's under cover.



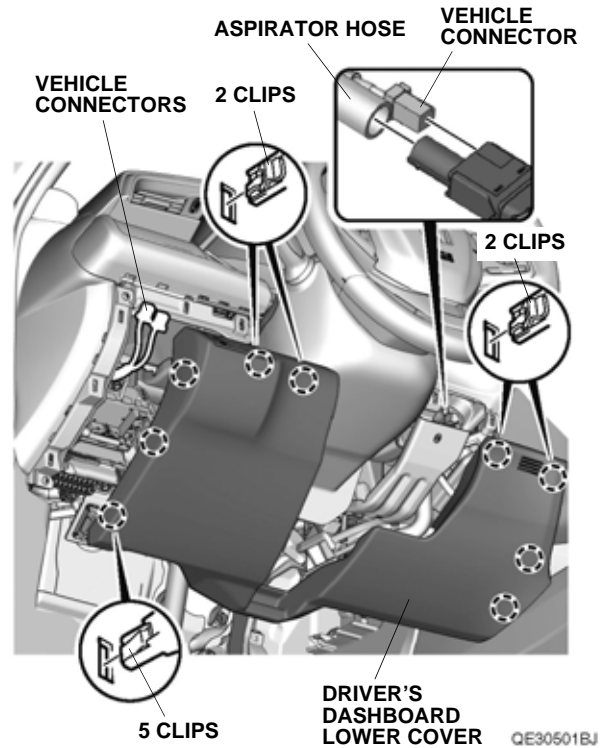
- Open the glove box, push inward on the glove box stops and remove the glove box.



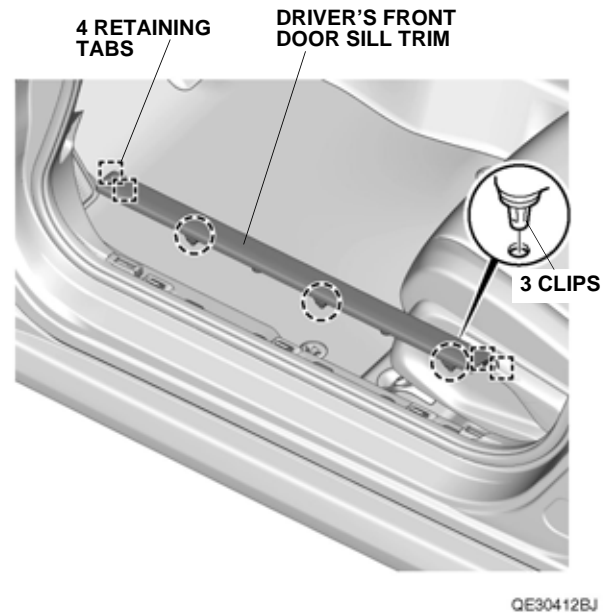
- Remove the glove box cover, and unplug the vehicle connector, if equipped.



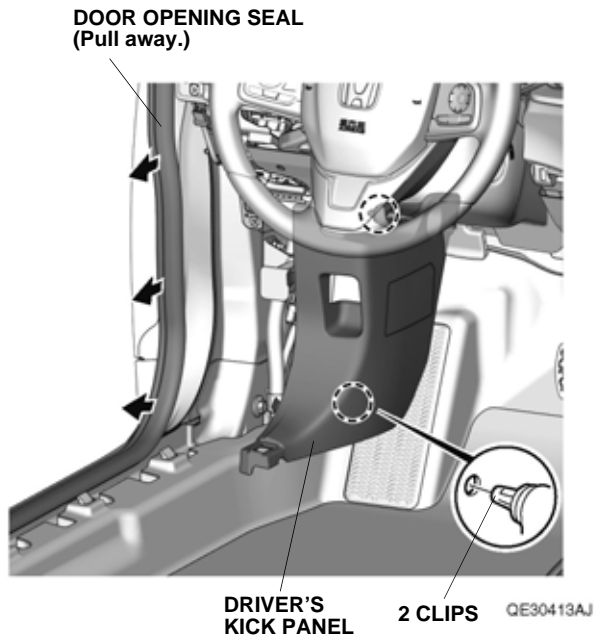
- Remove the driver's dashboard lower cover, unplug the vehicle connectors and aspirator hose.



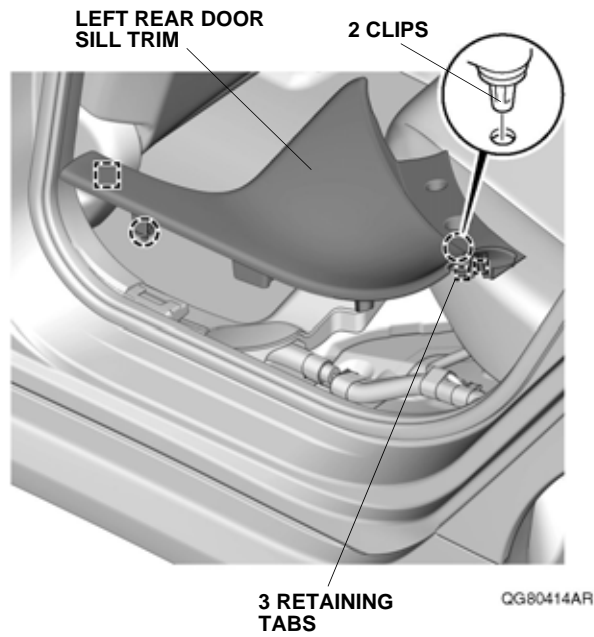
- Remove the driver's front door sill trim.



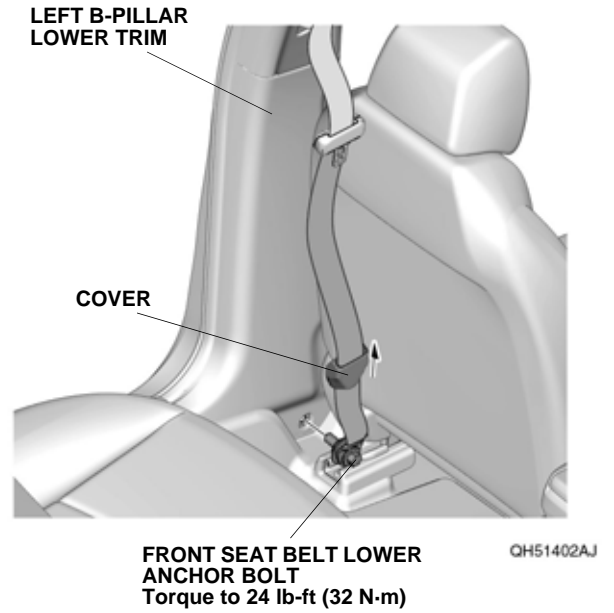
- Pull away the door opening seal, and remove the driver's kick panel.



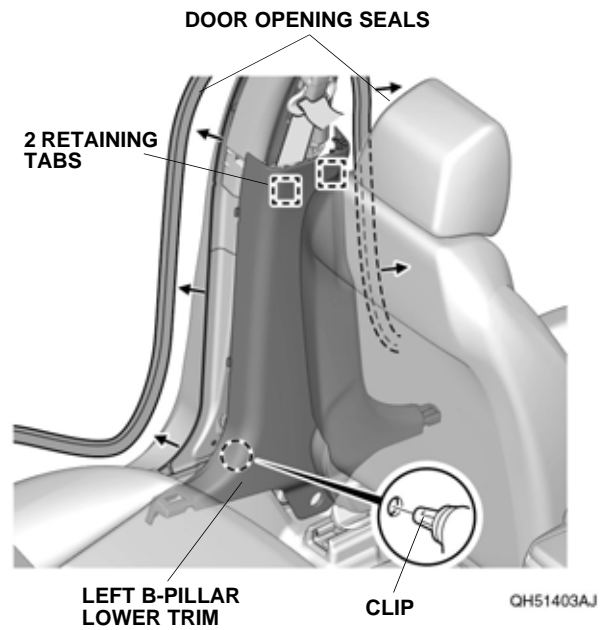
- Remove the left rear door sill trim.



- Remove the front seat belt lower anchor bolt.

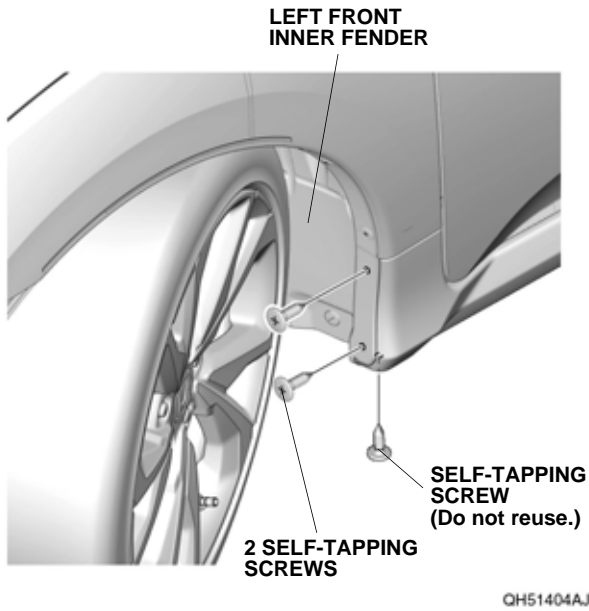


- Pull away the door opening seal, and remove the left B-pillar lower trim.

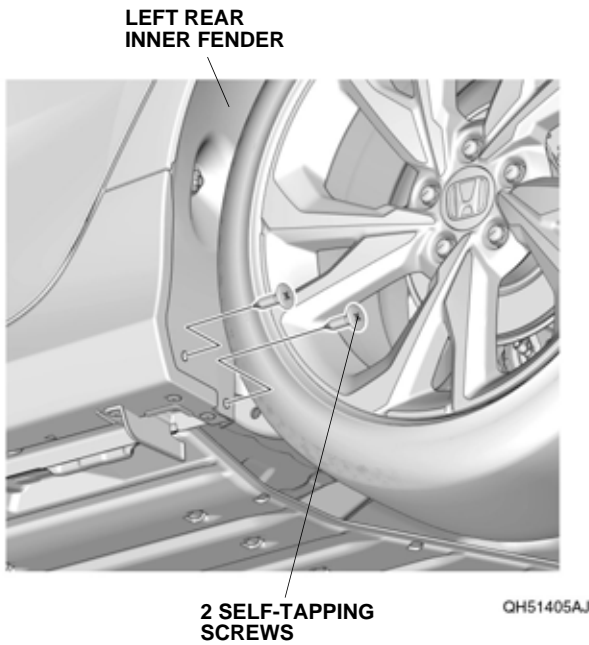


- Repeat steps 11 through 13 on the right side of the vehicle.

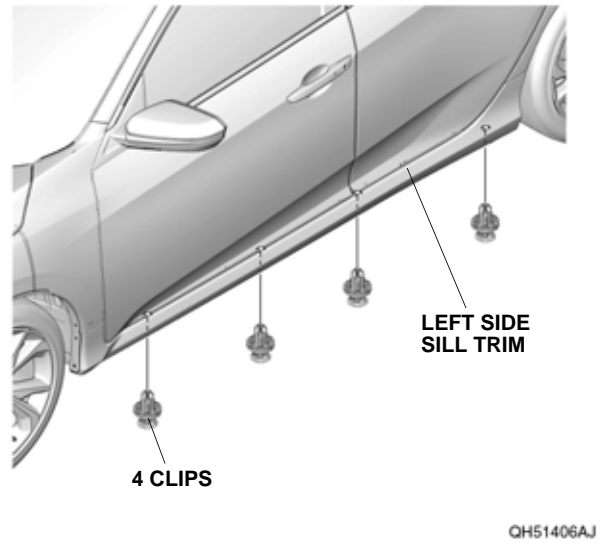
15. Turn the steering wheel fully counterclockwise.



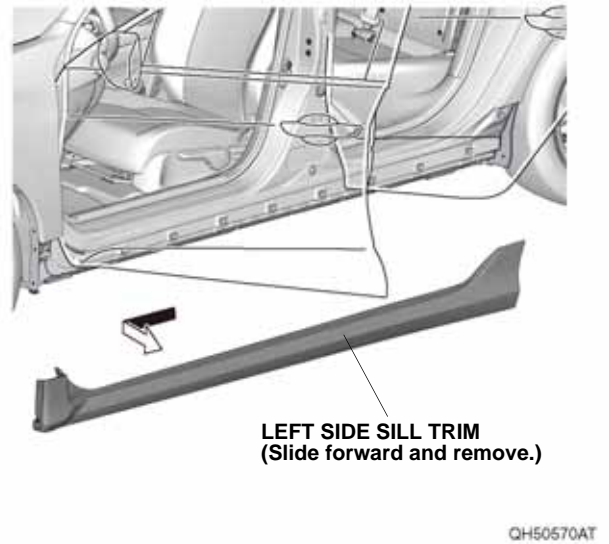
16. Remove the three self-tapping screws shown above.  
17. Remove the two self-tapping screws shown below.



18. Remove the four clips from the left side sill trim.

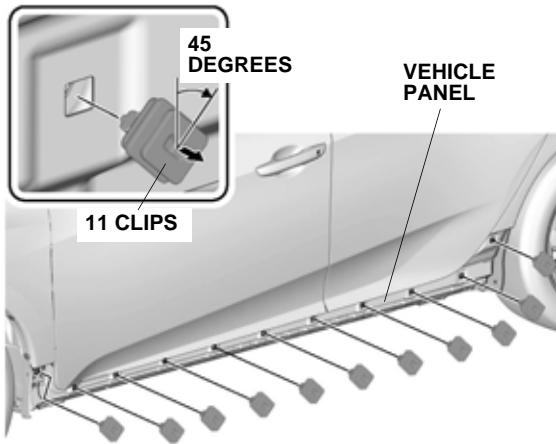


19. Open the side doors.



20. Remove the left side sill trim.

21. Close the side doors.

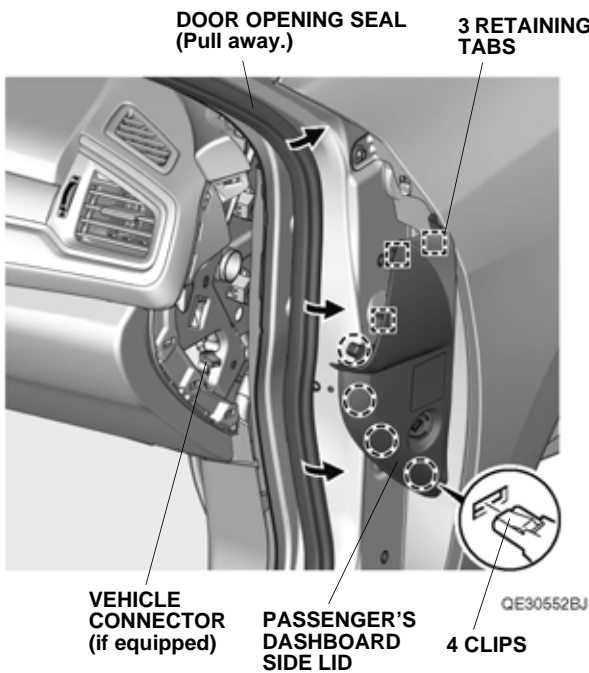


QE32424AH

- 22. Remove 11 clips from vehicle panel.
- 23. Turn the steering wheel fully clockwise, and repeat steps 16 through 22 on the right side of the vehicle. Go to step 48.

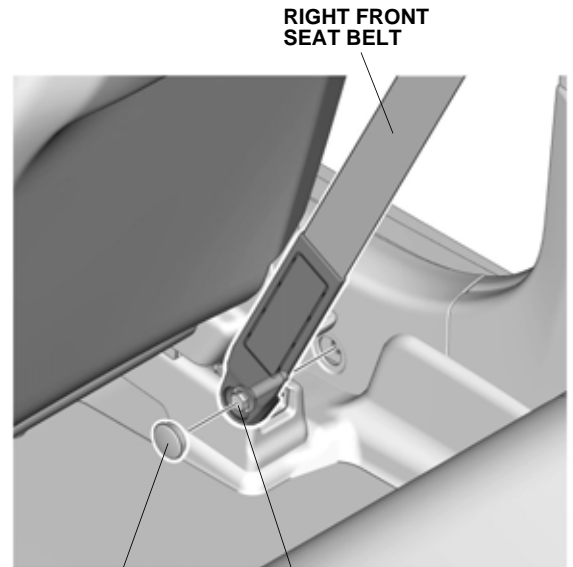
**2 Door**

24. Remove the passenger's dashboard side lid, and unplug the vehicle connector, if equipped. Pull away the door opening seal.



QE30552BJ

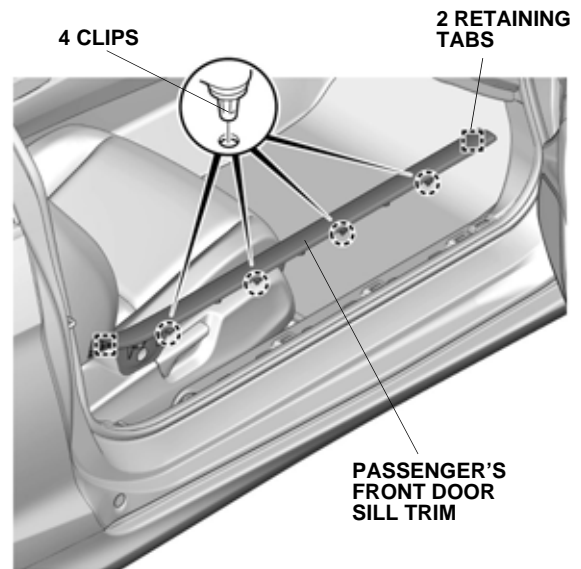
25. Remove the front seat belt lower anchor bolt.



QH51407AJ

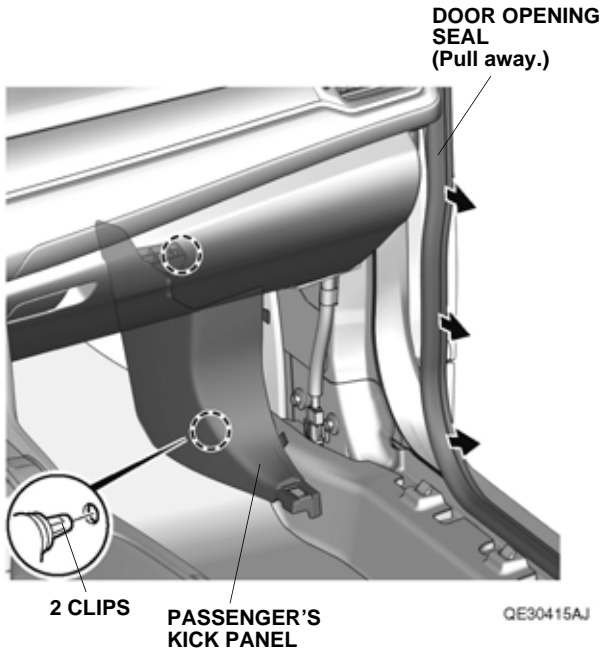
**FRONT SEAT BELT LOWER ANCHOR BOLT**  
Torque to 24 lb-ft (32 N·m)

26. Remove the passenger's front door sill trim.

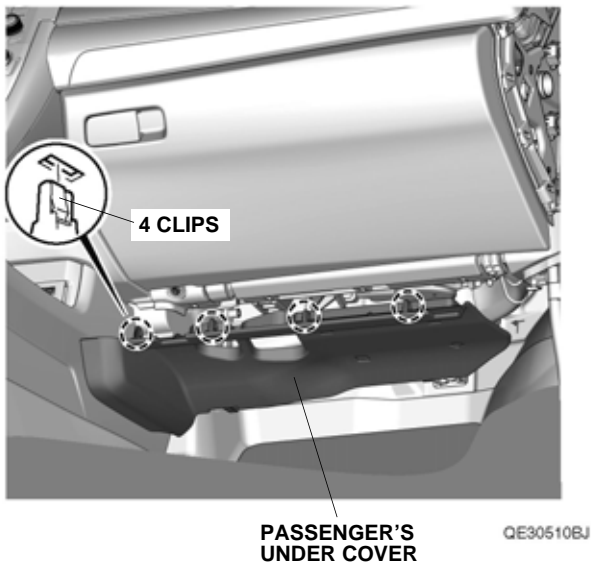


QH51408AJ

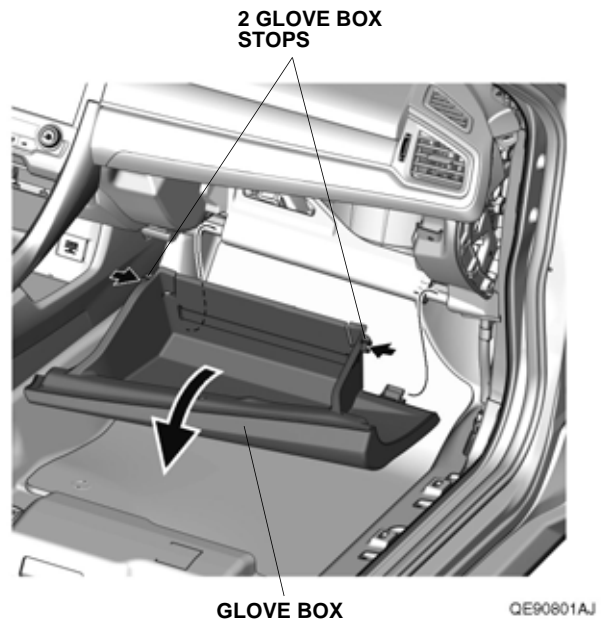
27. Pull away the door opening seal, and remove the passenger's kick panel.



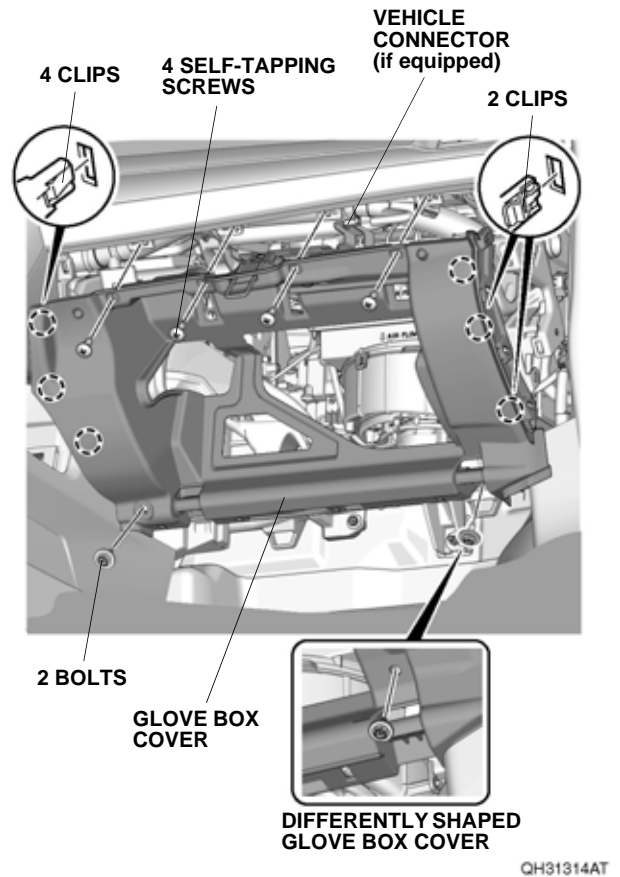
28. Remove the passenger's under cover.



29. Open the glove box, push inward on the glove box stops and remove the glove box.

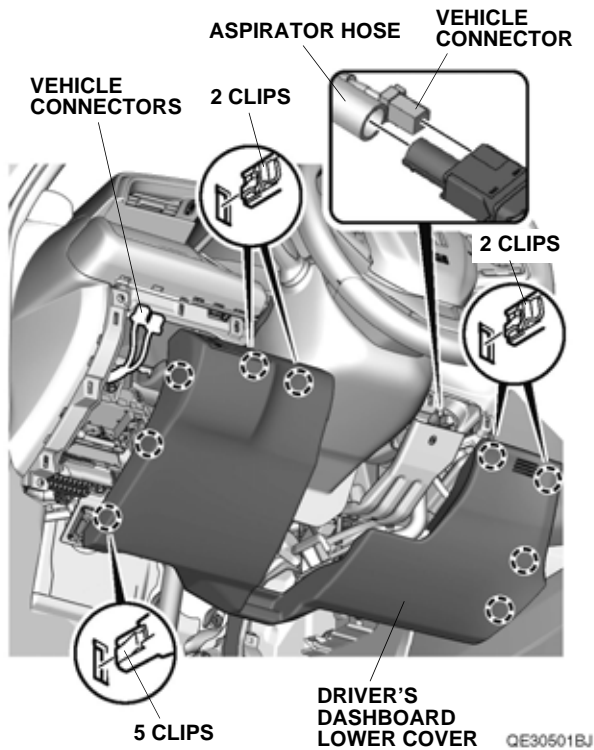


30. Remove the glove box cover, and unplug the vehicle connector, if equipped.

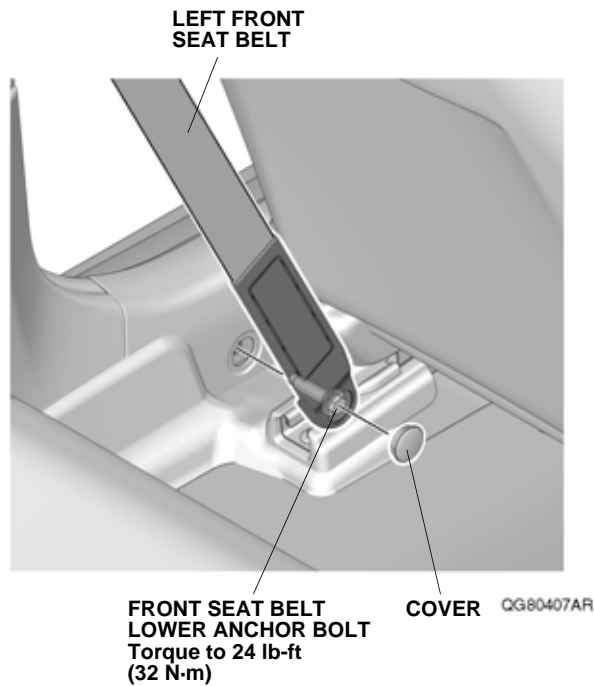




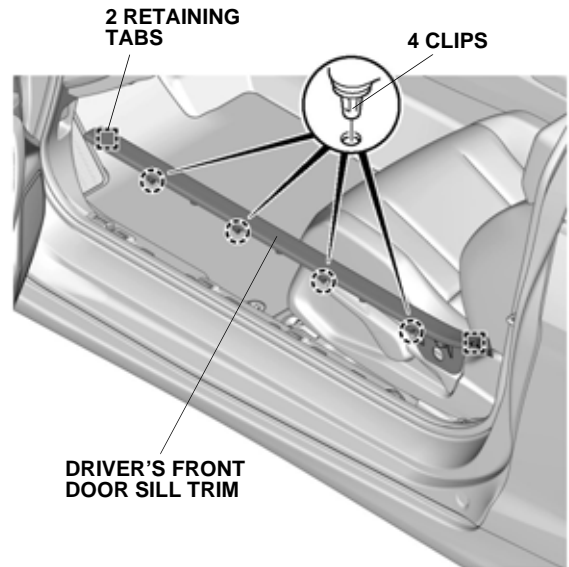
31. Remove the driver's dashboard lower cover, unplug the vehicle connectors and aspirator hose.



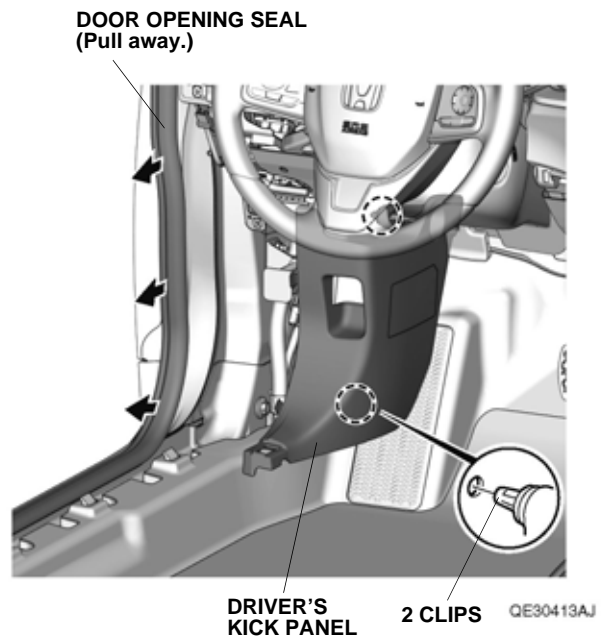
32. Remove the front seat belt lower anchor bolt.



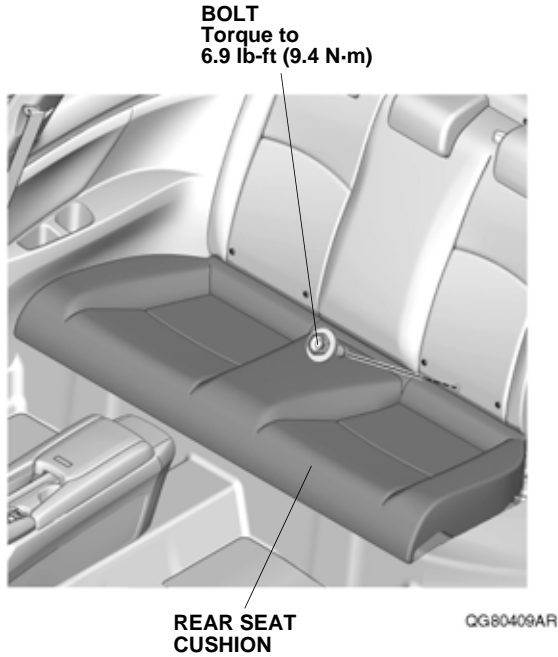
33. Remove the driver's front door sill trim.



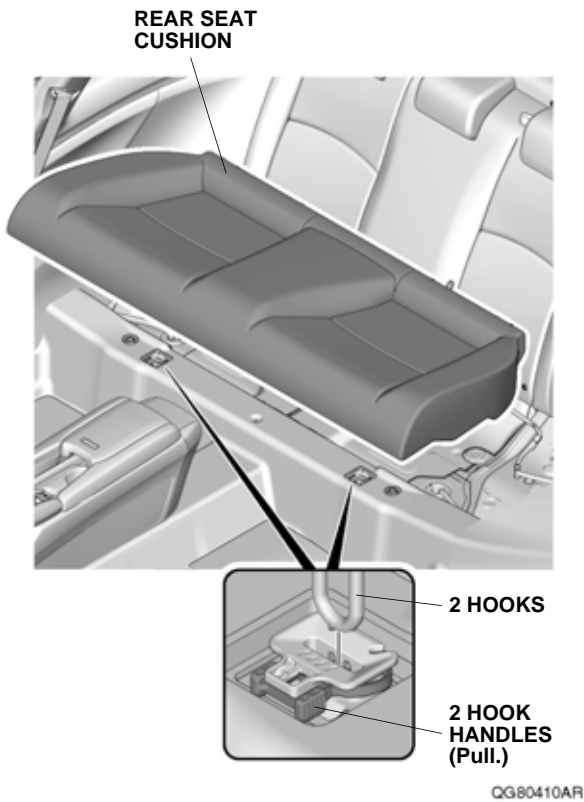
34. Pull away the door opening seal, and remove the driver's kick panel.



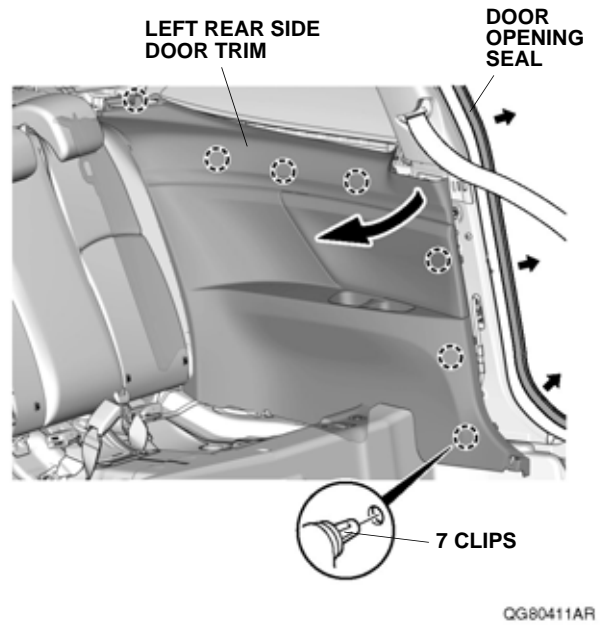
35. Remove the bolt from the rear seat cushion.



36. Remove the rear seat cushion.

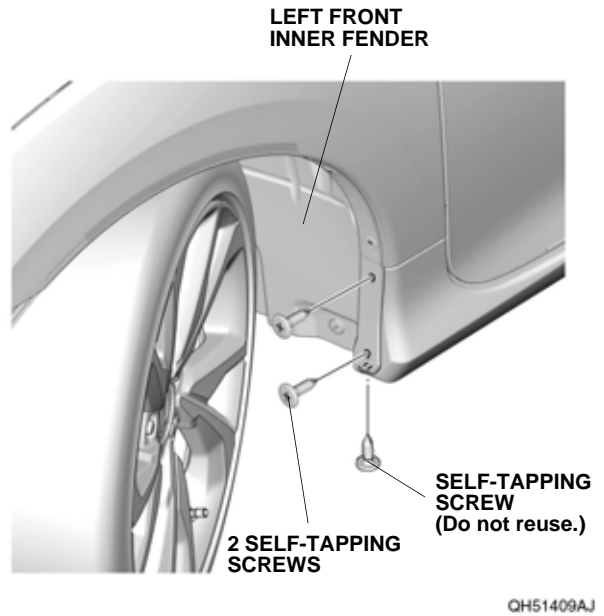


37. Pull away the door opening seal, and release the left rear side door trim.



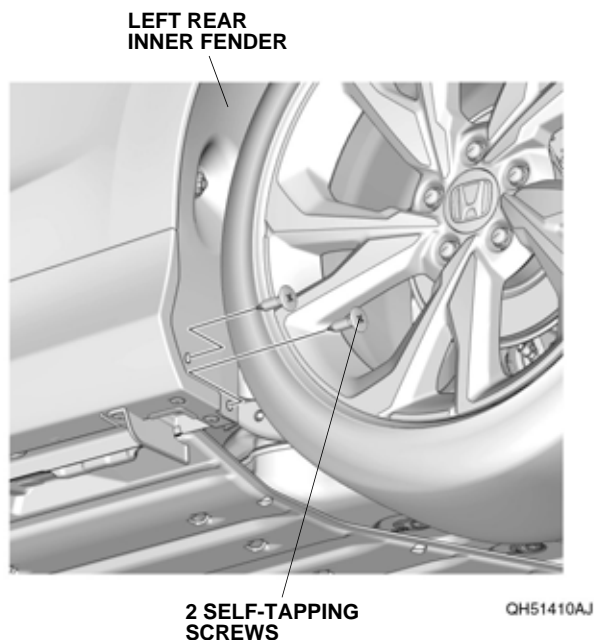
38. Repeat step 37 on the right side of the vehicle.

39. Turn the steering wheel fully counterclockwise.

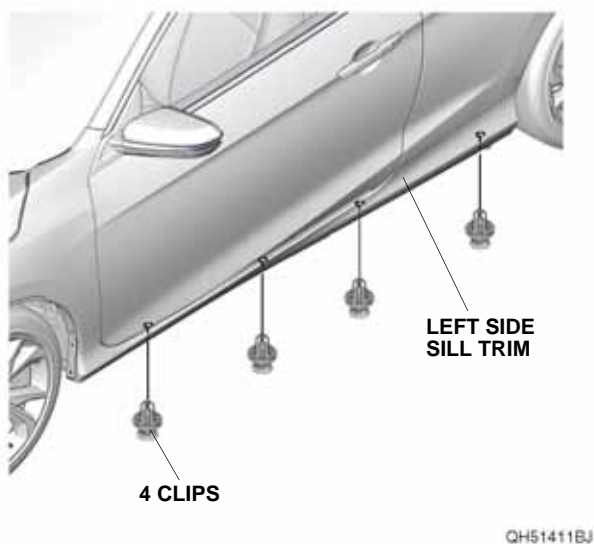


40. Remove three self-tapping screws shown above.

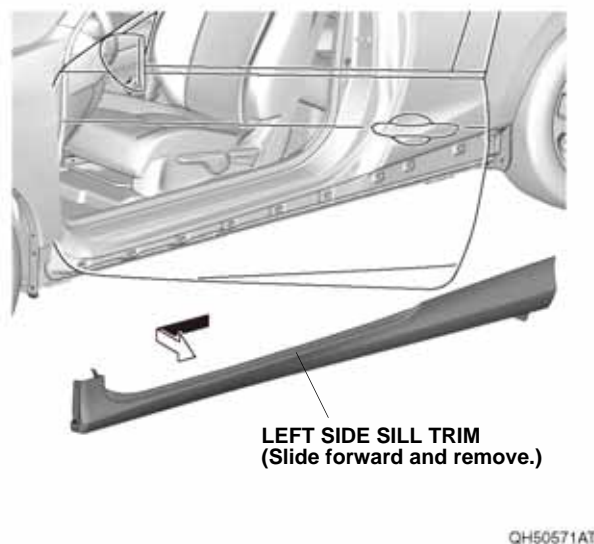
41. Remove two self-tapping screws shown below.



42. Remove four clips from the left side sill trim.

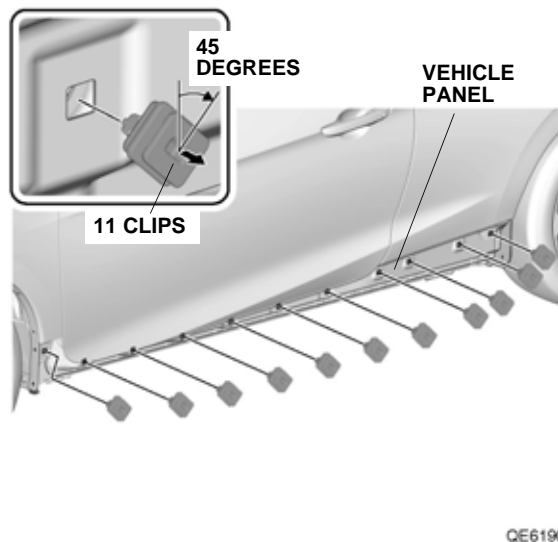


43. Open the left door.



44. Remove the left side sill trim.

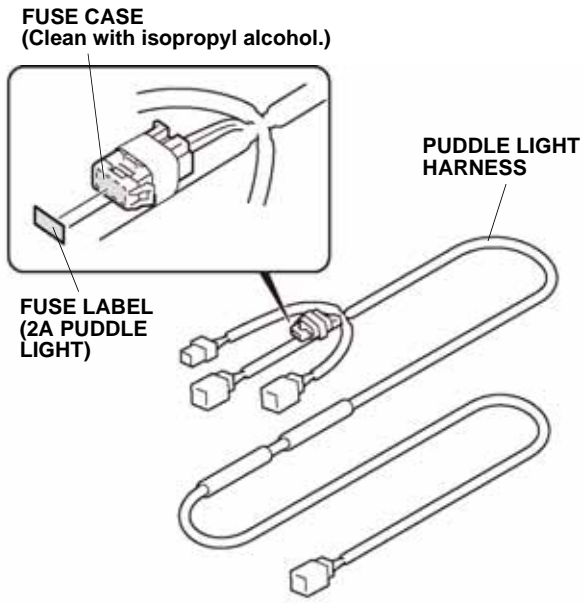
45. Close the left door.



46. Remove 11 clips from vehicle panel.

47. Turn the steering wheel fully clockwise, and repeat steps 40 through 46 on the right side of the vehicle.

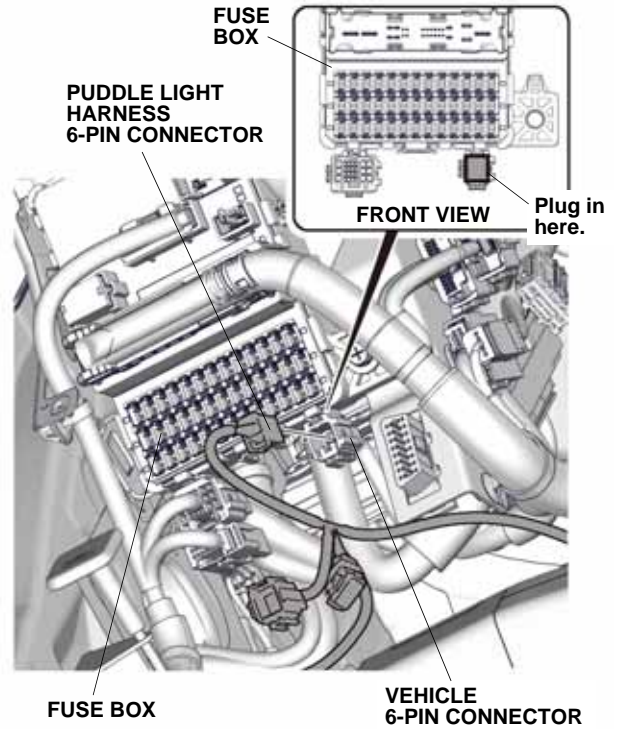
48. Using isopropyl alcohol on a shop towel, thoroughly clean the fuse case where the fuse label will attach.



QH50501AT

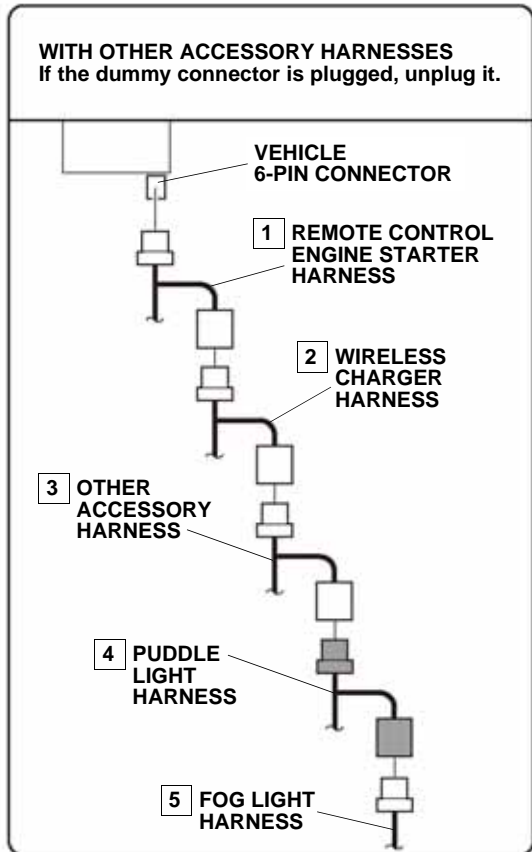
49. Attach the fuse label to the puddle light harness fuse case.

50. Plug the puddle light harness 6-pin connector into the vehicle 6-pin connector.



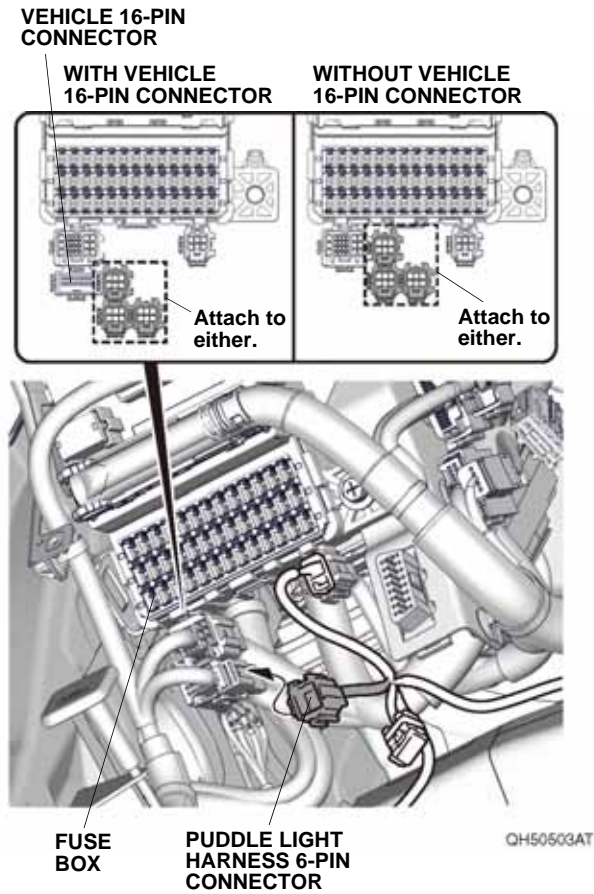
FUSE BOX

VEHICLE 6-PIN CONNECTOR

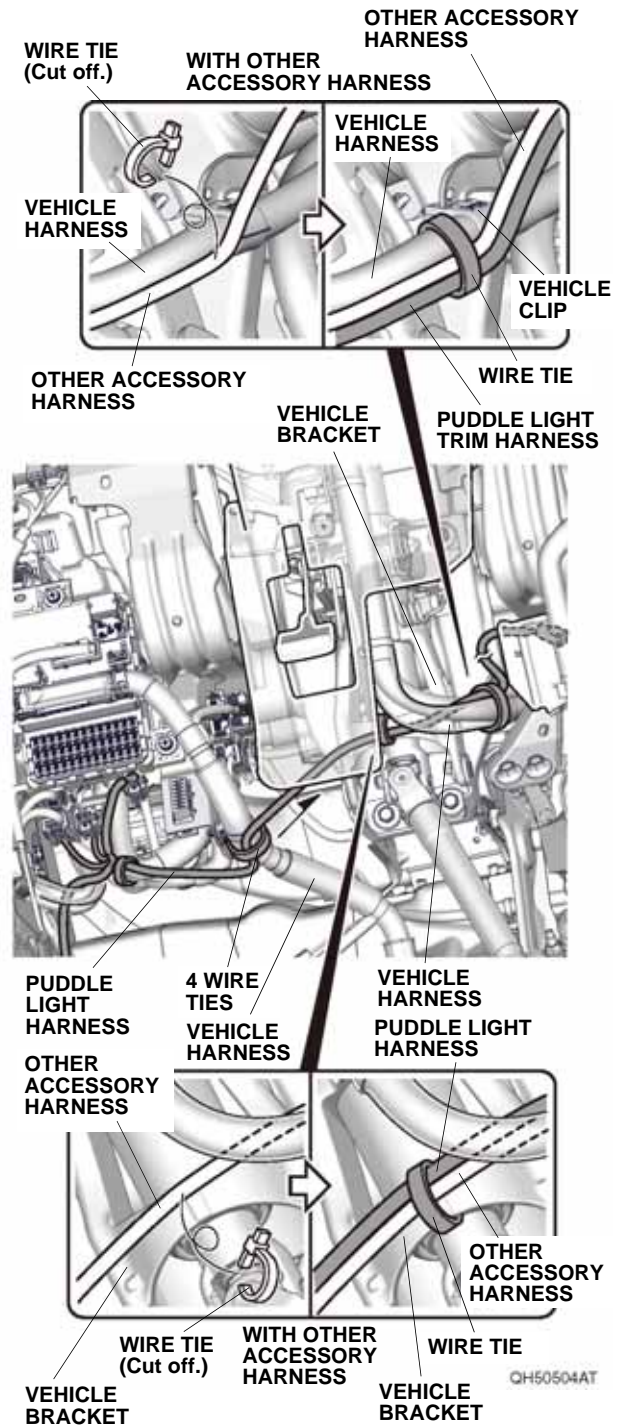


QH50502BT

51. Attach the puddle light harness 6-pin connector to any of the positions shown.

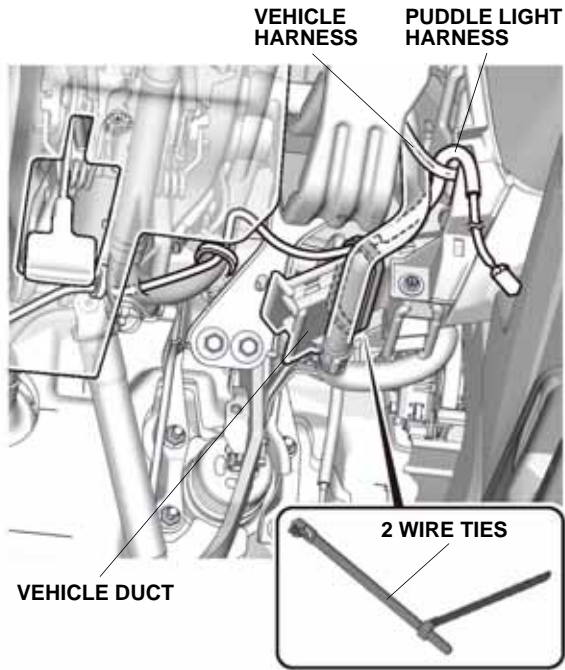


52. Route the puddle light harness as shown. Secure the puddle light harness to the vehicle harness and bracket with four wire ties.



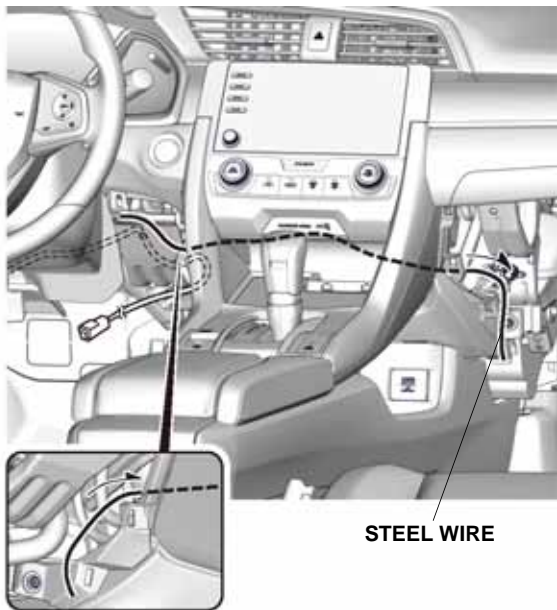


53. Secure the puddle light harness to the vehicle duct with two wire ties.



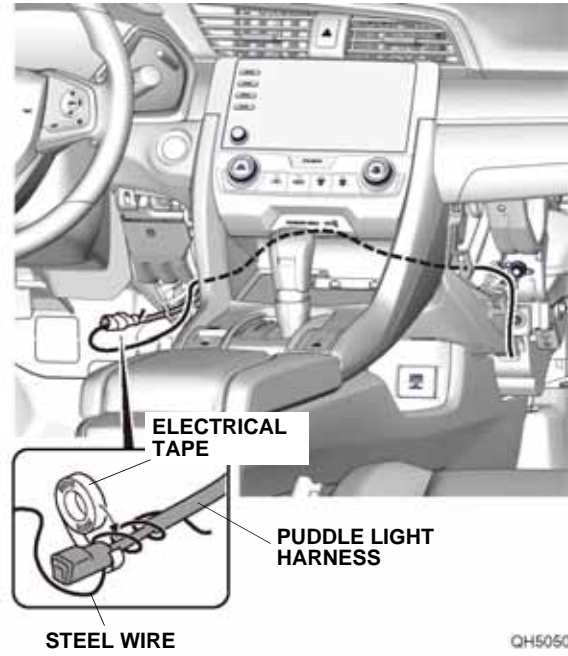
QH50572AT

54. Route a piece of steel wire as shown.



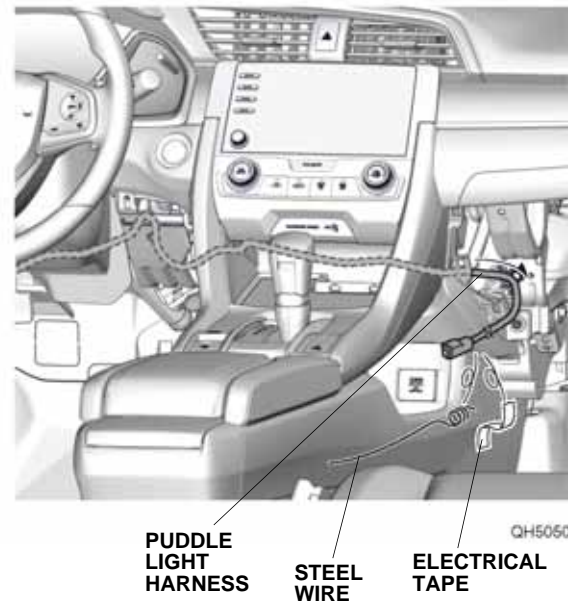
QH50505AT

55. Attach steel wire to the puddle light harness with electrical tape.



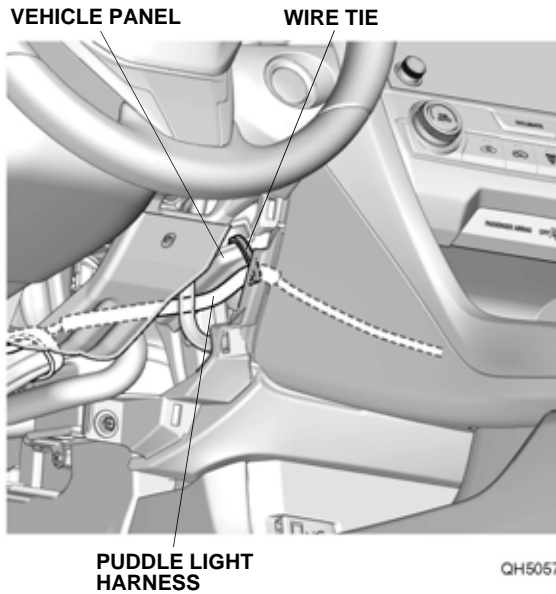
QH50506AT

56. Route the puddle light harness as shown, and remove the electrical tape and steel wire.

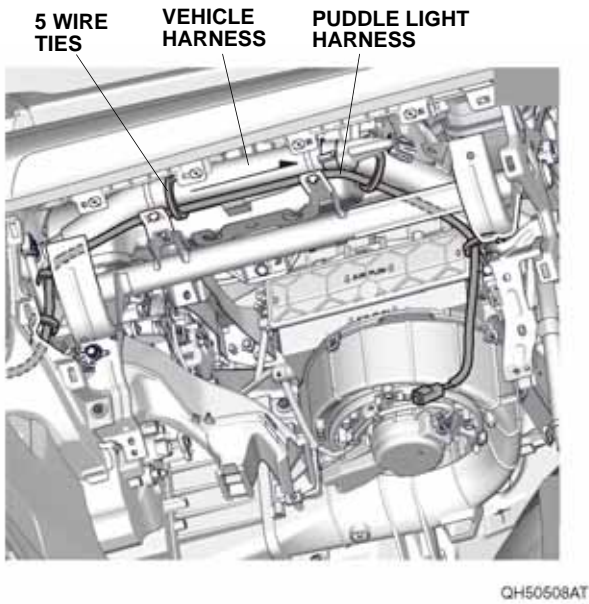


QH50507AT

57. Secure the puddle light harness to the vehicle panel with one wire tie.



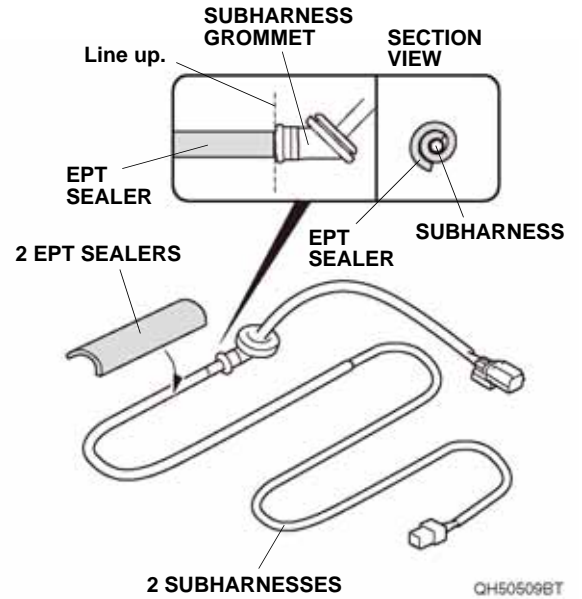
58. Route the puddle light harness as shown. Secure the puddle light harness to the vehicle harness with five wire ties.



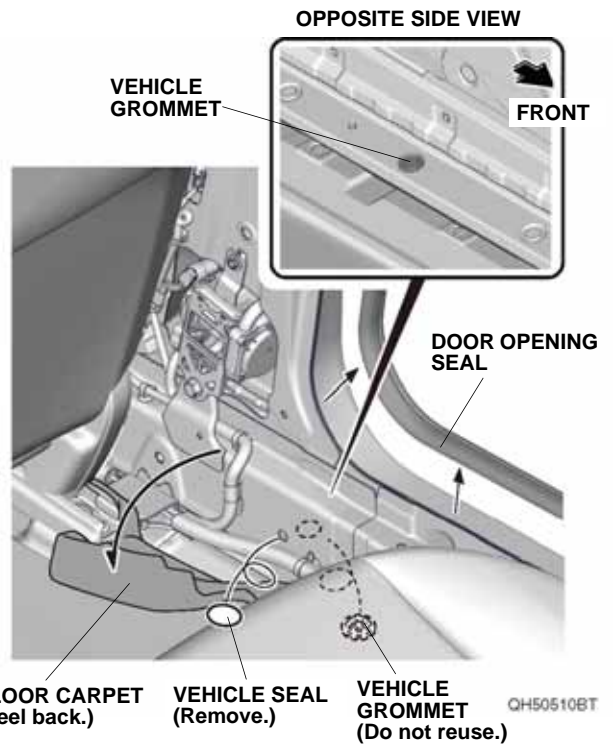
- 2 Door models, go to step 109.  
4 Door and 5 Door models, continue with step 59.

#### 4 Door and 5 Door

59. Wrap the two EPT sealers to the two subharnesses as shown.

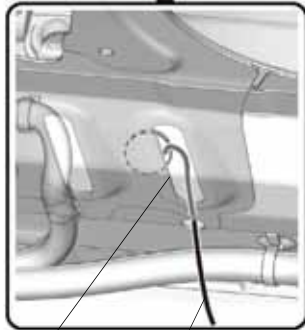
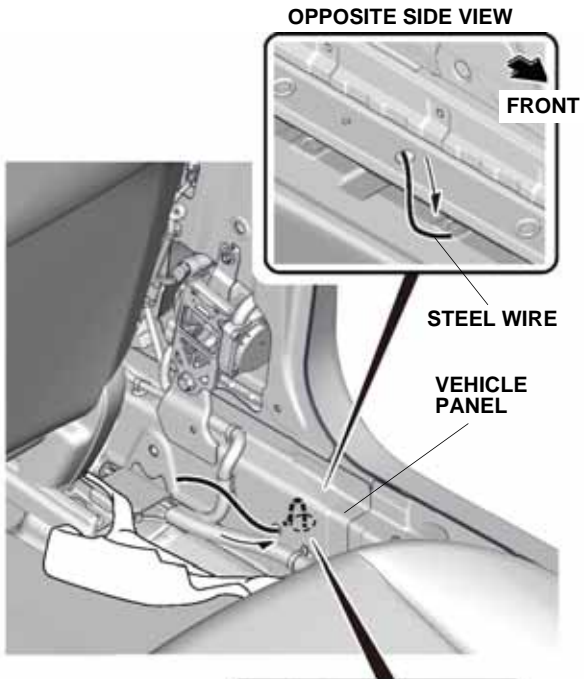


60. Pull away the door opening seal, and peel back the floor carpet.



61. Remove the vehicle seal and grommet from the vehicle panel.

62. Route a piece of steel wire as shown.

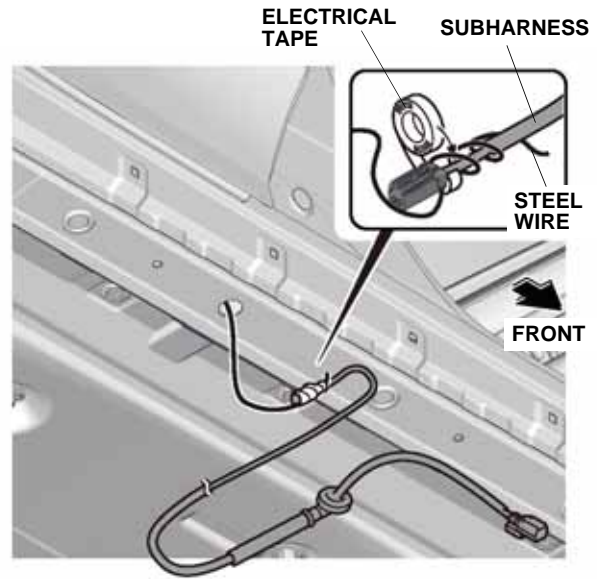


HOLE BETWEEN INNER AND OUTER PANELS

STEEL WIRE

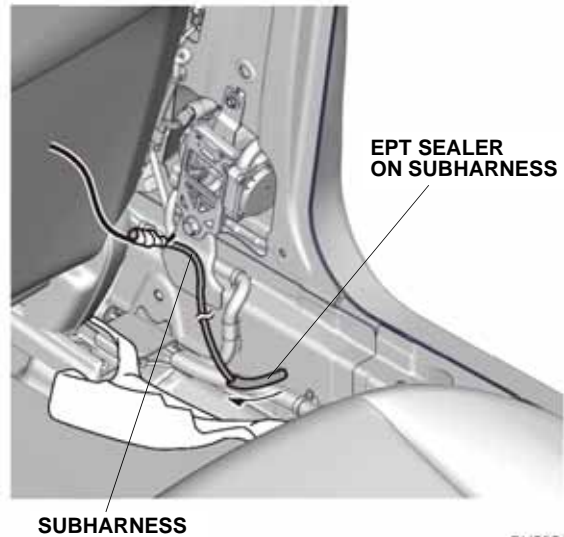
QH50511AT

63. Attach the steel wire to subharness with electrical tape.



QH50512AT

64. Route the subharness as shown.



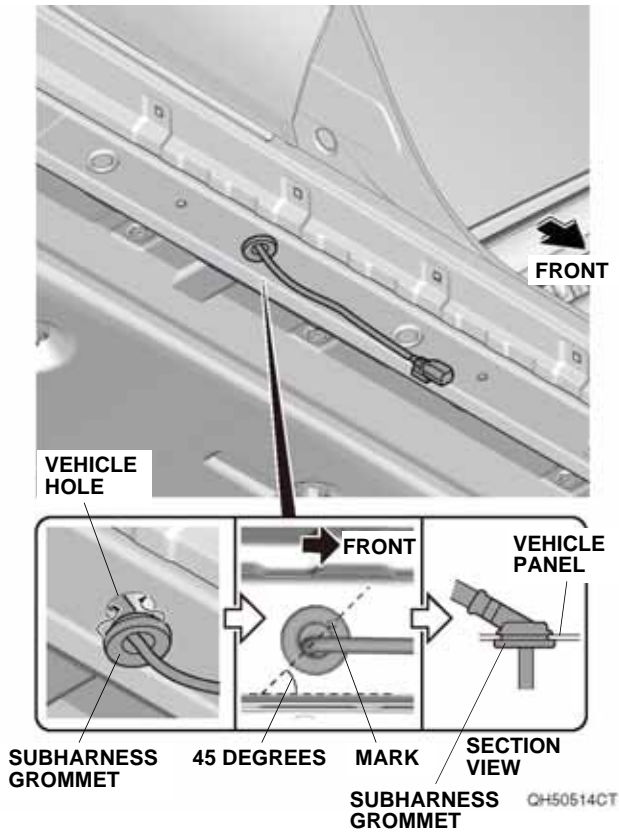
QH50513AT



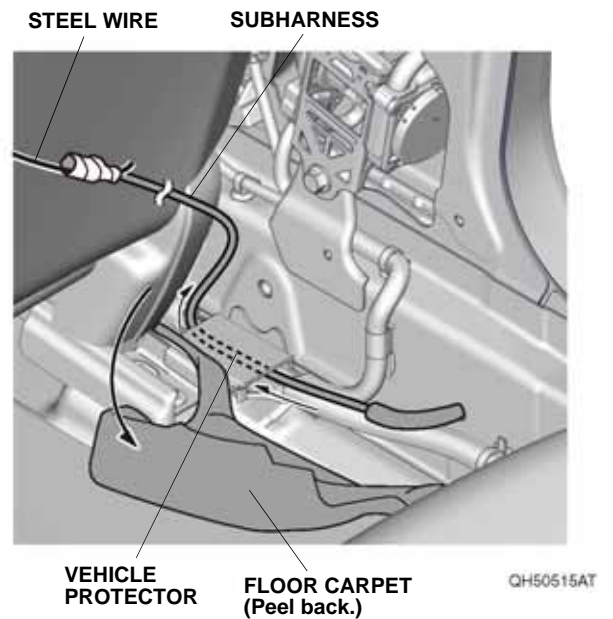
65. Secure the subharness grommet to the vehicle panel as shown.

NOTE:

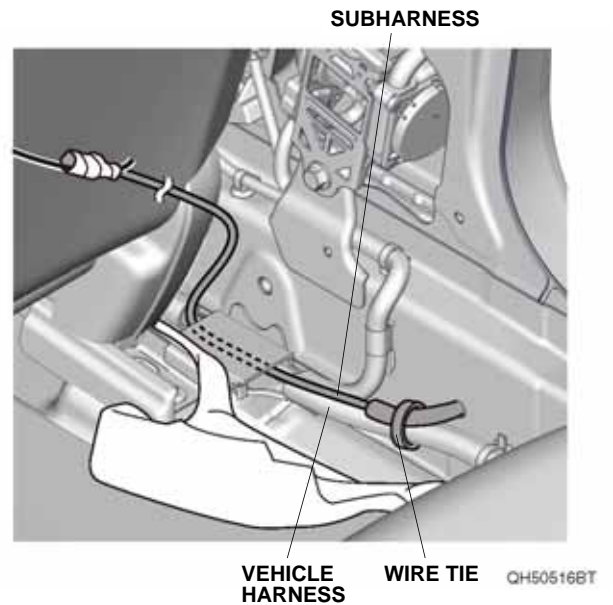
- While holding the grommet, carefully insert it into the vehicle panel hole and make sure it is seated properly.
- Do not pull on the socket or harness when installing the grommet.



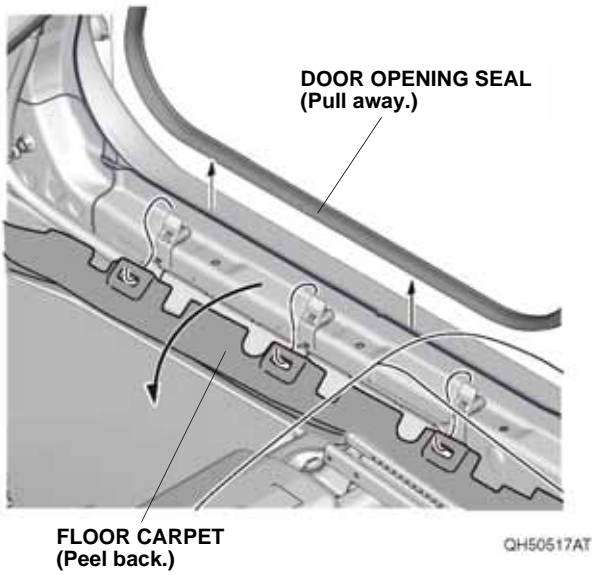
66. Peel back the floor carpet, and route the subharness as shown.



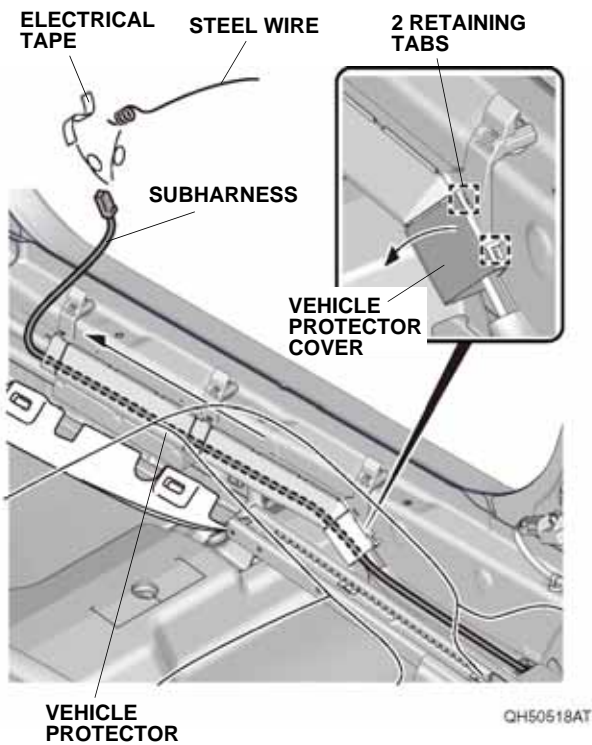
67. Secure the subharness to the vehicle harness with one wire tie.



68. Pull away the door opening seal, and peel back the floor carpet.

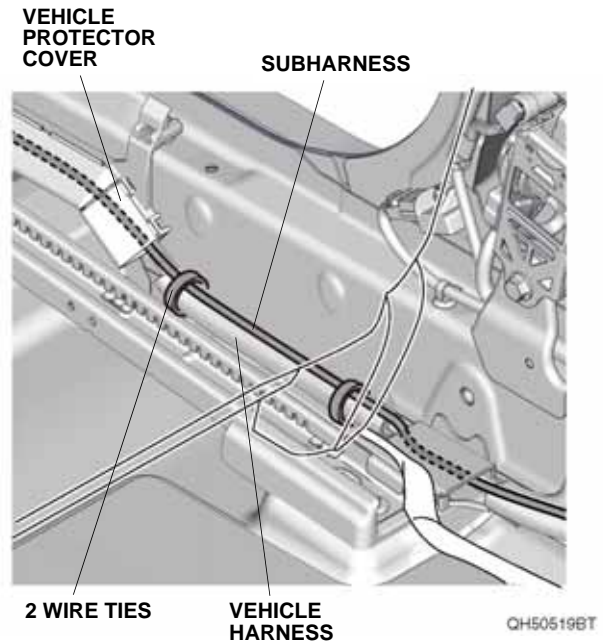


69. Release the vehicle protector cover as shown.

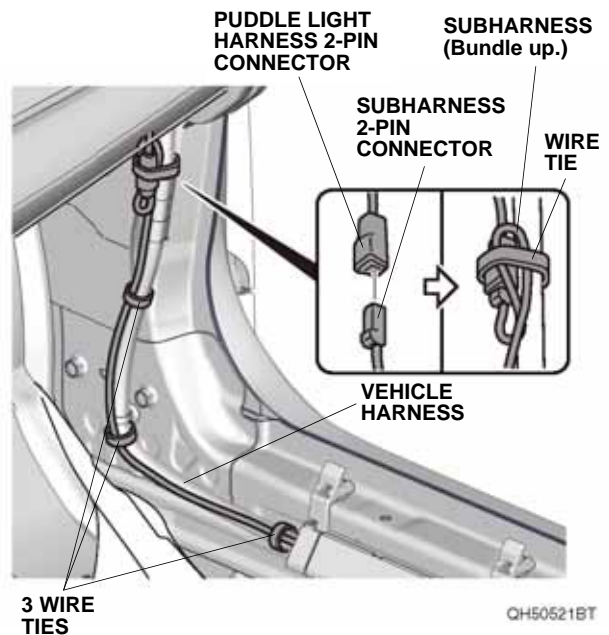


70. Route the subharness as shown. Remove the electrical tape and steel wire.

71. Attach the vehicle protector cover. Secure the subharness to the vehicle harness with two wire ties.

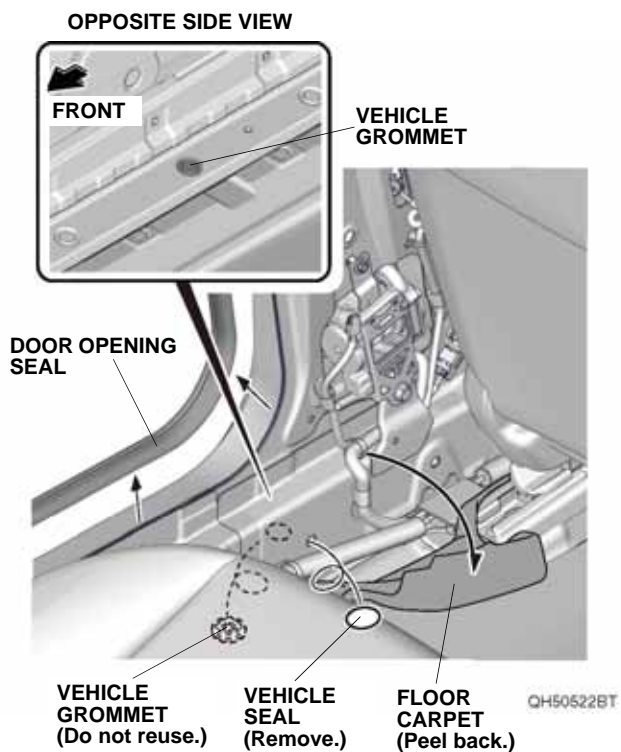


72. Plug the subharness 2-pin connector into the puddle light harness 2-pin connector.



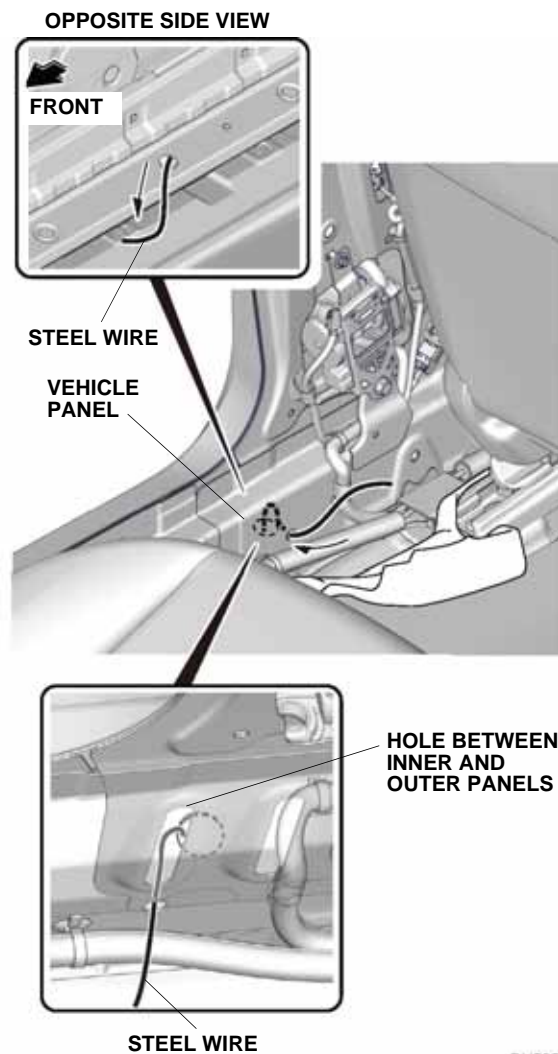
73. Secure the 2-pin connectors and subharness to the vehicle harness with four wire ties as shown.

74. Pull away the door opening seal, and peel back the floor carpet.

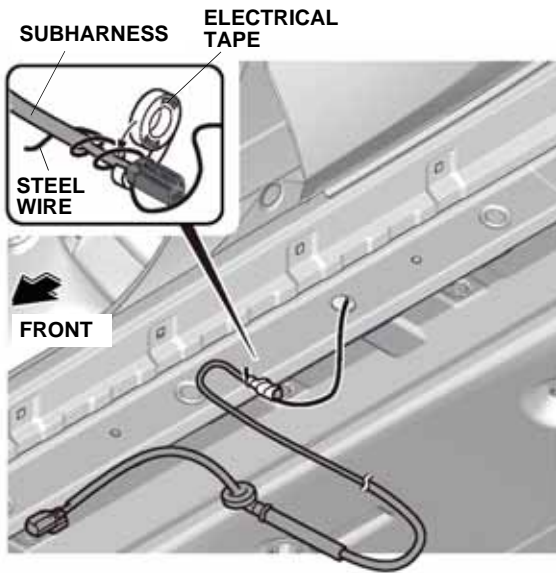


75. Remove the vehicle seal and grommet from the vehicle panel.

76. Route a piece of steel wire as shown.

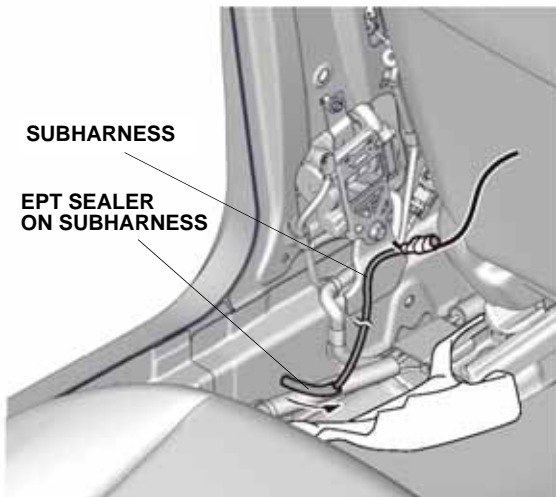


77. Attach the steel wire to the subharness with electrical tape.



QH50524AT

78. Route the subharness as shown.

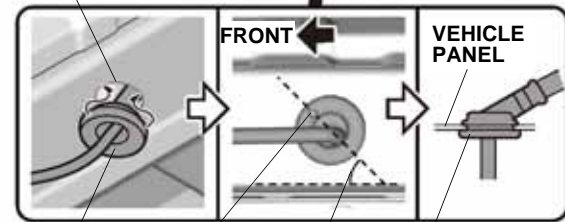
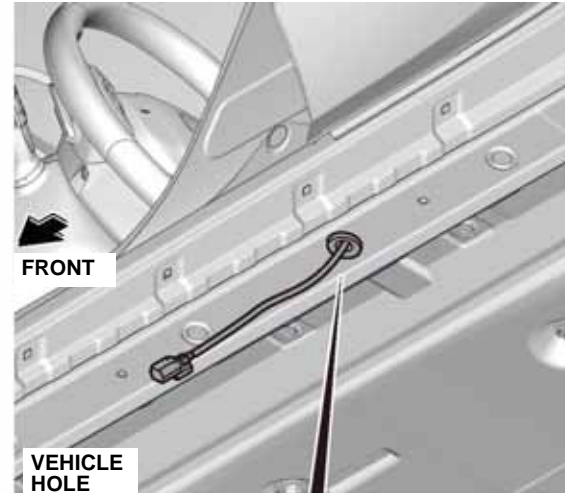


QH50520AT

79. Secure the subharness grommet to the vehicle panel as shown.

NOTE:

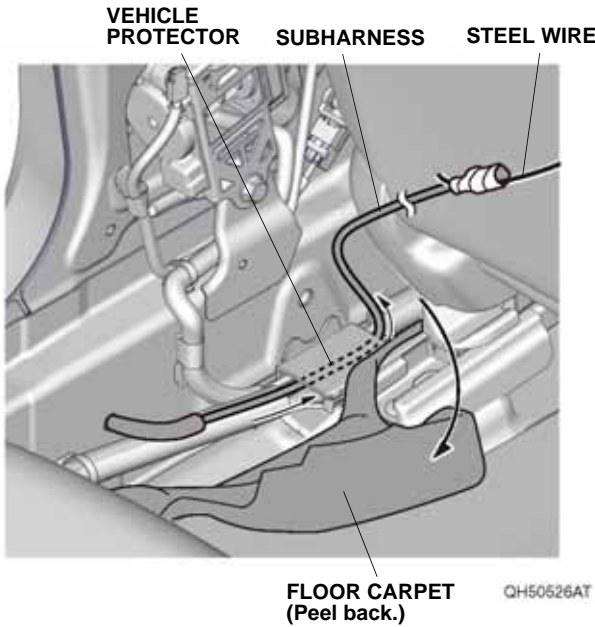
- While holding the grommet, carefully insert it into the vehicle panel hole and make sure it is seated properly.
- Do not pull on the socket or harness when installing the grommet.



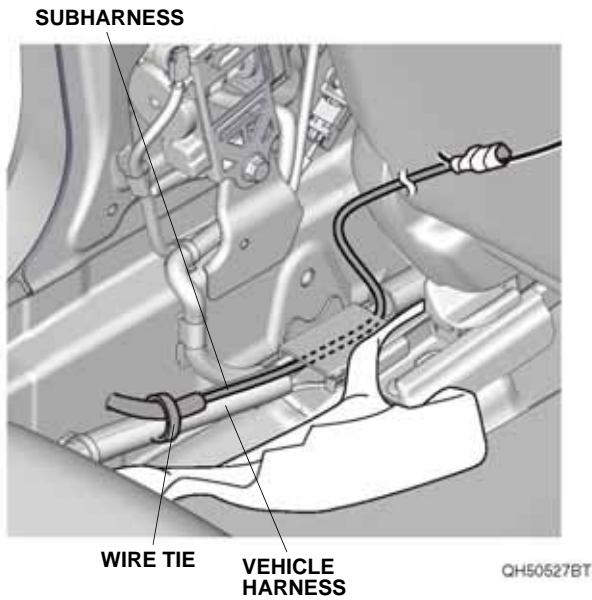
SUBHARNESS GROMMET MARK 45 DEGREES SUBHARNESS GROMMET QH50525CT



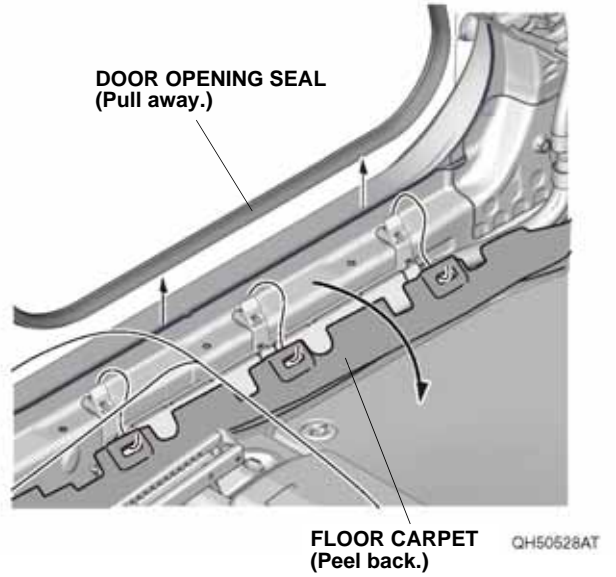
80. Peel back the floor carpet, and route the subharness as shown.



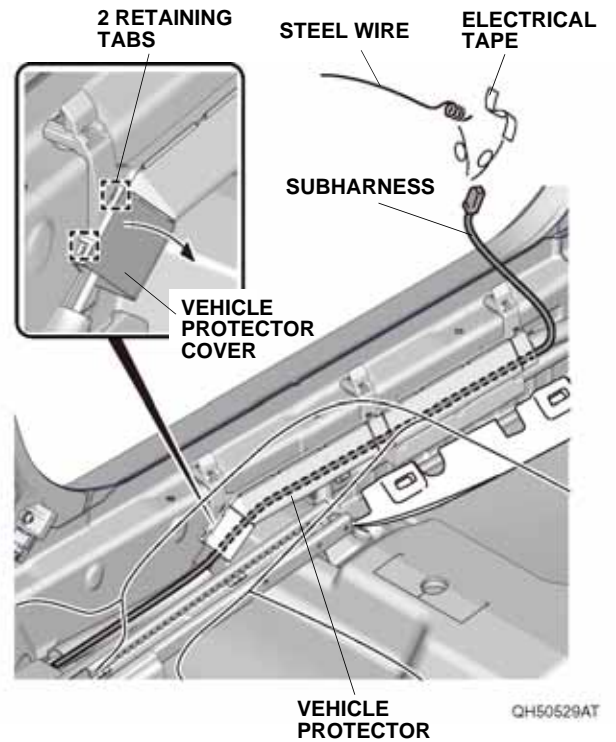
81. Secure the subharness to the vehicle harness with one wire tie.



82. Pull away the door opening seal, and peel back the floor carpet.

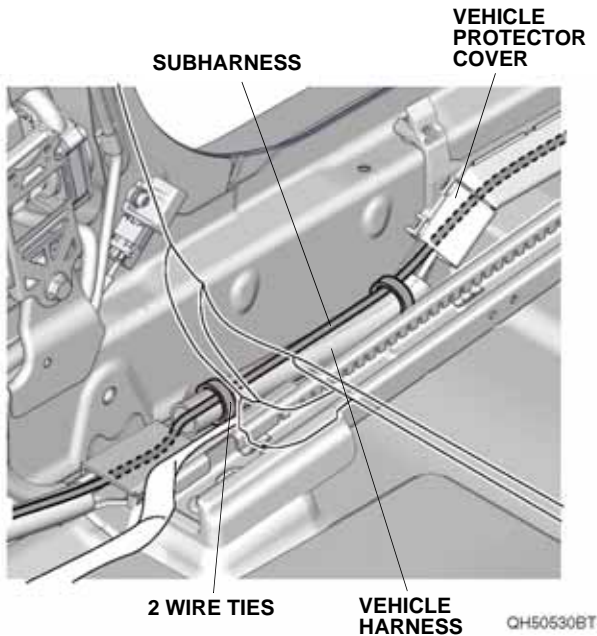


83. Release the vehicle protector cover as shown.



84. Route the subharness as shown. Remove the electrical tape and steel wire.

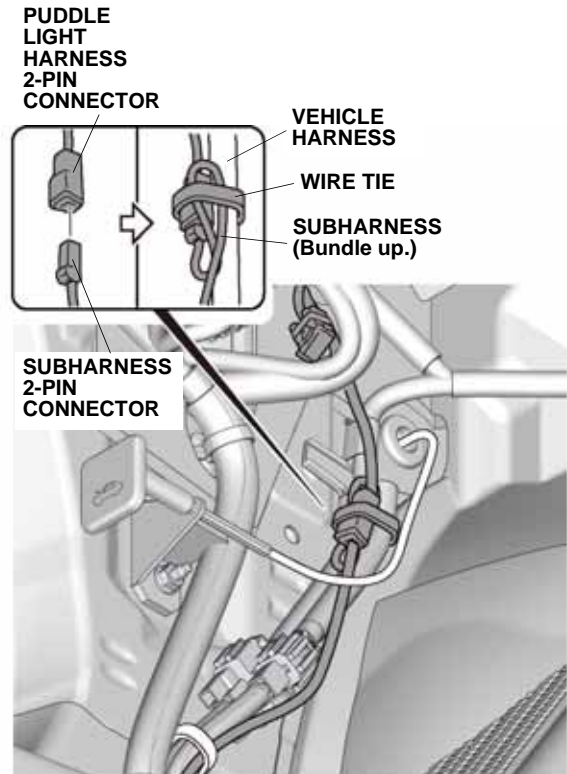
85. Attach the vehicle protector cover. Secure the subharness to the vehicle harness with two wire ties.



86. Secure the subharness to the vehicle harness with three wire ties.

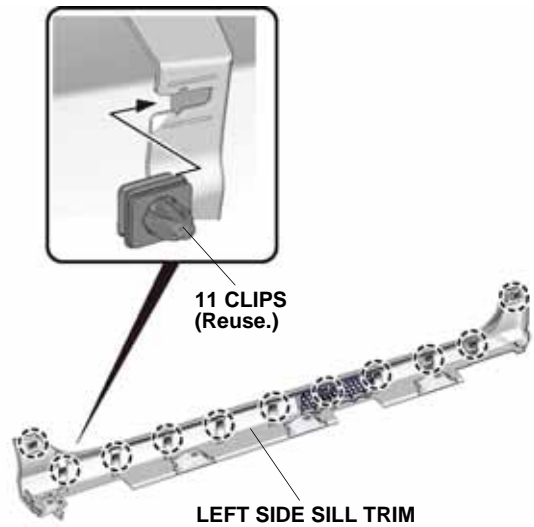


87. Plug the subharness 2-pin connector into the puddle light harness 2-pin connector.

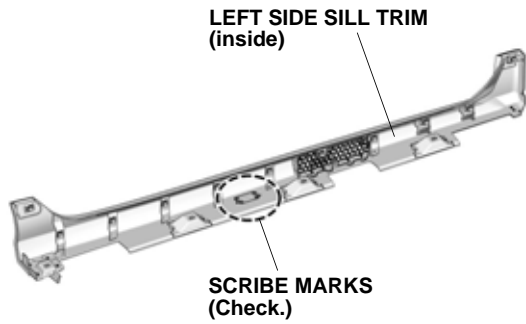


88. Secure the 2-pin connector and subharness to the vehicle harness with one wire tie as shown.

89. Install the 11 clips to the left side sill trim.



90. Check the left side sill trim.

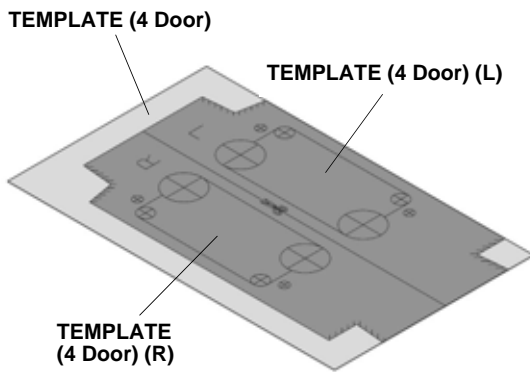


QH51413AJ

If the trim has scribe marks, go to step 94; otherwise, continue with step 91.

### Without scribe marks

91. Using scissors, cut the template (4 Door).



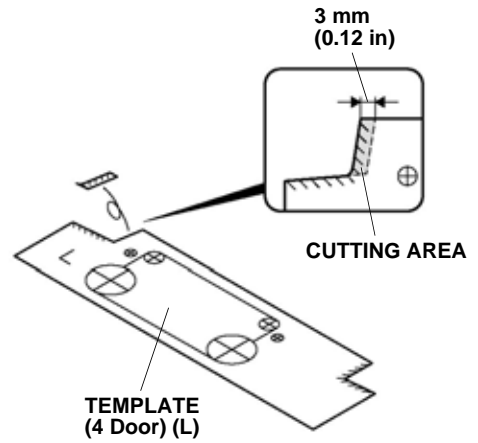
QH51412AJ

4 Door models, go to step 93.

5 Door models, continue with step 92.

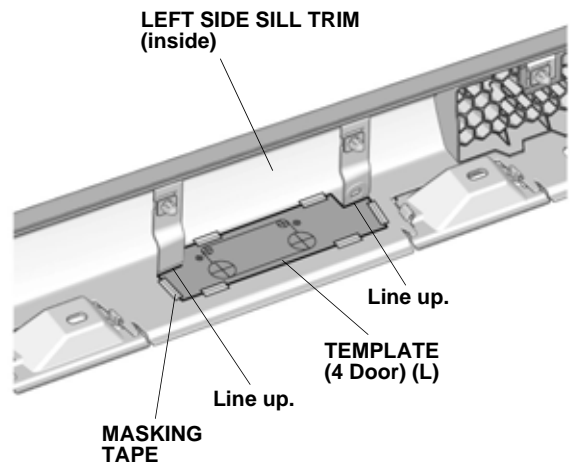
### 5 Door models

92. Using scissors, cut the template (4 Door) (L).



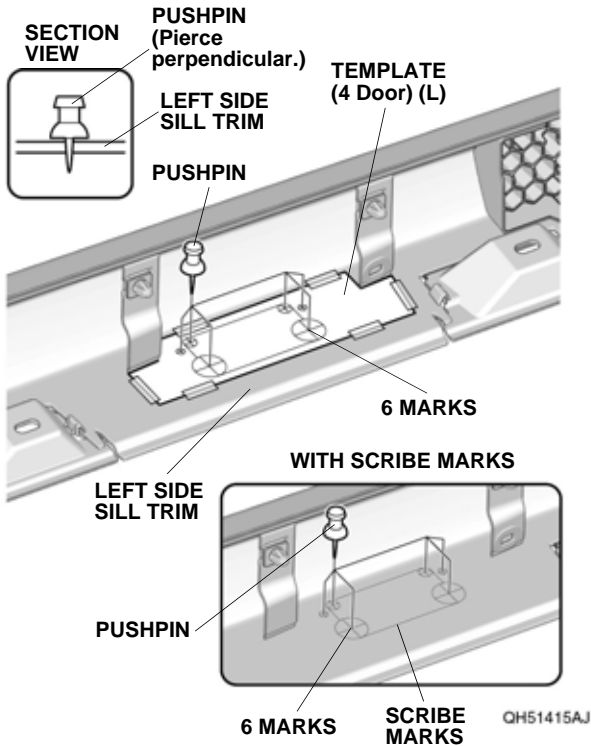
QJ11201AR

93. Line up the template (4 Door) (L) on the left side sill trim as shown. Tape the template (4 Door) (L) to the left side sill trim with masking tape.



QH51414AJ

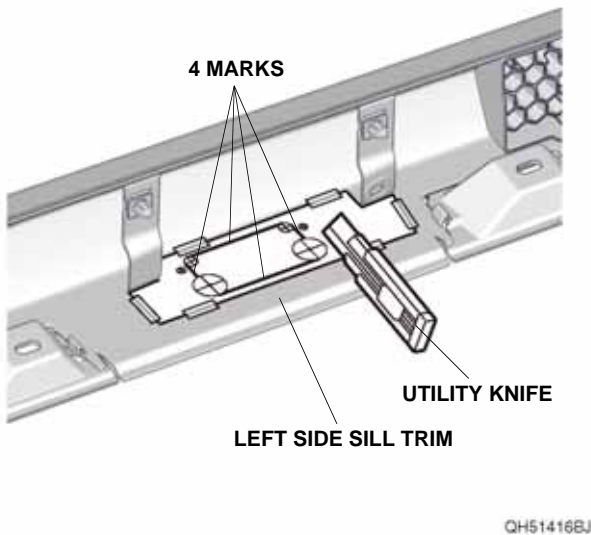
94. Using a pushpin, pierce the left side sill trim as shown.  
NOTE: Pierce perpendicular to the left side sill trim.



If the trim has scribe marks, go to step 97; otherwise, continue with step 95.

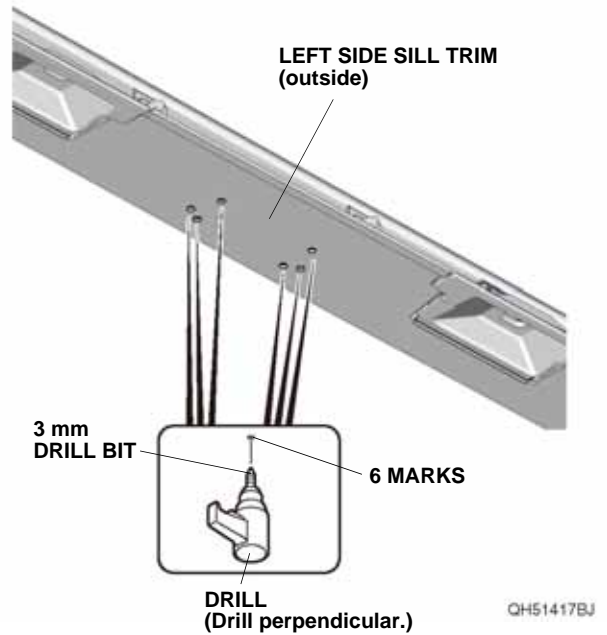
**Without scribe marks**

95. Using a utility knife, mark the left side sill trim as shown.



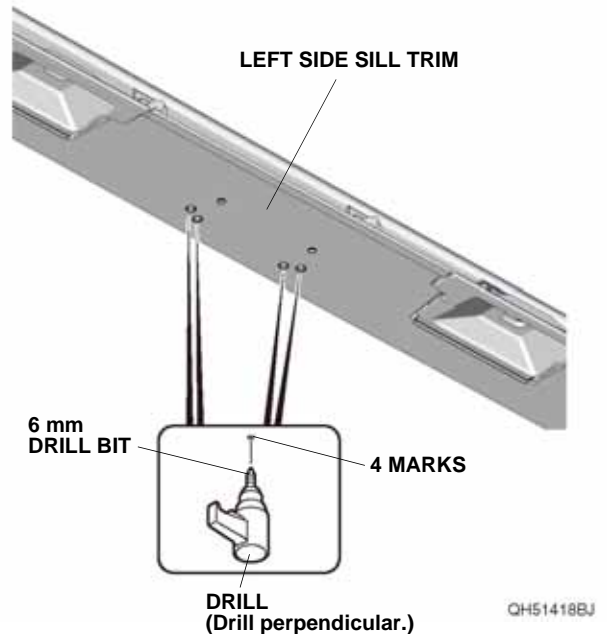
96. Remove the template (4 Door) (L).

97. While wearing eye protection, drill the 6 pierced marks on the left side sill trim with a 3 mm drill bit.  
NOTE: Drill perpendicular to left side sill trim.



98. While wearing eye protection, drill the four 3mm holes on the left side sill trim with a 6 mm drill bit.  
NOTE:

- Drill perpendicular to left side sill trim.
- Make sure to drill the locations shown.

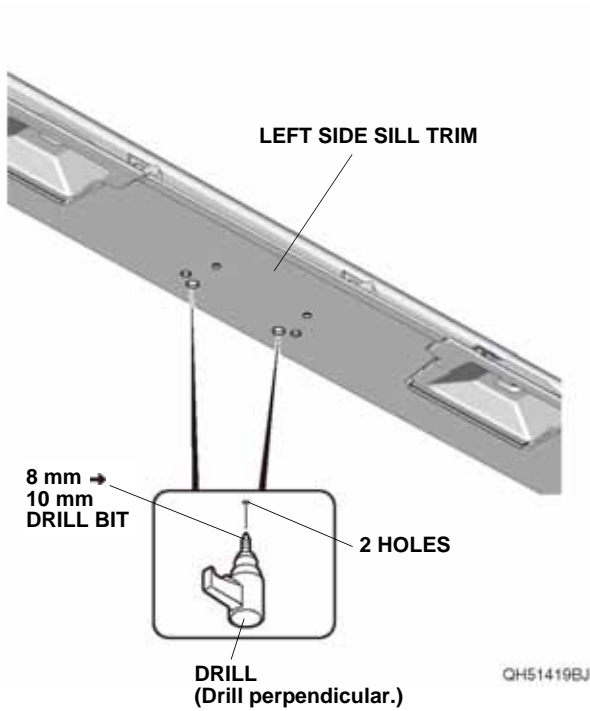




99. While wearing eye protection, drill the two 6mm holes on the left side sill trim to 10 mm. First, drill with an 8 mm drill bit, and finish with a 10 mm drill bit.

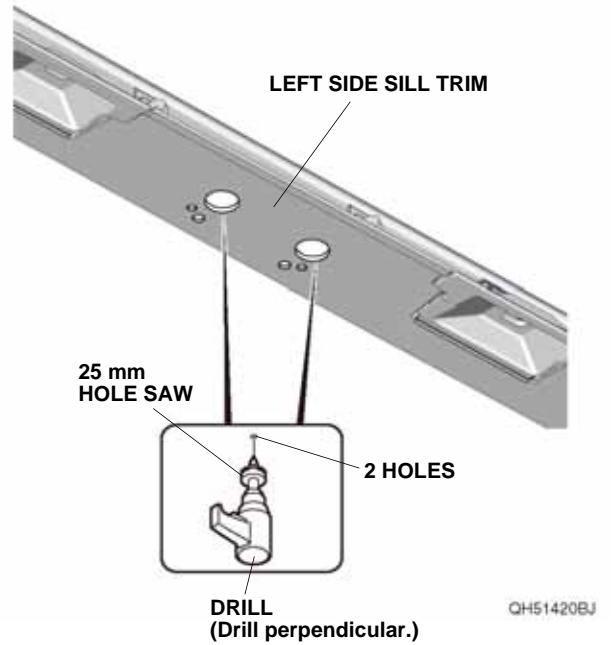
NOTE:

- Drill perpendicular to left side sill trim.
- Make sure to drill the locations shown.

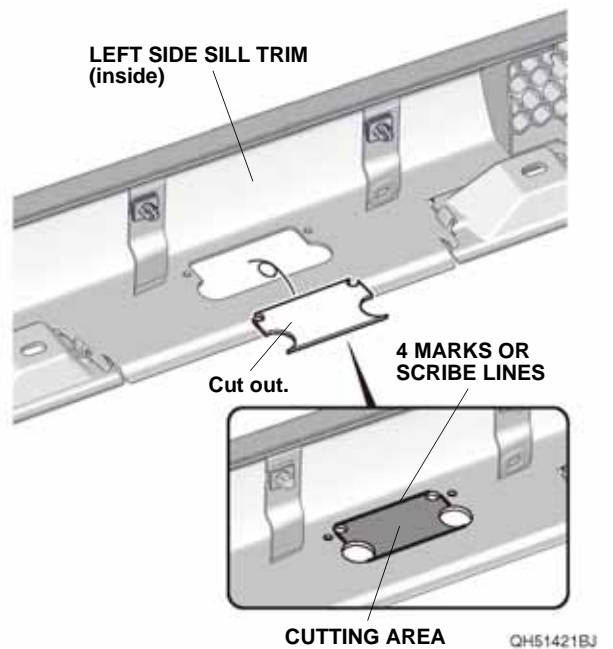


100. While wearing eye protection, drill the two 3 mm holes on the left side sill trim with a 25 mm hole saw. NOTE:

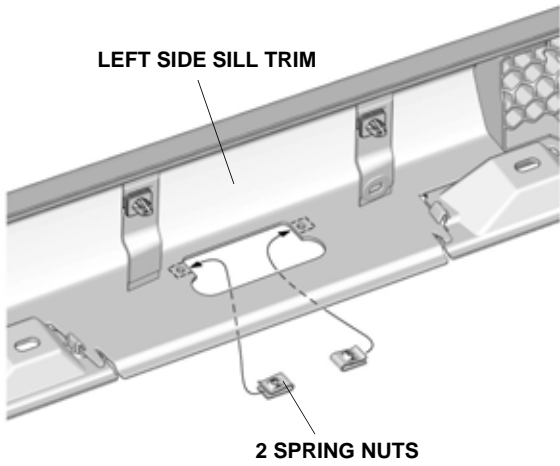
- Drill perpendicular to left side sill trim.
- Make sure to drill the locations shown.



101. Using a hacksaw, cut out the left side sill trim as shown. Remove any burrs.

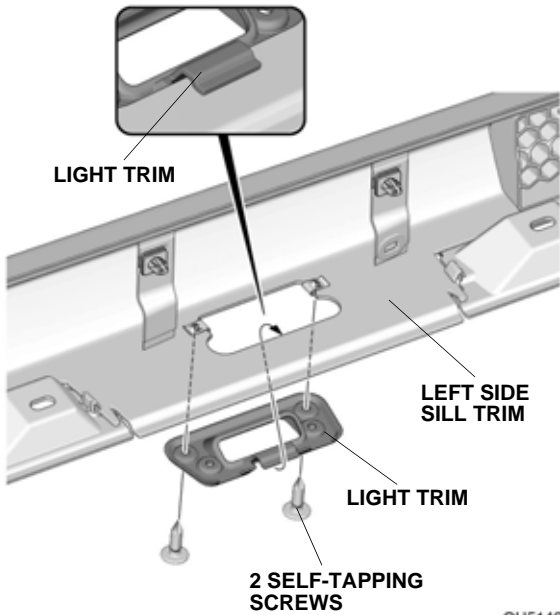


102. Install the two spring nuts to the left side sill trim.  
 NOTE: Make sure to install the spring nut with the small hole facing up.



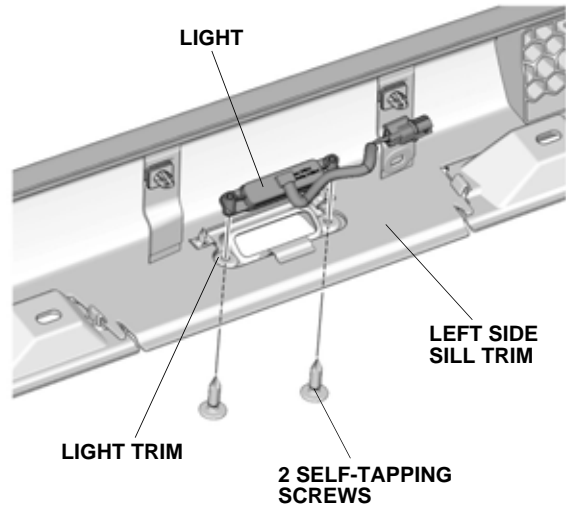
QH51422AJ

103. Install the light trim to the left side sill trim with two self-tapping screws.



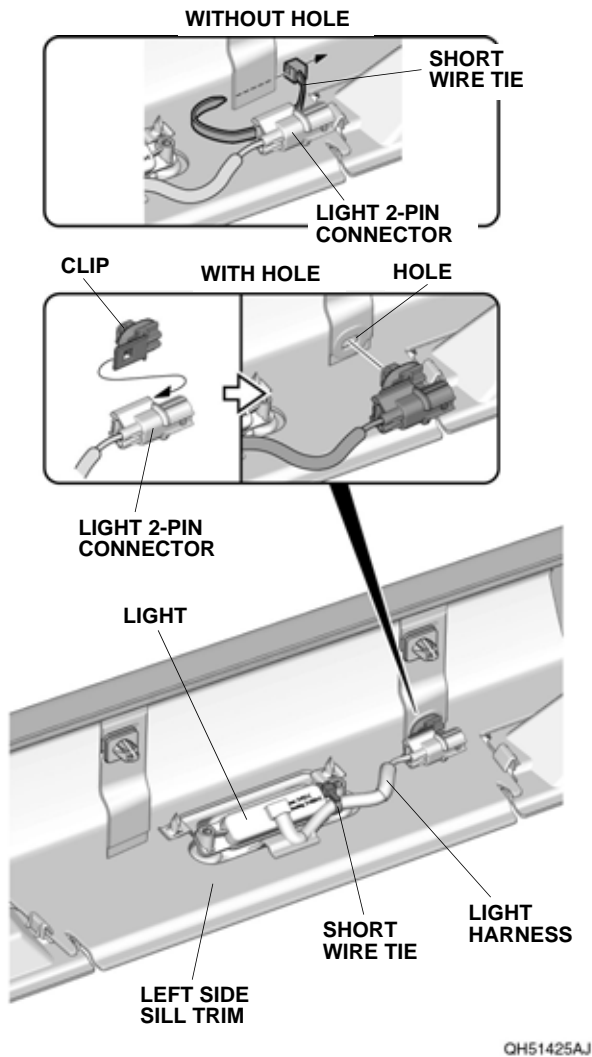
QH51423AJ

104. Install the light to the light trim with two self-tapping screws.



QH51424AJ

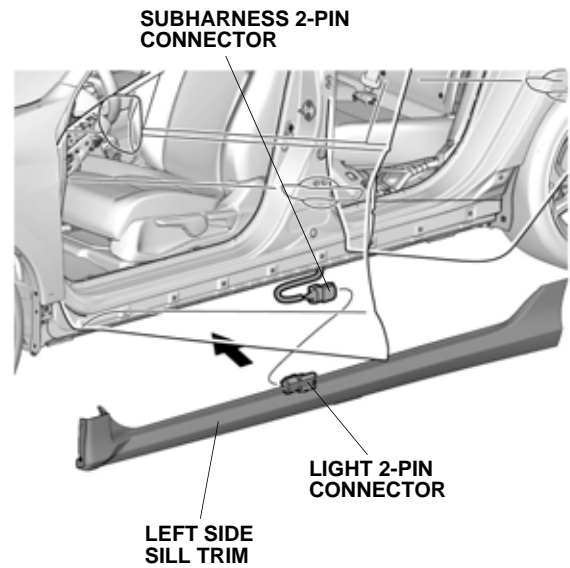
105. Secure the light 2-pin connector to the left side sill trim with clip or short wire tie as shown.



QH51425AJ

106. Secure the light harness to the light with short wire tie as shown.

107. Plug the subharness 2-pin connector into the light 2-pin connector. Install the left side trim.

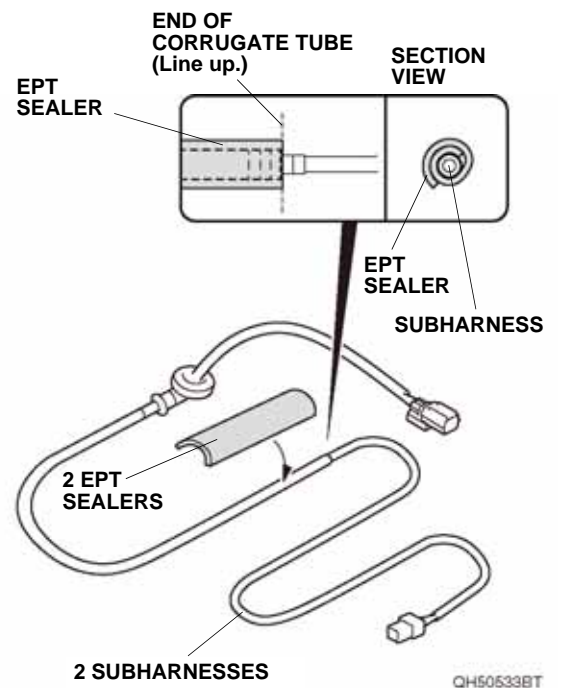


QH51426AJ

108. Repeat steps 89 through 107 on the right side of the vehicle. Go to step 157.

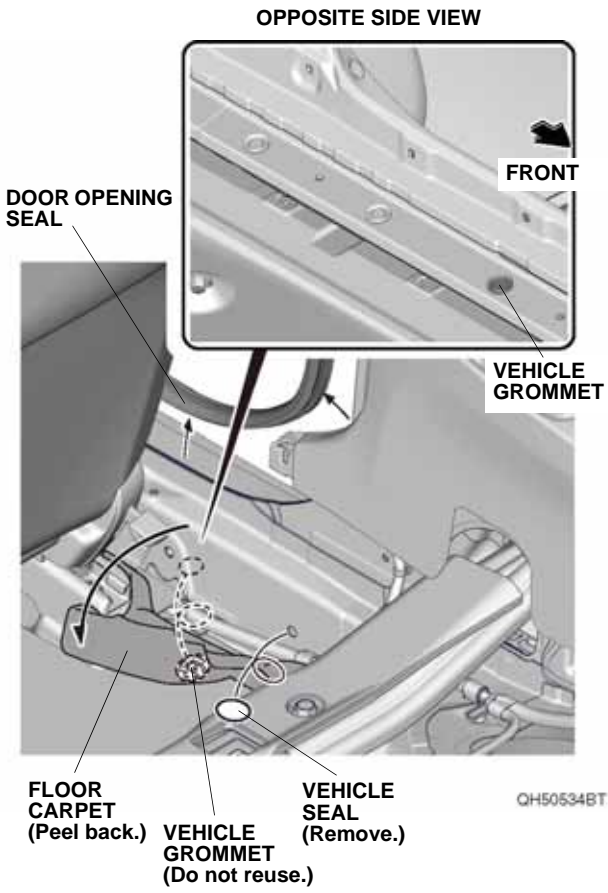
## 2 Door

109. Wrap the two EPT sealers to the two subharnesses as shown.



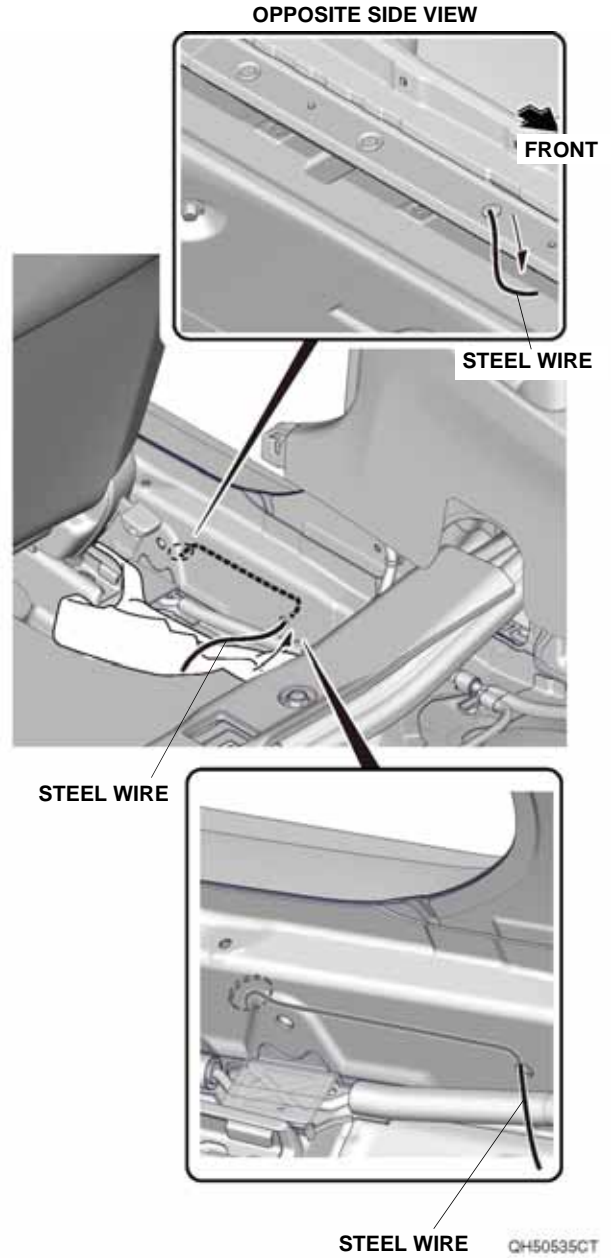
QH50533BT

110. Pull away the door opening seal, and peel back the floor carpet.

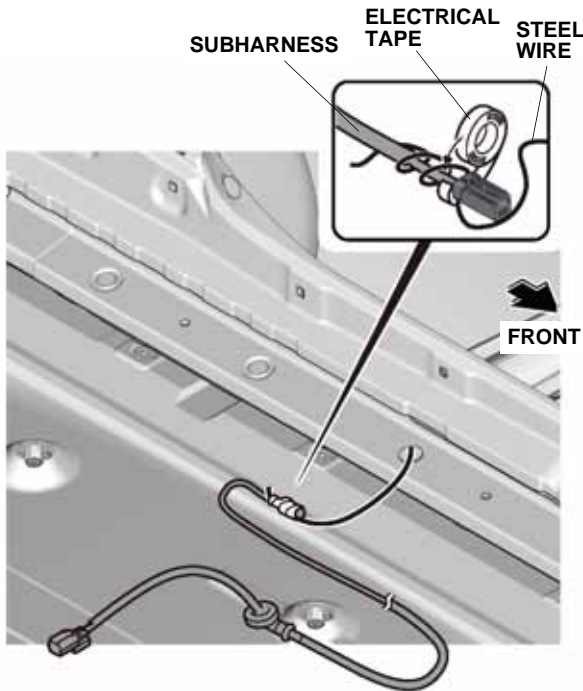


111. Remove the vehicle seal and grommet from the vehicle panel.

112. Route a piece of steel wire as shown.

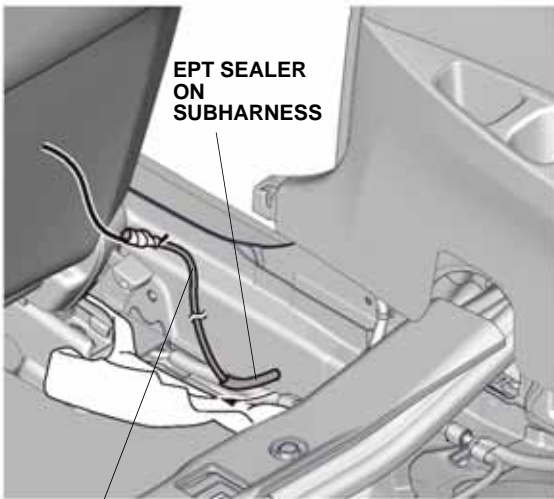


113. Attach the steel wire to subharness with electrical tape.



QH50536AT

114. Route the subharness as shown.



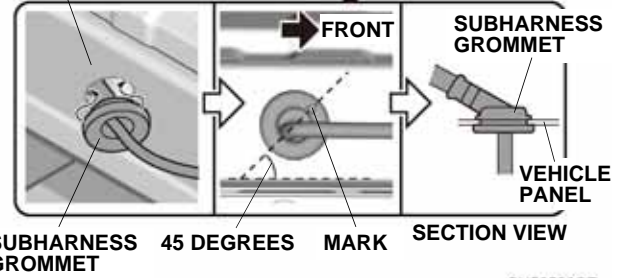
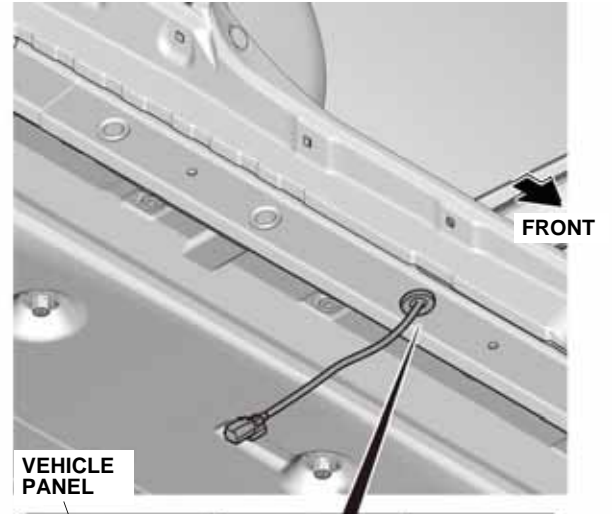
SUBHARNESS

QH50537AT

115. Secure the subharness grommet to the vehicle panel as shown.

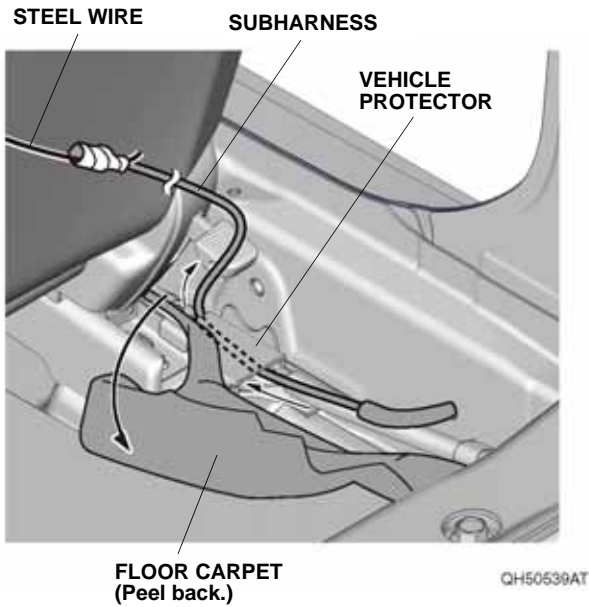
NOTE:

- While holding the grommet, carefully insert it into the vehicle panel hole and make sure it is seated properly.
- Do not pull on the socket or harness when installing the grommet.

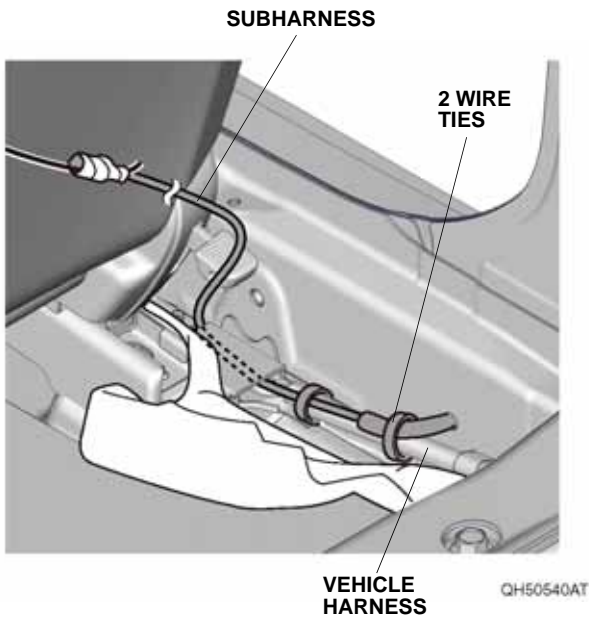


QH50538CT

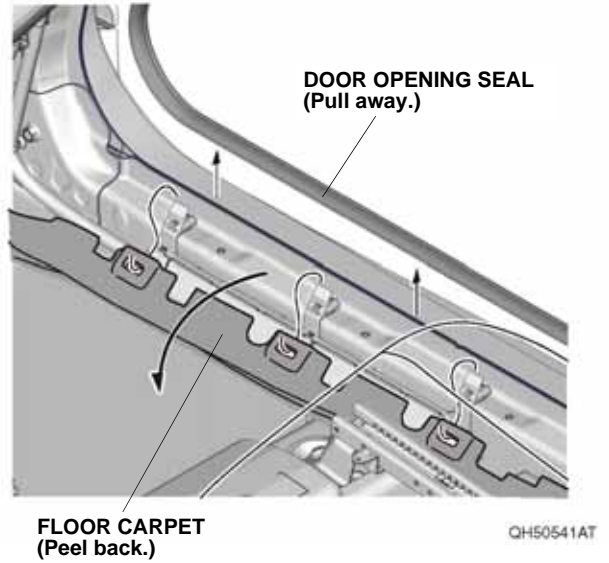
116. Peel back the floor carpet, and route the subharness as shown.



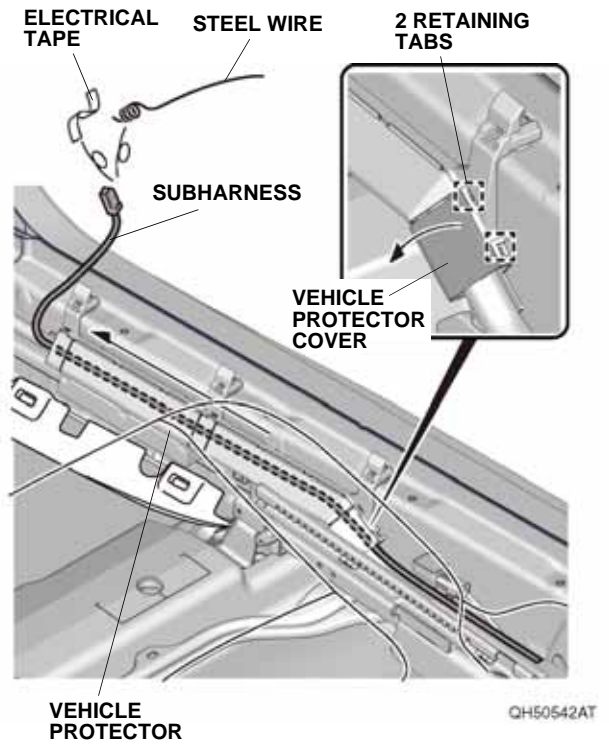
117. Secure the subharness to the vehicle harness with two wire ties.



118. Pull away the door opening seal, and peel back the floor carpet.



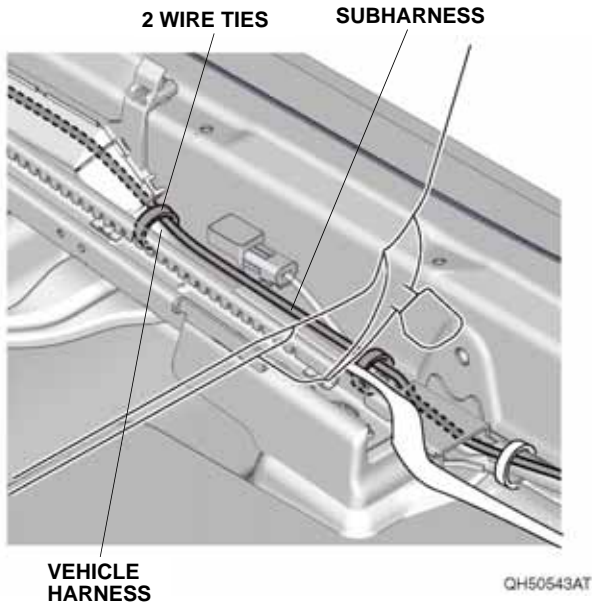
119. Release the vehicle protector cover as shown.



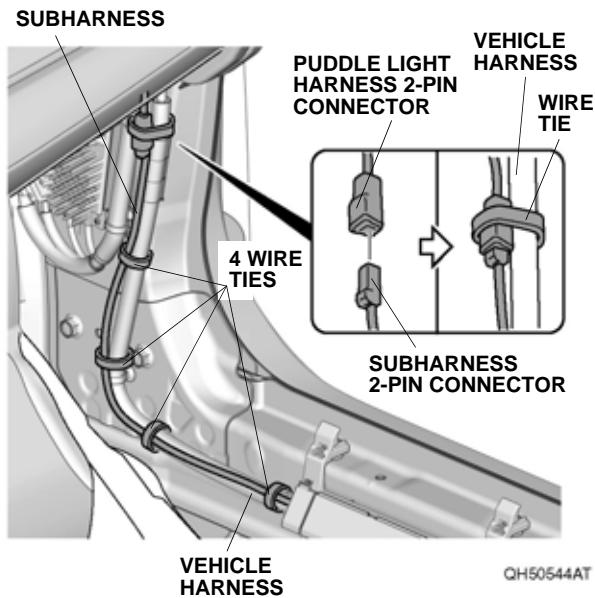
120. Route the subharness as shown. Remove the electrical tape and steel wire.



121. Attach the vehicle protector cover. Secure the subharness to the vehicle harness with two wire ties.

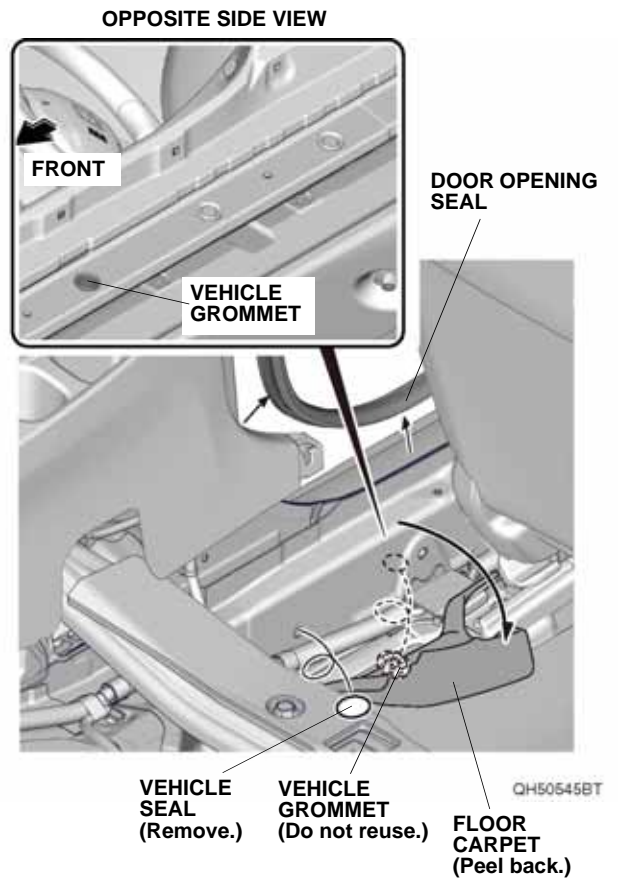


122. Plug the subharness 2-pin connector into the puddle light harness 2-pin connector.



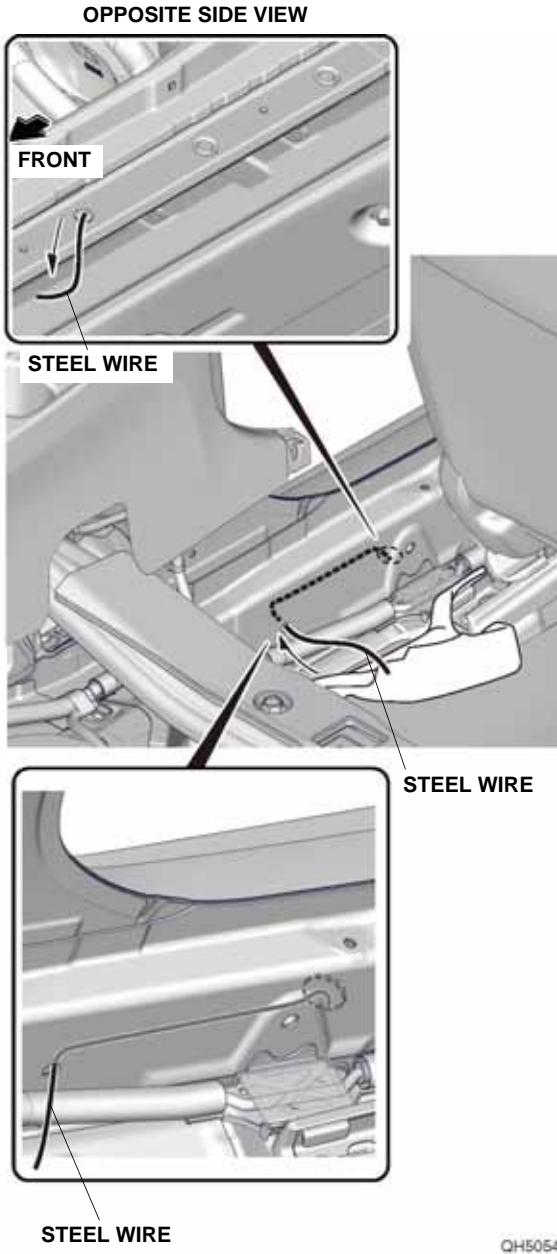
123. Secure the 2-pin connectors and subharness to the vehicle harness with five wire ties.

124. Pull away the door opening seal, and peel back the floor carpet.

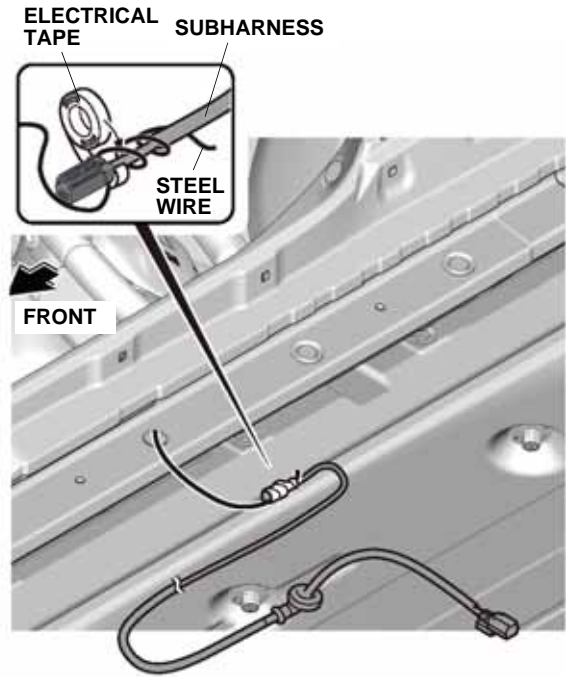


125. Remove the vehicle seal and grommet from the vehicle panel.

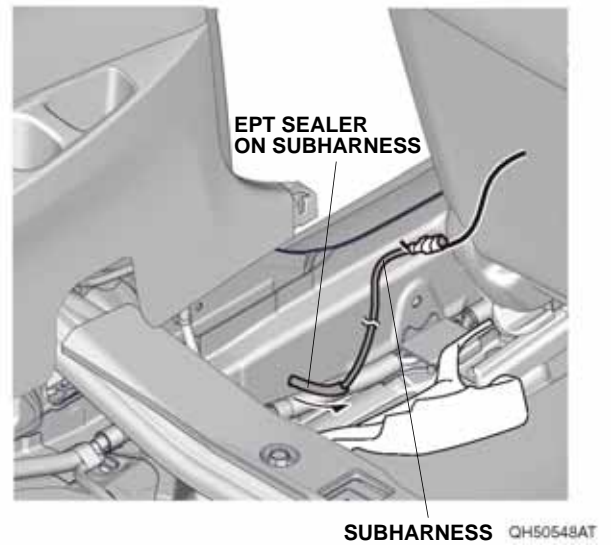
126. Route a piece of steel wire as shown.



127. Attach the steel wire to subharness with electrical tape.



128. Route the subharness as shown.

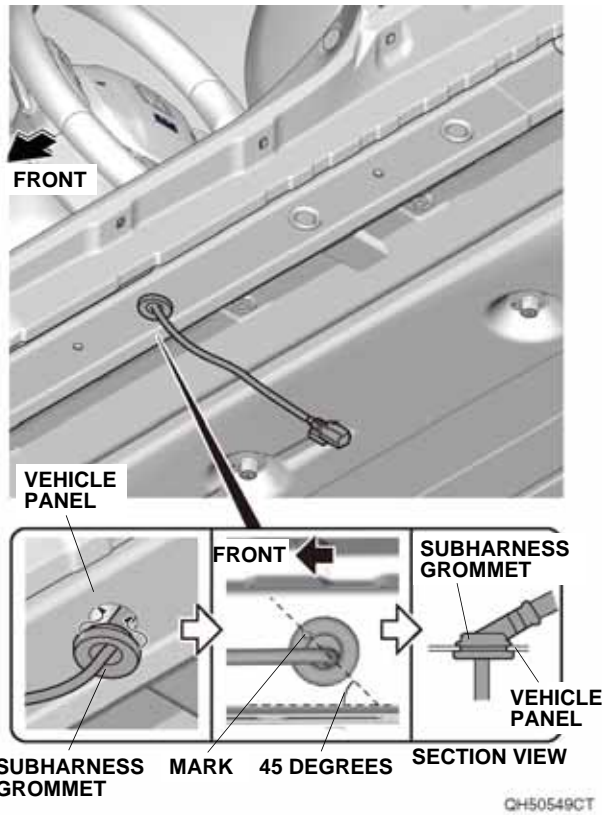




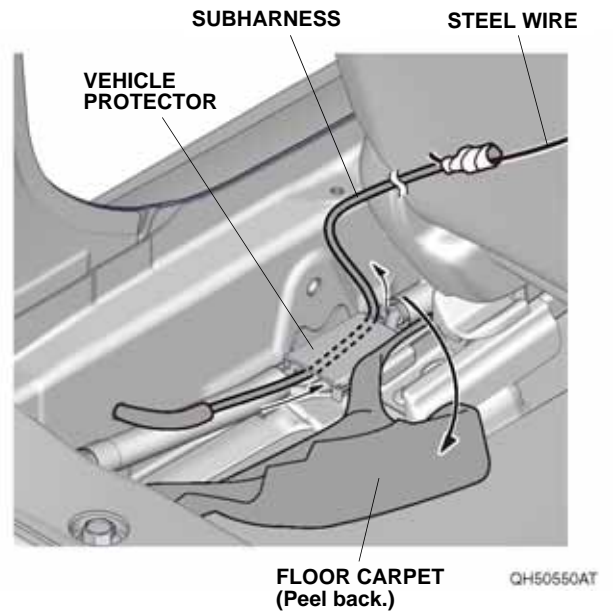
129. Secure the subharness grommet to the vehicle panel as shown.

NOTE:

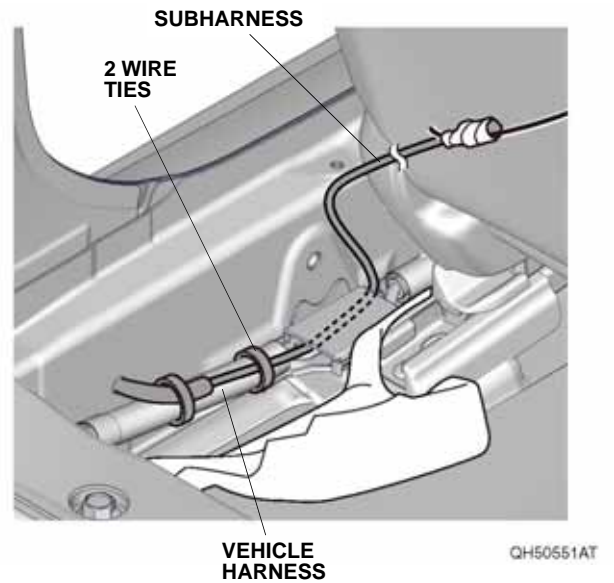
- While holding the grommet, carefully insert it into the vehicle panel hole and make sure it is seated properly.
- Do not pull on the socket or harness when installing the grommet.



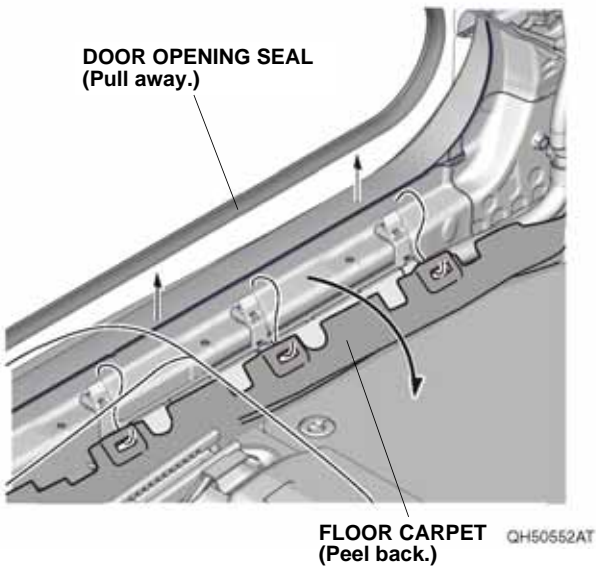
130. Peel back the floor carpet, and route the subharness as shown.



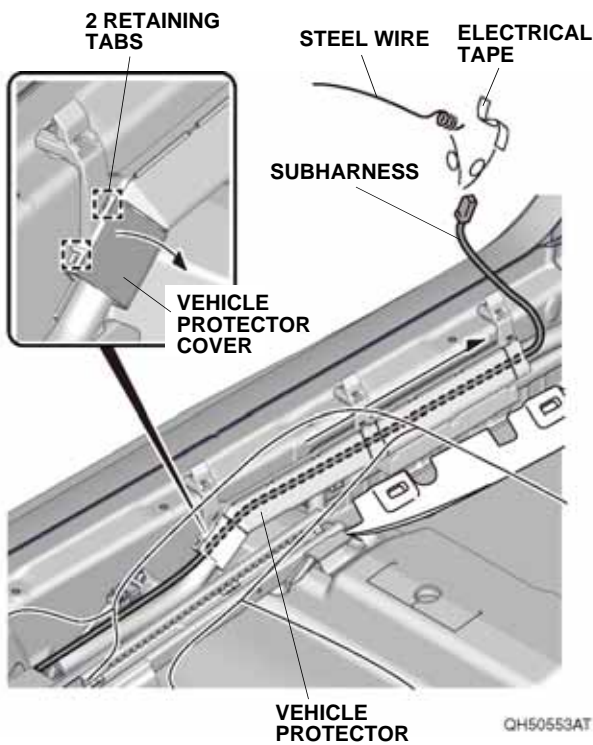
131. Secure the subharness to the vehicle harness with two wire ties.



132. Pull away the door opening seal, and peel back the floor carpet.

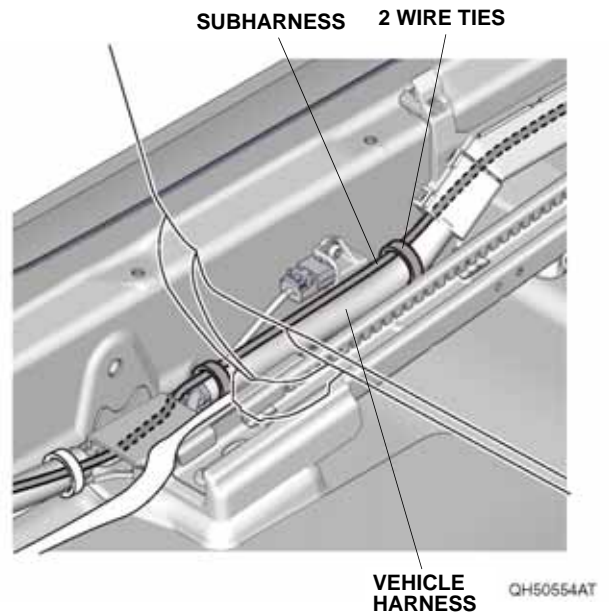


133. Release the vehicle protector cover as shown.

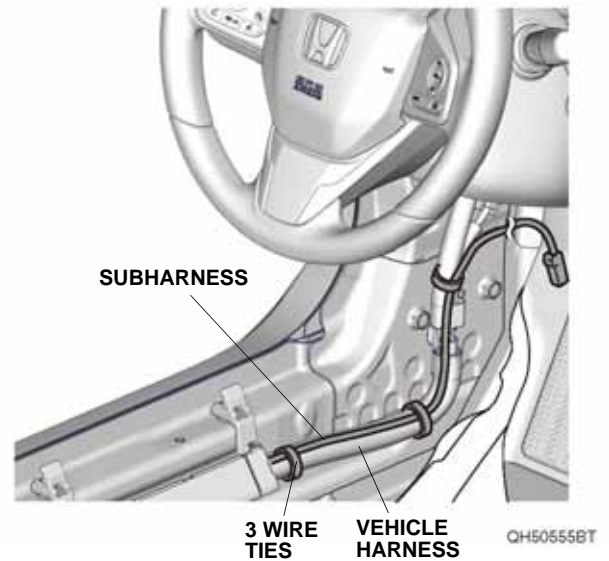


134. Route the subharness as shown. Remove the electrical tape and steel wire.

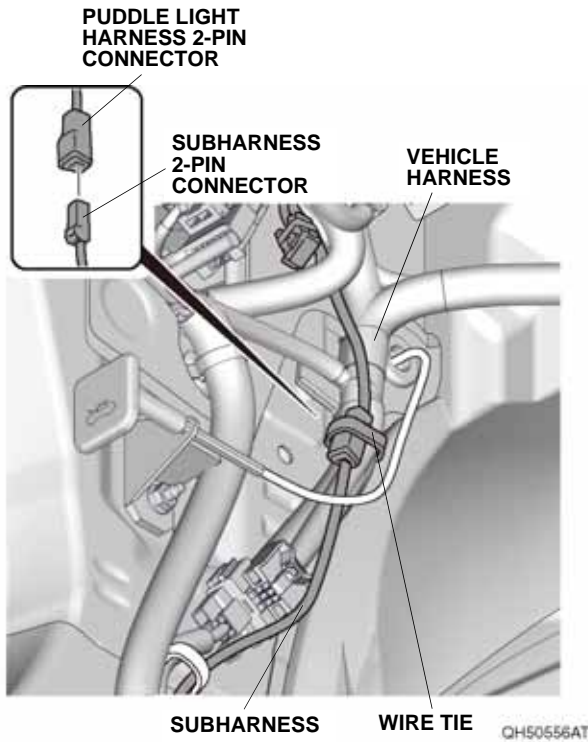
135. Attach the vehicle protector cover. Secure the subharness to the vehicle harness with two wire ties.



136. Secure the subharness to the vehicle harness with three wire ties.

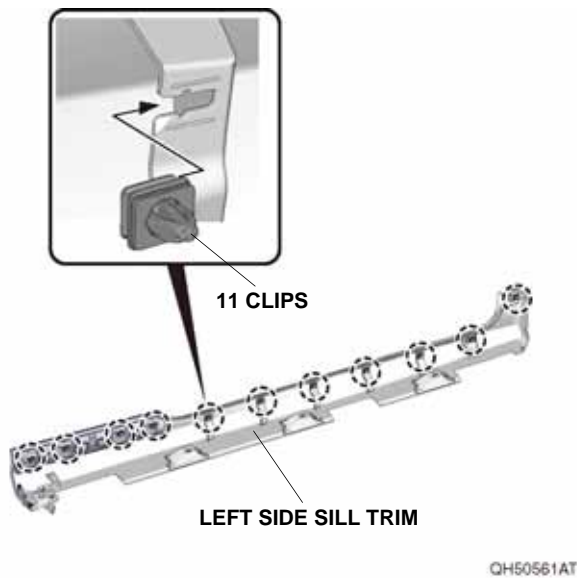


137. Plug the subharness 2-pin connector into the puddle light harness 2-pin connector.

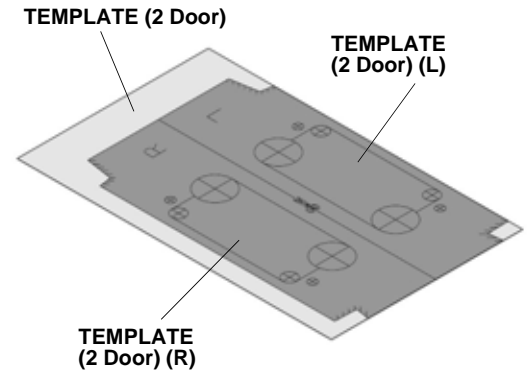


138. Secure the 2-pin connector to the vehicle harness with one wire tie.

139. Install 11 clips to the left side sill trim.

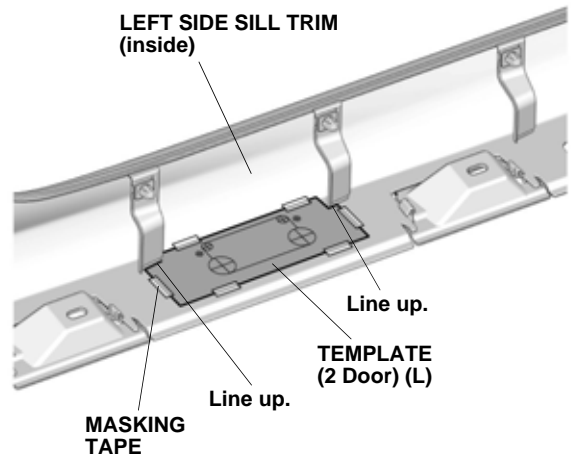


140. Using scissors, cut the template (2 Door).



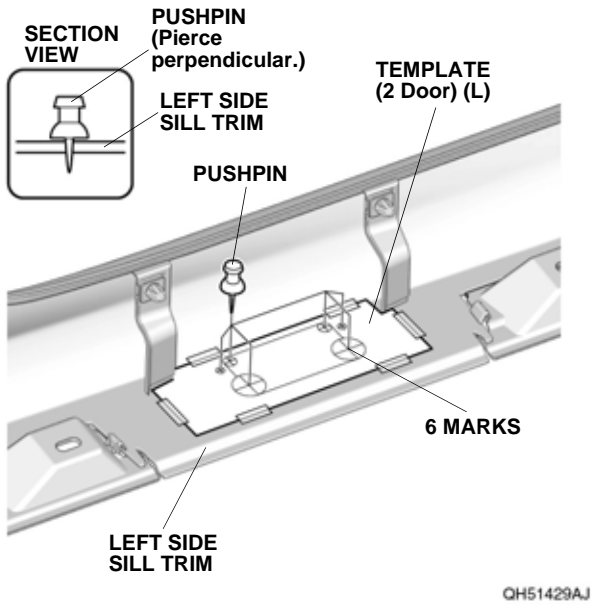
QH51427AJ

141. Line up the template (2 Door) (L) on the left side sill trim as shown. Tape the template (2 Door) (L) to the left side sill trim with masking tape.

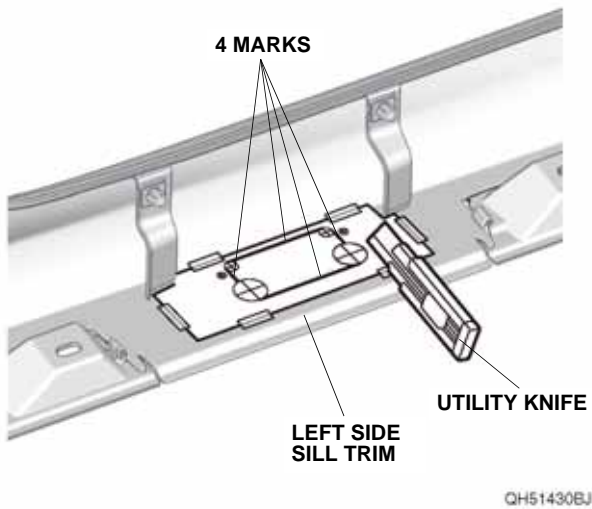


QH51428AJ

142. Using a pushpin, pierce the left side sill trim as shown.  
 NOTE: Pierce perpendicular to the left side sill trim.

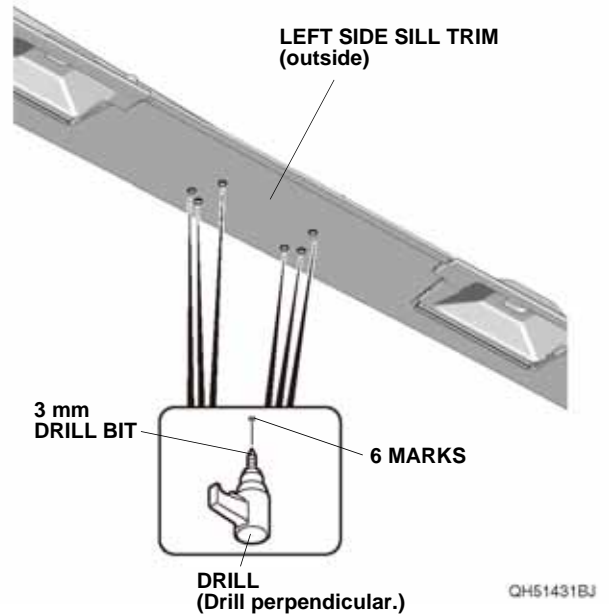


143. Using a utility knife, mark the left side sill trim as shown.

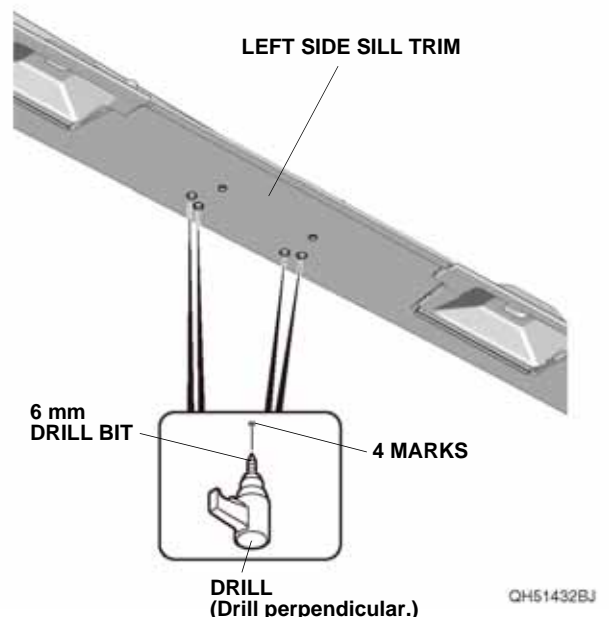


144. Remove the template (2 Door) (L).

145. While wearing eye protection, drill the 6 pierced marks on the left side sill trim with a 3 mm drill bit.  
 NOTE: Drill perpendicular to left side sill trim.



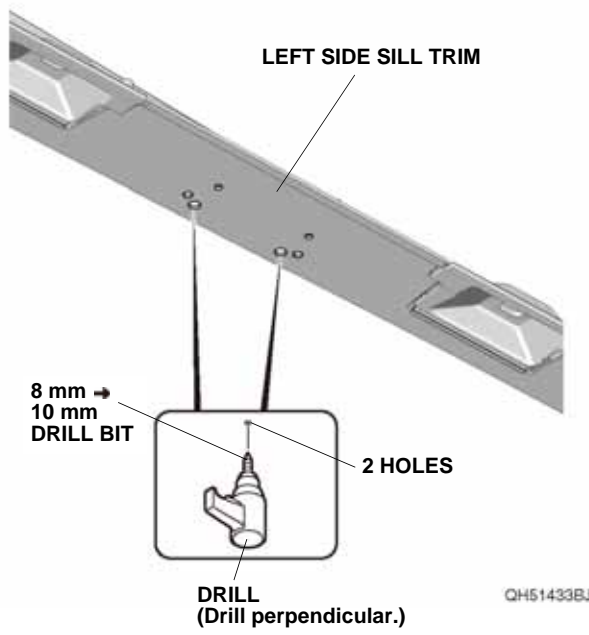
146. While wearing eye protection, drill the four 3mm holes on the left side sill trim with a 6 mm drill bit.  
 NOTE:
- Drill perpendicular to left side sill trim.
  - Make sure to drill the locations shown.



147. While wearing eye protection, drill the two 6mm holes on the left side sill trim to 10 mm. First, drill with an 8 mm drill bit, and finish with a 10 mm drill bit.

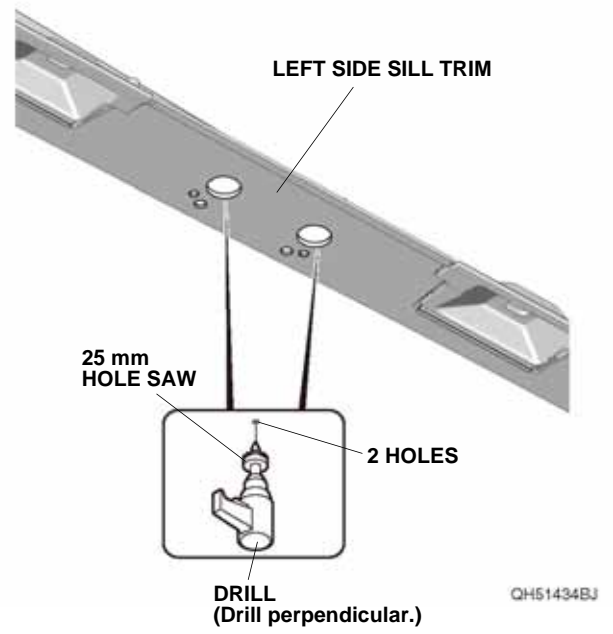
NOTE:

- Drill perpendicular to left side sill trim.
- Make sure to drill the locations shown.

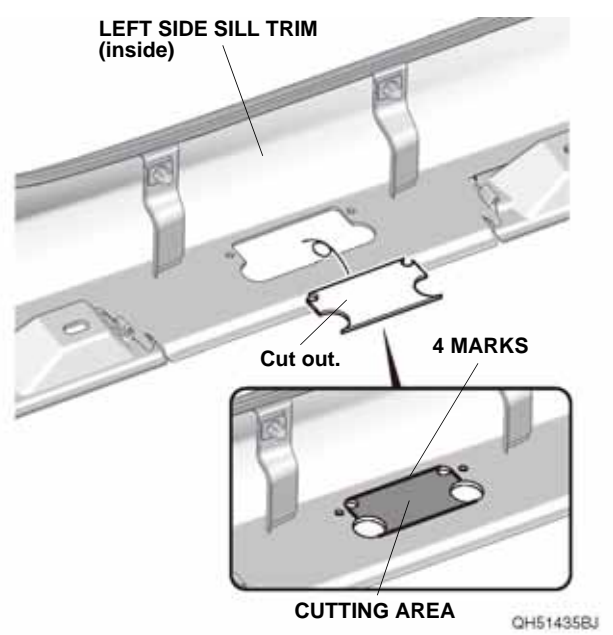


148. While wearing eye protection, drill the two 3 mm holes on the left side sill trim with a 25 mm hole saw. NOTE:

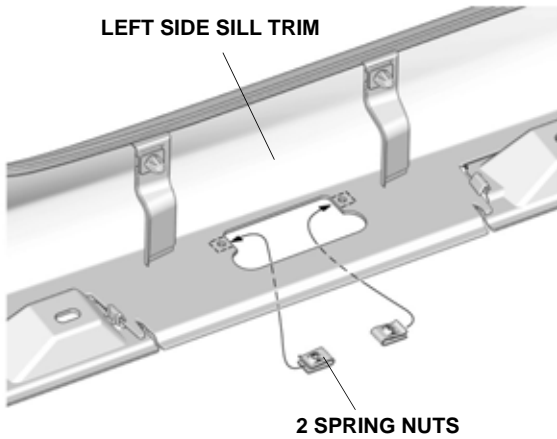
- Drill perpendicular to left side sill trim.
- Make sure to drill the locations shown.



149. Using a hacksaw, cut out the left side sill trim as shown. Remove any burrs.

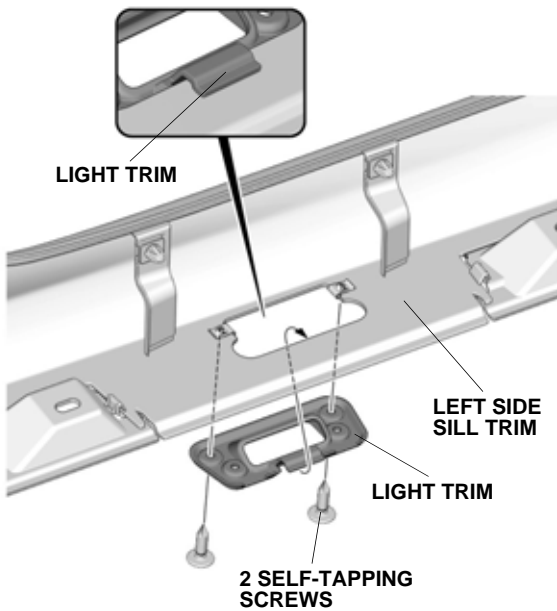


150. Install the two spring nuts to the left side sill trim.  
NOTE: Make sure to install the spring nut with the small hole facing up.



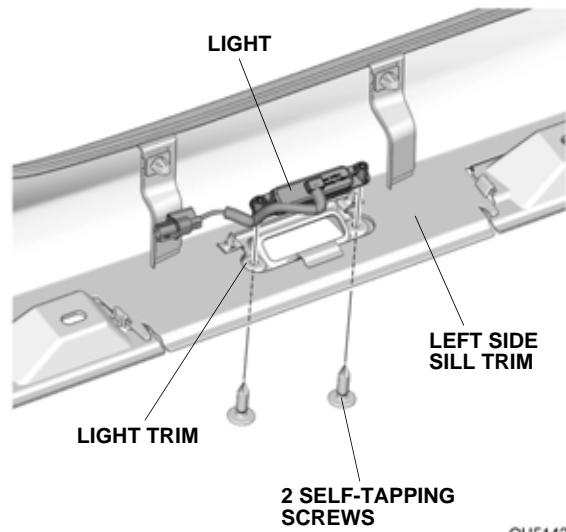
QH51436AJ

151. Install the light trim to the left side sill trim with two self-tapping screws.



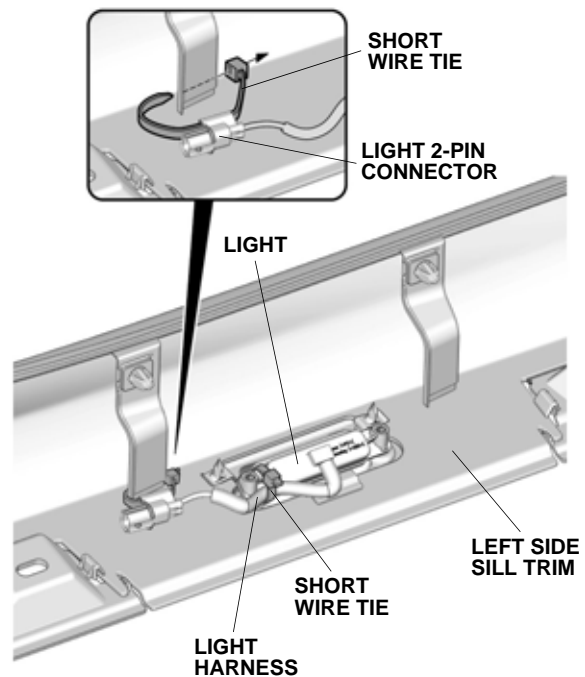
QH51437AJ

152. Install the light to the light trim with two self-tapping screws.



QH51438AJ

153. Secure the light 2-pin connector to the left side sill trim with short wire tie as shown.

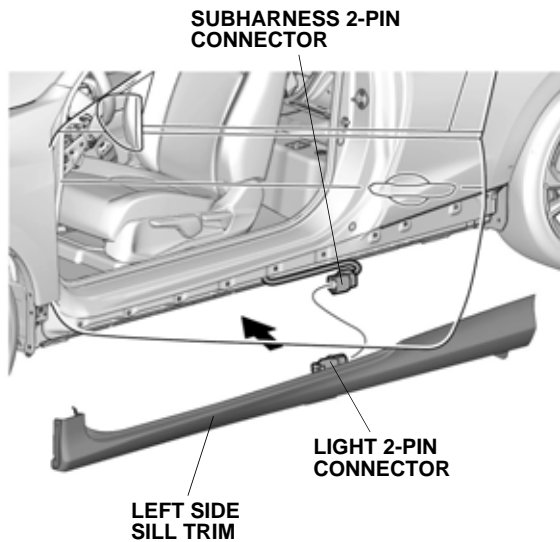


QH51439AJ

154. Secure the light harness to the light with short wire tie as shown.



155. Plug the subharness 2-pin connector into the light 2-pin connector. Install the left side trim.



QH51440AJ

156. Repeat steps 139 through 155 on the right side of the vehicle.
157. Check that all wire harnesses are routed properly and all connectors are plugged in.
158. Install all removed parts.
159. Connect the negative cable to the battery.
160. Turn the engine switch to ON; the SRS indicator should come on for about 6 seconds and then go off.
161. Press and hold the audio unit power button for 2 seconds to restore the audio and navi (if equipped) system functions.
162. Set the clock on vehicle without navigation.
163. If necessary, restore the systems back to normal operation as described in the service information.

#### **Check the Operation of the Puddle Lights**

164. Make sure the light comes on when you open each door.