

YEARS: 2006-2008

MAKE: BMW

MODEL: 7-SERIES

STYLE: SEDAN

WARNING: NEVER EXCEED YOUR VEHICLE MANUFACTURER'S RECOMMENDED TOWING CAPACITY

WEIGHT CARRYING:
 TRAILER WEIGHT: 2,000 LBS.
 TONGUE WEIGHT: 200 LBS.

WARNING:
 WE RECOMMEND THE USE OF 18050 STABILIZING STRAPS FOR ALL NON-TRAILER (WHEEL-LESS) LOADS. PLEASE SEE THE CURT CATALOG OR VISIT US ONLINE AT WWW.CURTMFG.COM FOR FURTHER INFORMATION.

INSTALLATION TIME: 75 MIN.

THE INSTALL TIME LISTED IS FOR PROFESSIONAL INSTALLERS. IF YOU ARE HESITANT TO UNDERTAKE THIS TASK ON YOUR OWN, CONTACT AN AUTHORIZED CURT INSTALLER FOR ADDITIONAL ASSISTANCE.

INSTALLATION REQUIRES:

RATCHET	T-25 TORXBIT SOCKET	8mm 16mm SOCKET
8" SOCKET EXTENSION	BOXED END WRENCH 8mm	ROTARY TOOL
TORQUE WRENCH	TAPE MEASURE	MASKING TAPE
SAFETY GLASSES		

INSTALLATION TIPS:

- BEFORE YOU BEGIN INSTALLATION, READ ALL INSTRUCTIONS THOROUGHLY.
- TO EASE INSTALLATION, 2 PEOPLE MAY BE REQUIRED.
- USING PROPER TOOLS WILL GREATLY IMPROVE THE QUALITY OF THE INSTALL AND REDUCE THE TIME REQUIRED.
- NEED HELP OR HAVE SOME QUESTIONS? CALL TECHNICAL SUPPORT AT 800.798.0813

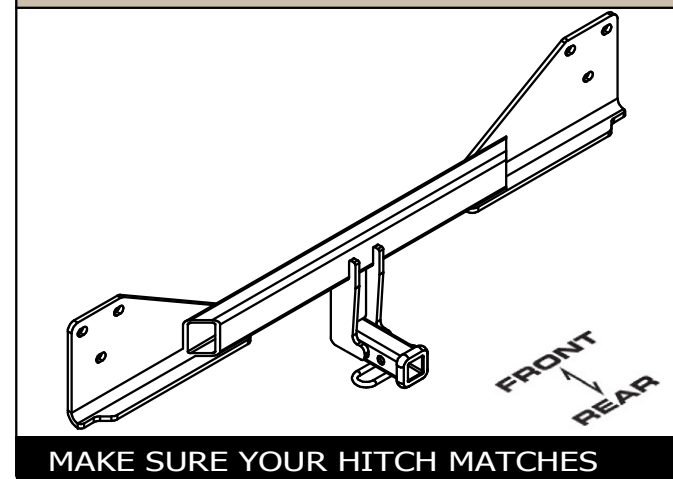
LEVEL OF DIFFICULTY: CHALLENGING

EASY	MODERATE	CHALLENGING
TRIM	TRIMMING REQUIRED	
PART REMOVAL	REMOVE BUMPER COVER	
PART REMOVAL	REMOVE BUMPER BEAM	
	NO DRILLING REQUIRED	

VEHICLE PHOTO:



HITCH ILLUSTRATION:

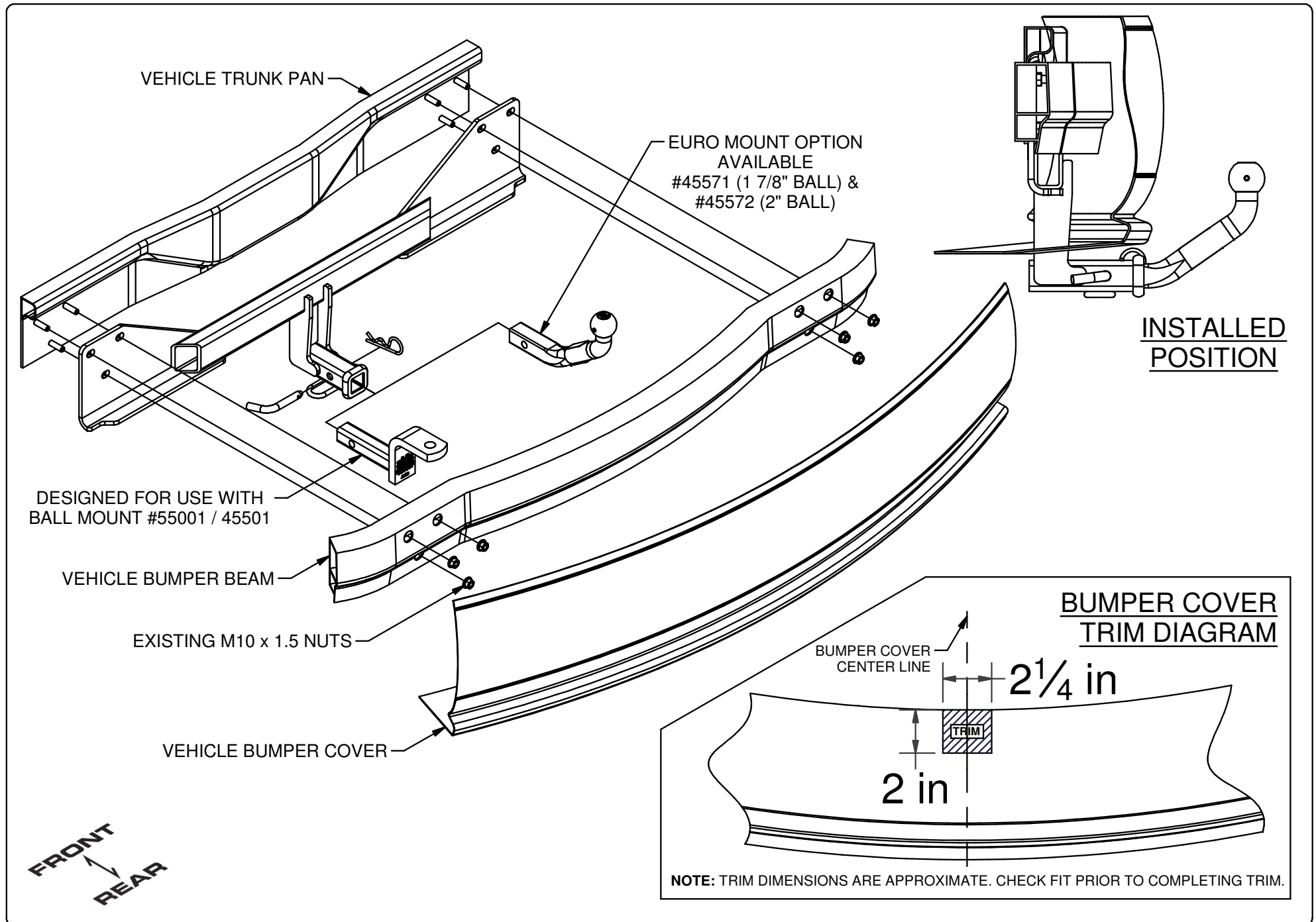


PERIODICALLY CHECK THIS RECEIVER HITCH TO ENSURE ALL FASTENERS ARE TIGHT AND ALL STRUCTURAL COMPONENTS ARE SOUND

CURT Manufacturing LLC. warrants this product to be free of defects in material and/or workmanship at the time of retail purchase by the original purchaser. If the product is found to be defective, Curt Manufacturing LLC. may repair or replace the product at their option, when the product is returned, prepaid, with proof of purchase. Alteration to, misuse of, or improper installation of this product voids the warranty. Curt Manufacturing LLC.'s liability is limited to repair or replacement of products found to be defective, and specifically excludes liability for incidental or consequential loss or damage.

For more information log onto www.curtmfg.com, & for helpful towing tips log onto www.hitchinfo.com

INSTALLATION WALKTHROUGH:



For more information log onto www.curtmfg.com, & for helpful towing tips log onto www.hitchinfo.com

INSTALLATION WALKTHROUGH:

1. Remove (3) fasteners from each wheel well.



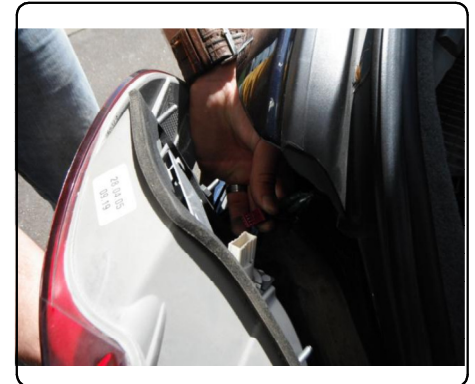
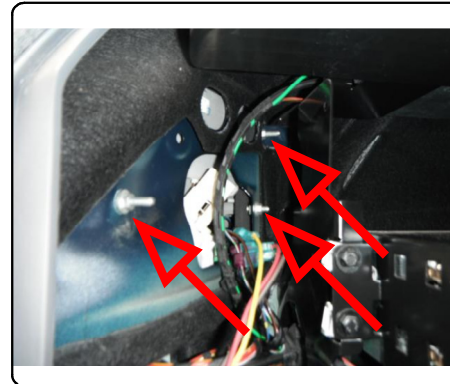
2. Pop off trim which runs horizontally along the lower portion of bumper cover.



3. Remove (4) fasteners which are located under trim removed in STEP 2.



4. Remove (3) nuts from behind each tail light and unplug electrical clip. **Note:** These nuts and plugs are accessed through the trunk. Carefully remove tail lights.



INSTALLATION WALKTHROUGH:

5. Pop off trim located below the tail lights removed in STEP 4.



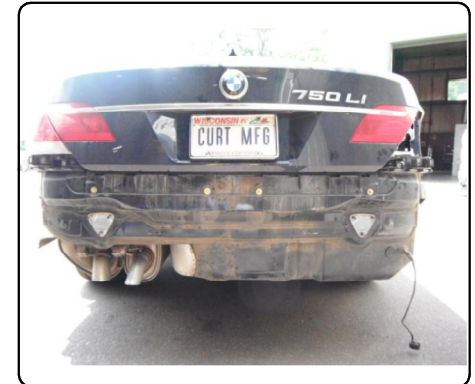
6. Remove (1) fastener from underneath each piece of trim removed in STEP 5.



7. Carefully remove bumper cover. Pop sides off first, pull straight back and unplug from vehicle. Remove foam insert and return to vehicle owner.



8. Remove bumper beam by removing (6) M10 nuts.



INSTALLATION WALKTHROUGH:

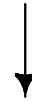
9. Place hitch into position over threaded studs and place bumper beam over hitch. Clamp hitch between vehicle trunk pan and bumper beam using the nuts removed in STEP 8. Torque all M10 hardware to 48 ft-lbs.



10. Hold bumper cover in position and mark where to trim. See BUMPER COVER TRIM DIAGRAM on PAGE 1.



11. Reinstall bumper cover. **Note:** An approximate 1" square may need to be trimmed from bumper cover support and heat shield if there is interference with the hitch. This may require the removal of (1) fastener which attaches the heat shield to bumper cover support.



12. Reinstall all components removed in STEPS 1-6.
Install is complete.



11267

BMW 7-SERIES

12/17/2012

PAGE 1 of 2

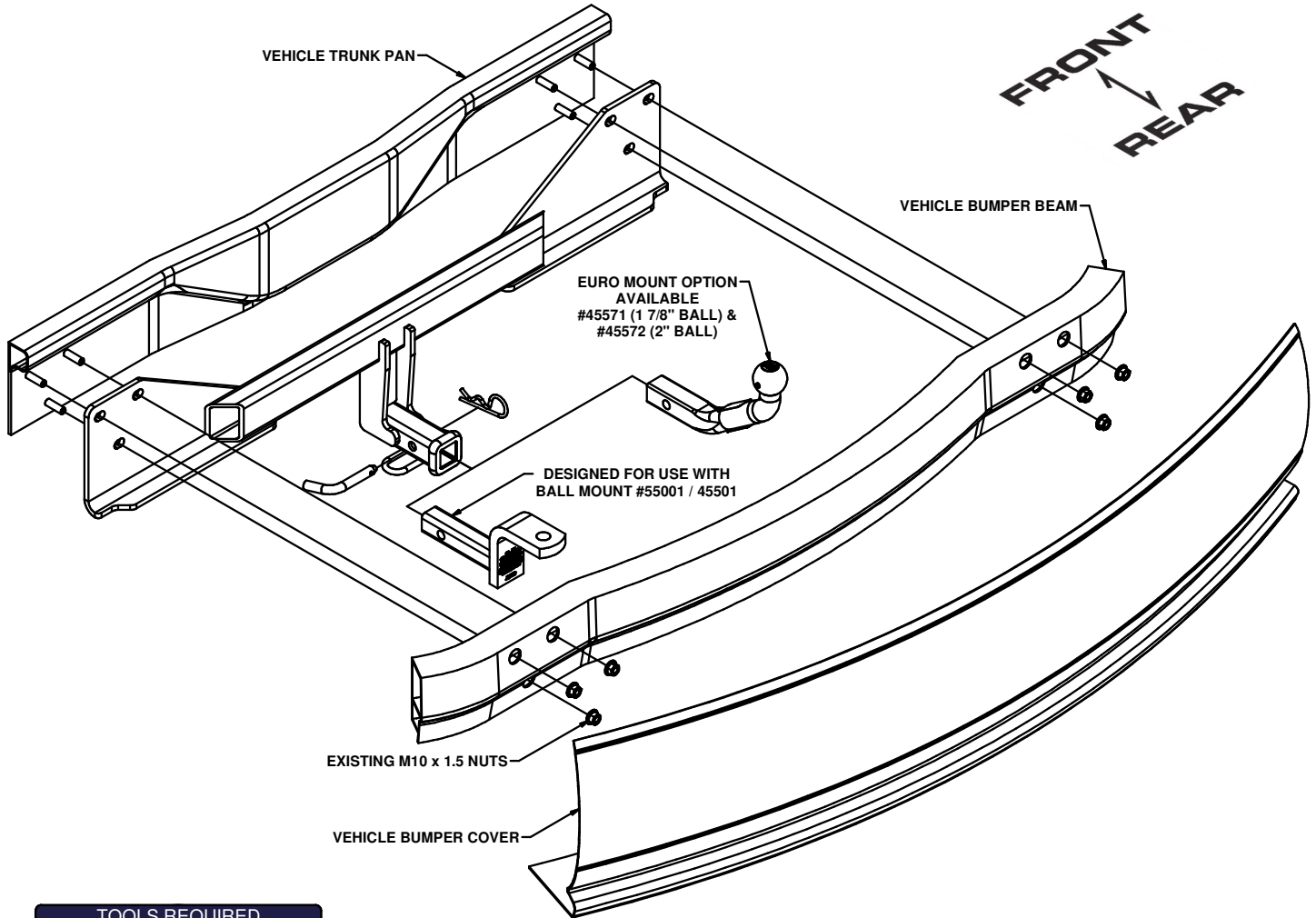
GROSS LOAD CAPACITY WHEN USED AS A WEIGHT CARRYING HITCH: 2,000 LBS. TRAILER WEIGHT & 200 LBS. TONGUE WEIGHT.

*****DO NOT EXCEED VEHICLE MANUFACTURER'S RECOMMENDED TOWING CAPACITY.*****

WARNING: ALL NON-TRAILER LOADS APPLIED TO THIS PRODUCT MUST BE SUPPORTED BY 18050 STABILIZING STRAPS.

**** FAILURE TO PROPERLY SUPPORT NON-TRAILER LOADS WILL VOID PRODUCT WARRANTY****

HAVING INSTALLATION QUESTIONS? CALL TECHNICAL SUPPORT AT 1-800-798-0813



TOOLS REQUIRED	
RATCHET	
T-25 TORX	
16mm & 8mm SOCKET	
SOCKET EXTENSION	
8mm END WRENCH	
ROTARY TOOL	
TAPE MEASURE	
TORQUE WRENCH	
MASKING TAPE	
SAFETY GLASSES	

HITCH WEIGHT: 33 LBS.

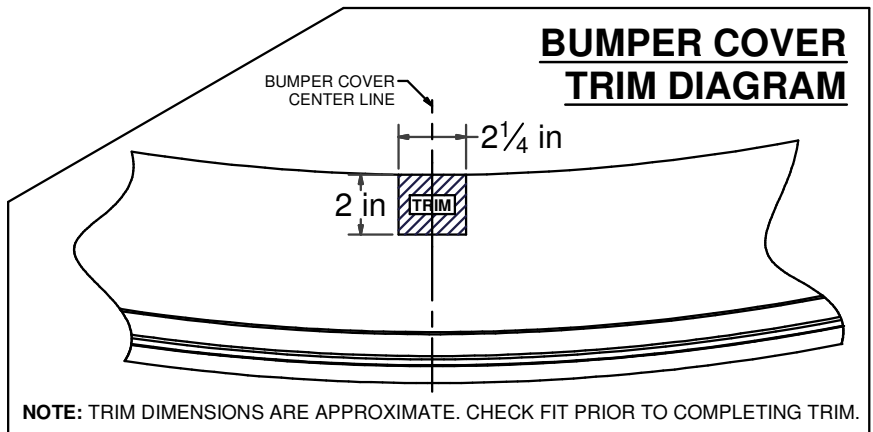
INSTALL TIME

PROFESSIONAL: 75 MINUTES

NOVICE (DIY): 150 MINUTES

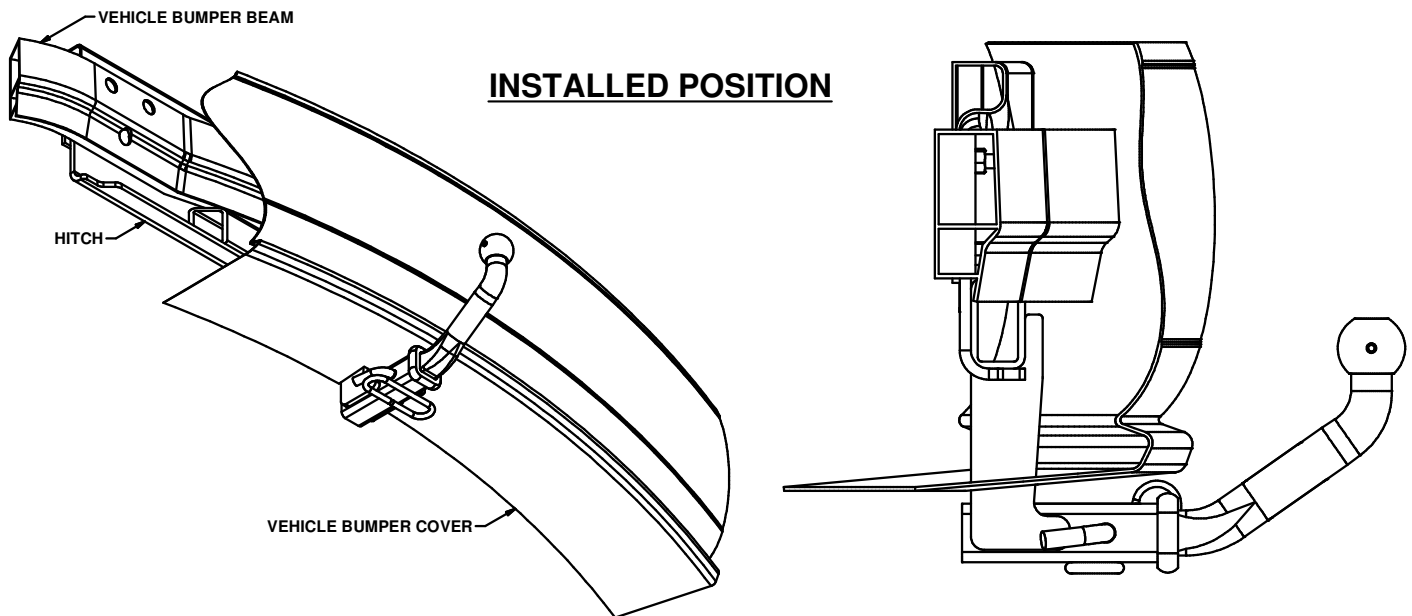
INSTALL NOTES:

- TRIMMING REQUIRED
- REMOVE BUMPER COVER
- REMOVE BUMPER BEAM
- NO DRILLING REQUIRED



PERIODICALLY CHECK THIS RECEIVER HITCH TO ENSURE THAT ALL FASTENERS ARE TIGHT AND THAT ALL STRUCTURAL COMPONENTS ARE SOUND.

Curt Manufacturing LLC., warrants this product to be free of defects in material and/or workmanship at the time of retail purchase by the original purchaser. If the product is found to be defective, Curt Manufacturing LLC., may repair or replace the product, at their option, when the product is returned, prepaid, with proof of purchase. Alteration to, misuse of, or improper installation of this product voids the warranty. Curt Manufacturing LLC.'s liability is limited to repair or replacement of products found to be defective, and specifically excludes liability for incidental or consequential loss or damage.



INSTALLATION STEPS

1. Remove (3) fasteners from each wheel well.
2. Pop off trim which runs horizontally along the lower portion of bumper cover.
3. Remove (4) fasteners which are located under trim removed in STEP 2.
4. Remove (3) nuts from behind each tail light and unplug electrical clip. **Note:** These nuts and plugs are accessed through the trunk. Carefully remove tail lights.
5. Pop off trim located below the tail lights removed in STEP 4.
6. Remove (1) fastener from underneath each piece of trim removed in STEP 5.
7. Carefully remove bumper cover. Pop sides off first, pull straight back and unplug from vehicle.
8. Remove foam insert and return to vehicle owner. Remove bumper beam by removing (6) M10 nuts.
9. Place hitch into position over threaded studs and place bumper beam over hitch. Clamp hitch between vehicle trunk pan and bumper beam using the nuts removed in STEP 8. Torque all M10 hardware to 48 ft-lbs.
10. Hold bumper cover in position and mark where to trim. See BUMPER COVER TRIM DIAGRAM on PAGE 1.
11. Reinstall bumper cover. **Note:** An approximate 1" square may need to be trimmed from bumper cover support and heat shield if there is interference with the hitch. This may require the removal of (1) fastener which attaches the heat shield to bumper cover support.
12. Reinstall all components removed in STEPS 1-6.

PERIODICALLY CHECK THIS RECEIVER HITCH TO ENSURE THAT ALL FASTENERS ARE TIGHT AND THAT ALL STRUCTURAL COMPONENTS ARE SOUND.