

YEARS: 2015-PRESENT

MAKE: JEEP

MODEL: RENEGADE

STYLE: SUV

**WARNING: NEVER EXCEED YOUR VEHICLE MANUFACTURER'S RECOMMENDED TOWING CAPACITY**  
 For more information log onto [www.curtmfg.com](http://www.curtmfg.com) & for helpful towing tips log onto [www.hitchinfo.com](http://www.hitchinfo.com)

**WEIGHT CARRYING:**  
 TRAILER WEIGHT: 3,500 LBS.  
 TONGUE WEIGHT: 525 LBS.

**WARNING:**  
 WE RECOMMEND THE USE OF 18050 STABILIZING STRAPS FOR ALL NON-TRAILER (WHEEL-LESS) LOADS. PLEASE SEE THE CURT CATALOG OR VISIT US ONLINE AT [WWW.CURTMFG.COM](http://WWW.CURTMFG.COM) FOR FURTHER INFORMATION.

**PRO INSTALL TIME: 30 MIN.**  
**NOVICE INSTALL TIME: 60 MIN.**

IF YOU ARE HESITANT TO UNDERTAKE THIS TASK ON YOUR OWN, CONTACT AN AUTHORIZED CURT INSTALLER FOR ADDITIONAL ASSISTANCE.

**INSTALLATION TIPS:**

- BEFORE YOU BEGIN INSTALLATION, READ ALL INSTRUCTIONS THOROUGHLY.
- TO EASE INSTALLATION, 2 PEOPLE MAY BE REQUIRED.
- USING PROPER TOOLS WILL GREATLY IMPROVE THE QUALITY OF THE INSTALL AND REDUCE THE TIME REQUIRED.
- NEED HELP OR HAVE SOME QUESTIONS? CALL TECHNICAL SUPPORT AT 800.798.0813

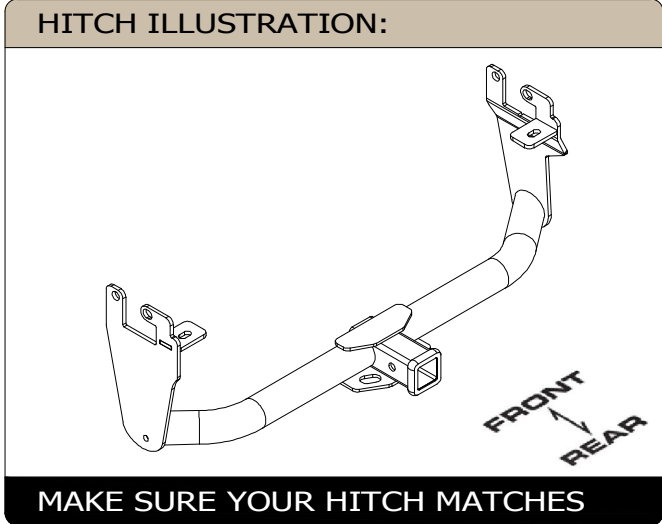


**INSTALLATION REQUIRES:**

RATCHET	<b>3/4" 21mm</b> SOCKET	<b>8" SOCKET EXTENSION</b>
DIE GRINDER	TORQUE WRENCH	UTILITY KNIFE
UNIVERSAL JOINT SOCKET	OFFSET SCREWDRIVER	SAFETY GLASSES

**LEVEL OF DIFFICULTY: MODERATE**

EASY	MODERATE	CHALLENGING
	HOLE ENLARGEMENT REQUIRED	
	WELDNUT CLEANING	
	FISHWIRE	
	NO DRILL	
	REVERSE FISHWIRE	



SCAN FOR MORE INFO

**PERIODICALLY CHECK THIS RECEIVER HITCH TO ENSURE ALL FASTENERS ARE TIGHT AND ALL STRUCTURAL COMPONENTS ARE SOUND**

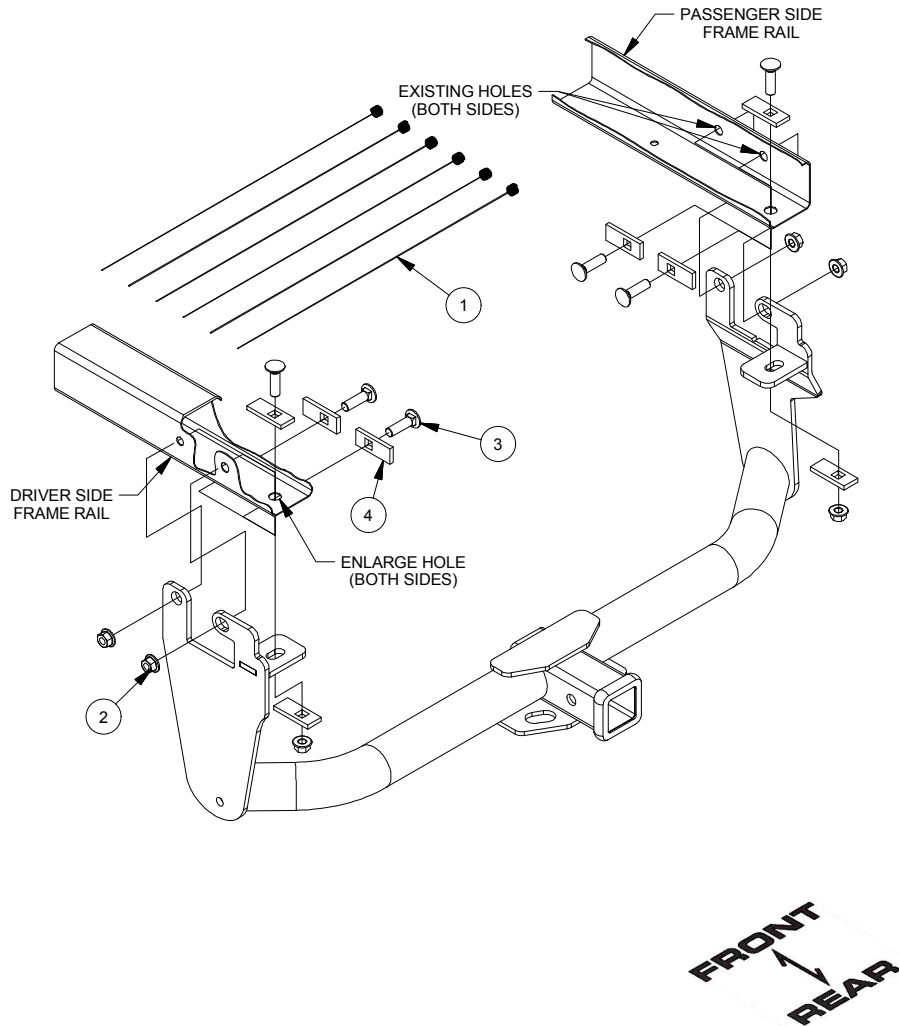
CURT Manufacturing LLC. warrants this product to be free of defects in material and/or workmanship at the time of retail purchase by the original purchaser. If the product is found to be defective, CURT Manufacturing LLC. may repair or replace the product at their option, when the product is returned, prepaid, with proof of purchase. Alteration to, misuse of, or improper installation of this product voids the warranty. CURT Manufacturing LLC.'s liability is limited to repair or replacement of products found to be defective, and specifically excludes liability for incidental or consequential loss or damage.

For more information log onto [www.curtmfg.com](http://www.curtmfg.com) , & for helpful towing tips log onto [www.hitchinfo.com](http://www.hitchinfo.com)

This product complies with safety specifications and requirements for connecting devices and towing systems of the state of New York, V.E.S.C.Regulation V-5 and SAE J684.

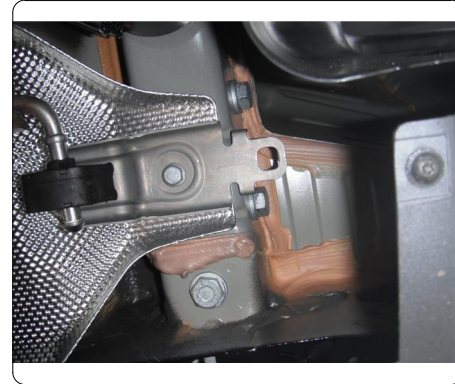
# INSTALLATION WALKTHROUGH:

		Parts List	
ITEM	QTY	PART NUMBER	DESCRIPTION
1	6	1_2 FISHWIRE	1/2" FISHWIRE
2	6	HFN 1213, GR8	HEX FLANGE NUT
3	6	1/2-13 x 1 3/4, GR8	CARRIAGE BOLT
4	8	CM-SP10	.250 x 1.00 x 2.50" SQUARE HOLE SPACER

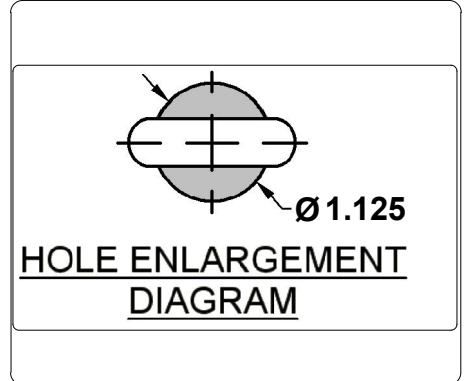


1. Remove (1) rubber plug on the bottom of each frame rail.  
Remove (2) rubber plugs on the outside of each frame rail.

**Trailhawk Models:** Remove (3) M14 bolts on each frame rail using a 21mm socket and save for reinstallation. Skip to step 5.



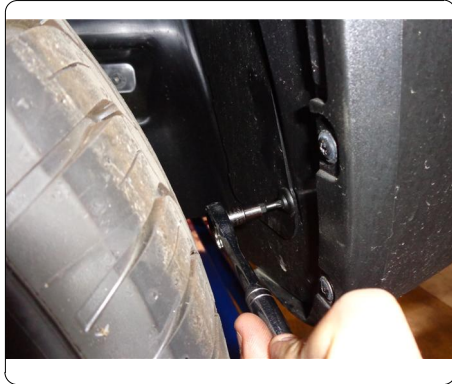
2. Enlarge the rearmost hole with a die grinder on each frame rail to allow the carriage bolts and spacers to be inserted into the frame rail.



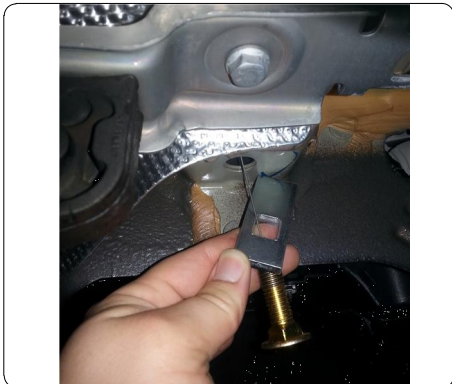
## INSTALLATION WALKTHROUGH:

3. Clear away caulk as necessary near mounting holes using a utility knife. On the passenger side, remove (2) plastic screws retaining an access panel located in the wheel well using an offset phillips screwdriver. Save for reinstallation.

**Note:** Removal of the rear wheels may ease installation.



4. Fishwire (2) 1/2" carriage bolts and (2) CM-SP10's into the holes on the outside of each frame rail. Reverse Fishwire (1) 1/2" carriage bolt and (1) CM-SP10 into the hole on the bottom of each frame rail. Keep fishwires attached until hitch is raised into position.



5. Raise the hitch into position, thread the fishwires into the mounting holes. On the bottom attachments, place a CM-SP10 spacer on the bolt and loosely install all 1/2" hex flange nuts with a 3/4" socket.

**Trailhawk Models:** Raise hitch and loosely install factory M14 hardware removed in Step 1.



6. Torque all 1/2" hardware to 110 ft.-lbs or M14 hardware to 135 ft.-lbs. Reinstall access panel and plastic screws removed in Step 3.



## TOWING SAFETY INFORMATION

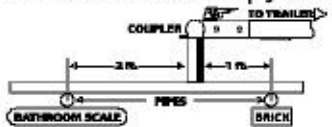
### Gross Trailer Weight / GTW

The Gross Trailer Weight is the weight of the trailer & cargo. Measure this by putting the fully loaded trailer on a vehicle scale.



### Tongue Weight / TW

The downward force that is exerted on the hitch ball by the coupler. The tongue weight will vary depending on where the load is positioned in relationship to the trailer axle(s). To measure the tongue weight, use either a commercial scale or a bathroom scale with the coupler at towing height. When using a bathroom scale with heavier tongue weights, use the method shown and multiply the scale reading by 3.



### Weight Carrying / WC

The total weight of both the trailer and the cargo inside. Never exceed the weight capacity of your trailer hitch.

### Weight Distribution / WD

Used to balance the weight of the cargo between the front and rear wheels throughout the trailer, allowing for better steering, braking, and level riding.



### Sway Control

A device used to reduce the lateral movements of the trailer that are caused by the wind. This works in conjunction with a weight distribution hitch. Do not use this on a class 1 or 2 hitch, or with surge brakes.

### How Much Can You Safely Tow?

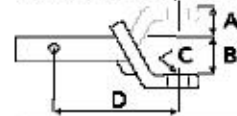
TONGUE WEIGHT (lb.)	1000	2000	3000	4000	5000	6000	7000	8000	10,000	12,000	
CLASS 1	CLASS 1										
CLASS 2	CLASS 2										
CLASS 3	CLASS 3										
CLASS 4	CLASS 4										
CLASS 5	CLASS 5										
TRAILER TYPE	11"	12"	13"	14"	15"	16"	17"	18"	19"	20"	
<b>Coupler</b>											
11" Coupler	1100	1200	1300	1400	1500	1600					
<b>Weighted</b>											
11" Weighted	2100	2400	2700	3000	3300	3600	3900	4200	4500	4800	
<b>Weighted</b>											
11" Weighted	2800	3200	3600	4000	4400	4800	5200	5600	6000	6400	
20" Wheel											

*Refer to owner's manual for towing capabilities and limitations.*

### Ball Mount

The ball mount is placed inside the opening of the receiver hitch which is mounted to the vehicle. Make sure a hitch pin and clip is properly securing the ball mount to the receiver hitch before you begin towing.

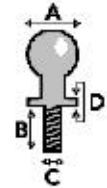
- A: Rise. B: Drop. C: Hole Size. D: Length.



### Trailer Ball

The connection from the hitch to the trailer. There are many factors that determine the correct hitch ball:

- Number one is the hitch ball's gross trailer weight rating.
- The mounting platform must be at least 3/8" thick.
- The hole diameter must not be more than 1/16" larger than the threaded shank.
- Every time you tow, check the nut and lock washer to make sure they are fastened securely.
- A: Ball Dia. B: Shank Length. C: Shank Dia. D: Shank Rise.



### Coupler

The component that is placed over the trailer ball to connect the vehicle to the trailer. Be sure that the coupler size matches the size of the hitch ball and that the coupler handle is securely fastened. To determine what size hitch ball you need for your application you will need to know the size of coupler that is on the trailer. Be sure your coupler is properly adjusted to the ball you are using.

NOTE: For added security the use of safety devices such as Coupler Safety Pins and Locks is strongly recommended.

### Safety Chains

Safety chains are a requirement and should be crossed under the tongue of the trailer so that the tongue will not drop to the road if it becomes separated from the hitch. Always leave enough slack so you can turn. Never allow the safety chains to drag on the ground and never attach the chains to the bumper.

Trailer Classification: Safety Chain Breaking Force - Minimum

Class 1: 2,000 lbs. (8.9 kN)

Class 2: 3,500 lbs. (15.6 kN)

Class 3: 5,000 lbs. (22.2 kN)

The strength rating of each length of safety chain or its equivalent and its attachments shall be equal to or exceed in minimum breaking force the GVWR (Gross Vehicle Weight Rating) of the trailer.

### Electrical

Trailer lights, Electric Brakes, Break-away systems - Every time you tow, be sure to check that all components are working properly.

Wiring identification by color:



CURT DISCLAIMER: WIRING COLOR SHOWN WORK IN CONJUNCTION WITH CURT MANUFACTURING PRODUCTS.

13269

## JEEP RENEGADE

1/18/2016

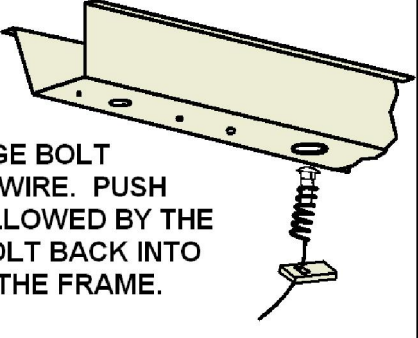
GROSS LOAD CAPACITY WHEN USED AS A WEIGHT CARRYING HITCH: 3,500 LBS. TRAILER WEIGHT &amp; 525 LBS. TONGUE WEIGHT.

WARNING: ALL NON-TRAILER LOADS APPLIED TO THIS PRODUCT MUST BE SUPPORTED BY 18050 STABILIZING STRAPS.

**WARNING: \*\* FAILURE TO PROPERLY SUPPORT NON-TRAILER LOADS WILL VOID PRODUCT WARRANTY \*\*****WARNING: \*\*\* DO NOT EXCEED VEHICLE MANUFACTURER'S RECOMMENDED TOWING CAPACITY \*\*\***FOR MORE INFORMATION LOG ONTO [WWW.CURTMFG.COM](http://WWW.CURTMFG.COM) & FOR HELPFUL TOWING TIPS LOG ONTO [WWW.HITCHINFO.COM](http://WWW.HITCHINFO.COM)  
HAVING INSTALLATION QUESTIONS? CALL TECHNICAL SUPPORT AT 1-800-798-0813

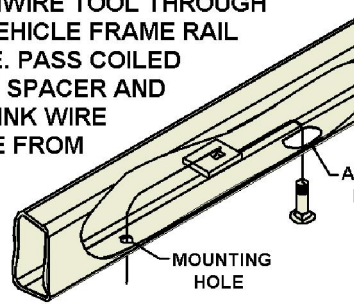
## Parts List

ITEM	QTY	PART NUMBER	DESCRIPTION
1	6	1_2 FISHWIRE	1/2" FISHWIRE
2	6	HFN 1213, GR8	HEX FLANGE NUT
3	6	1/2-13 x 1 3/4, GR8	CARRIAGE BOLT
4	8	CM-SP10	.250 x 1.00 x 2.50" SQUARE HOLE SPACER

REVERSE PULL FISHWIRE  
TECHNIQUE


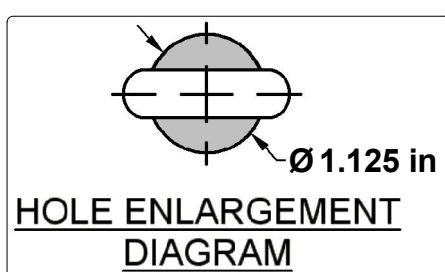
ATTACH FISHWIRE TO CARRIAGE BOLT AND SLIDE SPACER ONTO FISHWIRE. PUSH THE BOLT THRU THE HOLE FOLLOWED BY THE SPACER (AS SHOWN). PULL BOLT BACK INTO POSITION, PROTRUDING FROM THE FRAME.

## FISHWIRE TECHNIQUE



INSERT COILED END OF FISHWIRE TOOL THROUGH HITCH MOUNTING HOLE IN VEHICLE FRAME RAIL AND OUT THE ACCESS HOLE. PASS COILED END OF FISHWIRE THROUGH SPACER AND THREAD BOLT INTO COIL. KINK WIRE TO KEEP SPACER SEPARATE FROM BOLT AS SHOWN. PULL FISHWIRE, SPACER, AND BOLT THROUGH FRAME AND OUT MOUNTING HOLE. USE FISHWIRE TO GUIDE HITCH DURING MOUNTING AND PREVENT LOSS OF BOLT / SPACER INSIDE FRAME RAIL.

\*\*NOTE: SOME VEHICLES MAY FISHWIRE THROUGH END OF FRAME\*\*



## TOOLS REQUIRED

RATCHET  
TORQUE WRENCH  
3/4" SOCKET  
21mm SOCKET  
8" EXTENSION  
DIE GRINDER  
UTILITY KNIFE  
OFFSET SCREWDRIVER  
UNIVERSAL JOINT SOCKET  
SAFETY GLASSES

HITCH WEIGHT: 37 LBS.

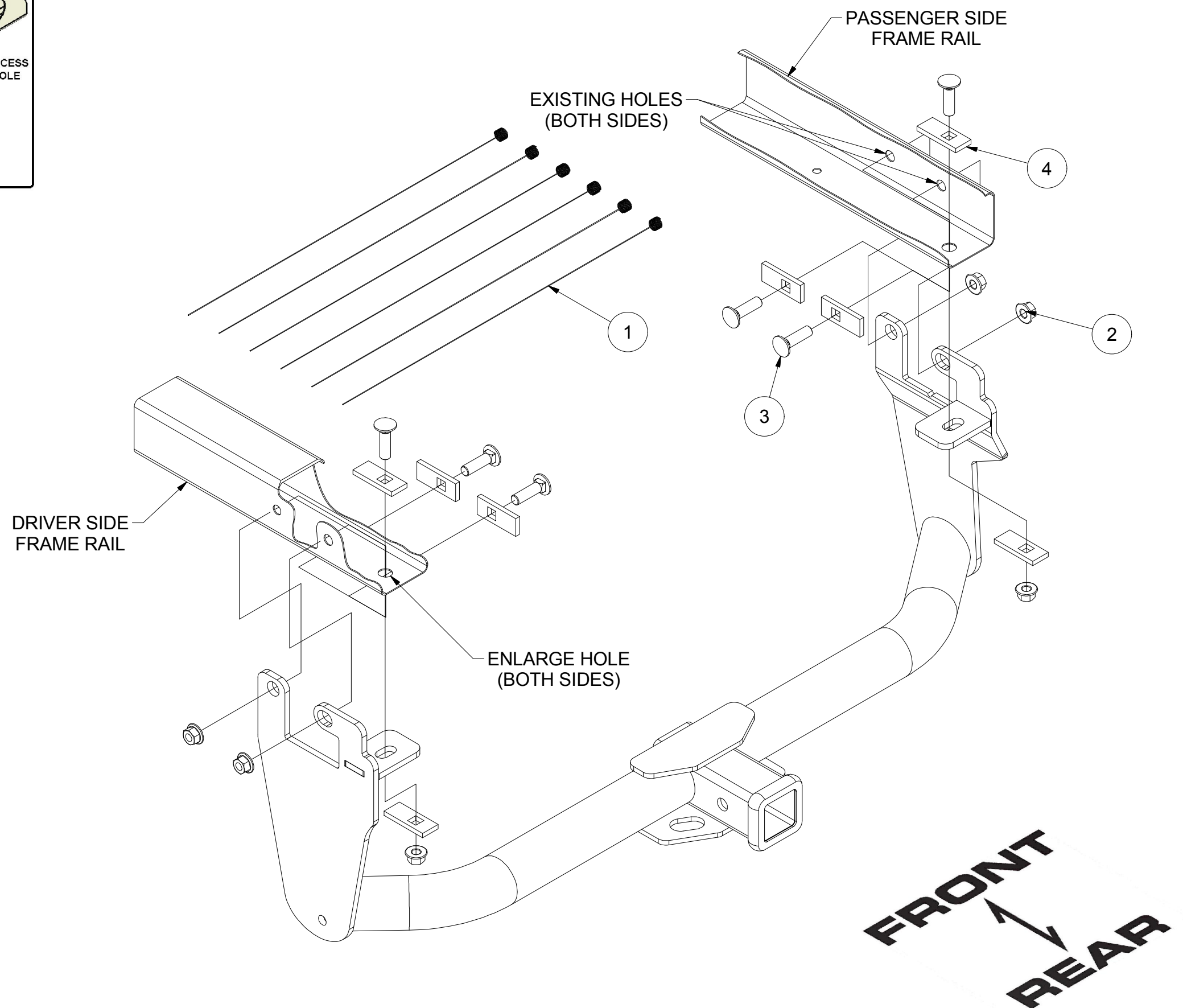
## INSTALL TIME

PROFESSIONAL: 30 MINUTES

NOVICE (DIY): 60 MINUTES

## INSTALL NOTES:

-HOLE ENLARGEMENT REQUIRED  
-FISHWIRE HARDWARE  
-REVERSE FISHWIRE HARDWARE  
-WELDNUT CLEANING  
-NO DRILL



## INSTALLATION STEPS

- Remove (1) rubber plug on the bottom of each frame rail. Remove (2) rubber plugs on the outside of each frame rail. **Trailhawk Models:** Remove (3) M14 bolts on each frame rail using a 21mm socket and save for reinstallation. Skip to step 5.
- Enlarge the rearmost hole with a die grinder on each frame rail to allow the carriage bolts and spacers to be inserted into the frame rail. (See Hole Enlargement Diagram.)
- Clear away caulk as necessary near mounting holes using a utility knife. On the passenger side, remove (2) plastic screws retaining an access panel located in the wheel well using an offset phillips screwdriver. Save for reinstallation. **Note:** Removal of rear wheels may ease installation.
- Fishwire (2) 1/2" carriage bolts and (2) CM-SP10's into the holes on the outside of each frame rail (See Fishwire Technique Diagram). Reverse Fishwire (1) 1/2" carriage bolt and (1) CM-SP10 into the hole on the bottom of each frame rail. Keep fishwires attached until hitch is raised into position (See Reverse Technique Diagram.)
- Raise the hitch into position, thread the fishwire into the mounting holes. On the bottom attachments, place a CM-SP10 spacer on the bolt and loosely install all 1/2" flange nuts using a 3/4" socket. **Trailhawk Models:** Raise hitch and loosely install factory M14 hardware removed in Step 1.
- Torque all 1/2" hardware to 110 ft.-lbs or M14 hardware to 135 ft.-lbs. Reinstall access panel and plastic screws removed in Step 3.

Scan  
for more  
information**PERIODICALLY CHECK THIS RECEIVER HITCH TO ENSURE THAT ALL FASTENERS ARE TIGHT AND THAT ALL STRUCTURAL COMPONENTS ARE SOUND.**

CURT Manufacturing LLC., warrants this product to be free of defects in material and/or workmanship at the time of retail purchase by the original purchaser. If the product is found to be defective, CURT Manufacturing LLC., may repair or replace the product, at their option, when the product is returned, prepaid, with proof of purchase. Alteration to, misuse of, or improper installation of this product voids the warranty. CURT Manufacturing LLC.'s liability is limited to repair or replacement of products found to be defective, and specifically excludes liability for incidental or consequential loss or damage.

This product complies with safety specifications and requirements for connecting devices and towing systems of the state of New York, V.E.S.C.Regulation V-5 and SAE J684.