

YEARS: 2016-PRESENT

MAKE: MERCEDES-BENZ

MODEL: GLE350

STYLE: SUV

**WARNING: NEVER EXCEED YOUR VEHICLE MANUFACTURER'S RECOMMENDED TOWING CAPACITY**  
 For more information log onto [www.curtmfg.com](http://www.curtmfg.com) & for helpful towing tips log onto [www.hitchinfo.com](http://www.hitchinfo.com)

**WEIGHT CARRYING:**  
 TRAILER WEIGHT: 7,500 LBS.  
 TONGUE WEIGHT: 750 LBS.

**WARNING:**  
 WE RECOMMEND THE USE OF 18050 STABILIZING STRAPS FOR ALL NON-TRAILER (WHEEL-LESS) LOADS. PLEASE SEE THE CURT CATALOG OR VISIT US ONLINE AT [WWW.CURTMFG.COM](http://WWW.CURTMFG.COM) FOR FURTHER INFORMATION.

**PRO INSTALL TIME: 60 MIN.**  
**NOVICE INSTALL TIME: 120 MIN.**

IF YOU ARE HESITANT TO UNDERTAKE THIS TASK ON YOUR OWN, CONTACT AN AUTHORIZED CURT INSTALLER FOR ADDITIONAL ASSISTANCE.

- INSTALLATION TIPS:**
- BEFORE YOU BEGIN INSTALLATION, READ ALL INSTRUCTIONS THOROUGHLY.
  - TO EASE INSTALLATION, 2 PEOPLE MAY BE REQUIRED.
  - USING PROPER TOOLS WILL GREATLY IMPROVE THE QUALITY OF THE INSTALL AND REDUCE THE TIME REQUIRED.
  - NEED HELP OR HAVE SOME QUESTIONS? CALL TECHNICAL SUPPORT AT 800.798.0813

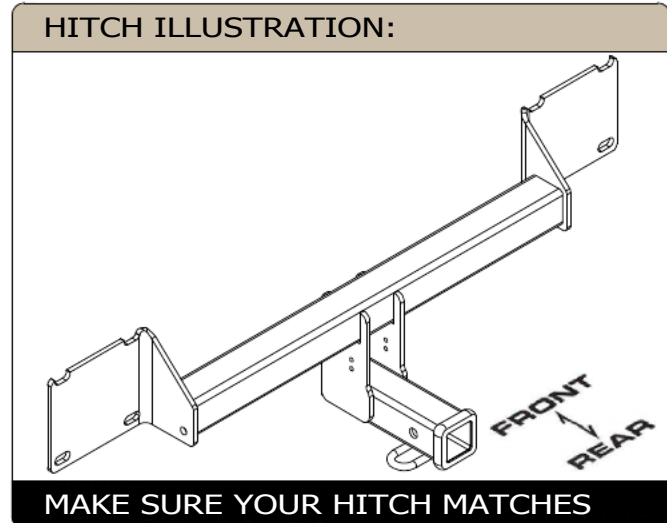


**INSTALLATION REQUIRES:**

<b>TORQUE WRENCH</b>	<b>RATCHET</b>	<b>8" SOCKET EXTENSION</b>
<b>8mm 10mm 16mm 7/16" SOCKET</b>	<b>E-10 TORXBIT T-30 SOCKET T-40</b>	<b>BOXED END WRENCH 7/16"</b>
<b>2ND PERSON</b>		

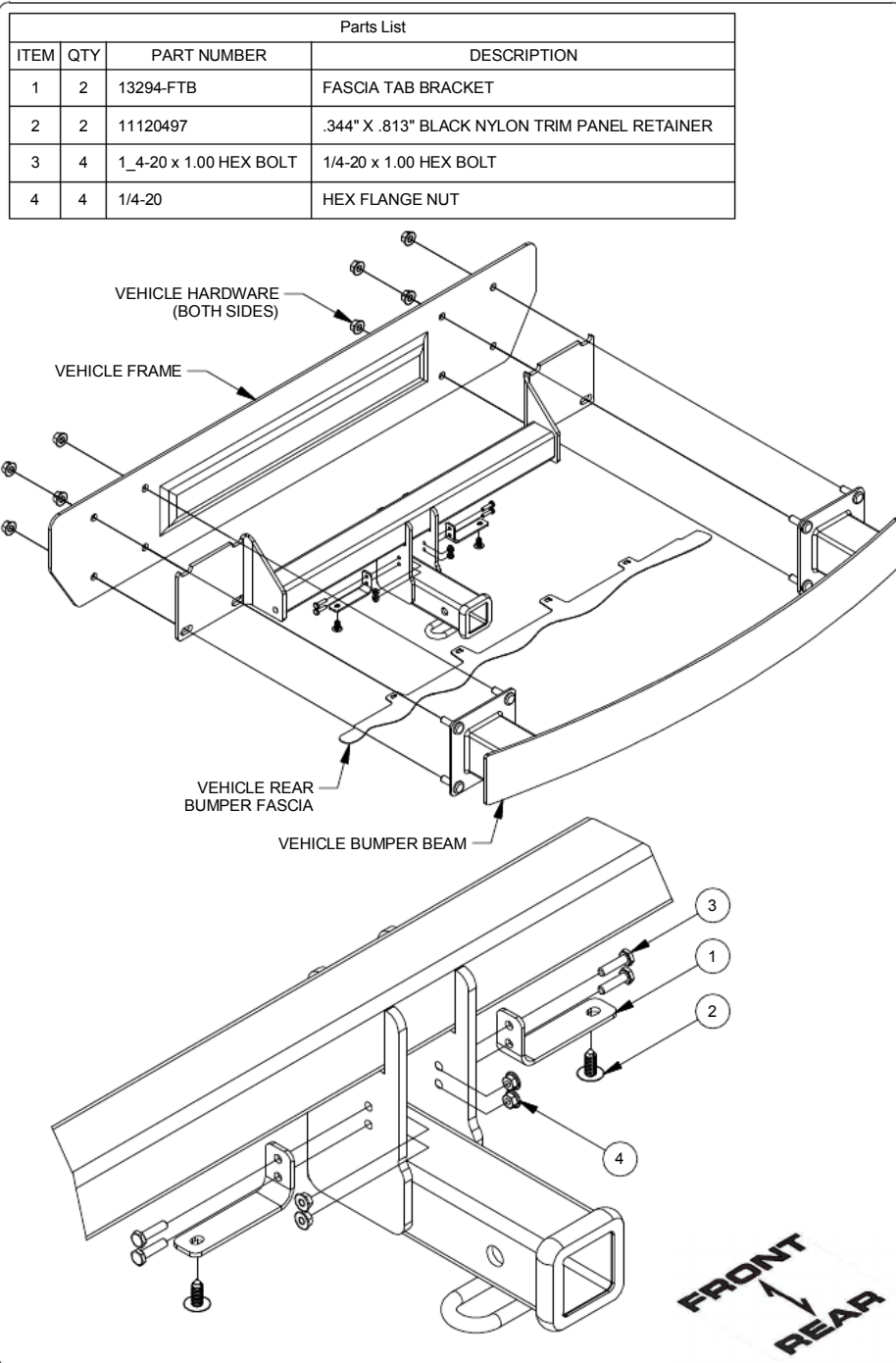
**LEVEL OF DIFFICULTY: CHALLENGING**

EASY	MODERATE	CHALLENGING
<b>PART REMOVAL</b>	<b>TEMPORARILY REMOVE TRUNK CONTENTS AND HEAT SHIELD</b>	
	<b>LOWER EXHAUST</b>	
	<b>NO DRILLING REQUIRED</b>	

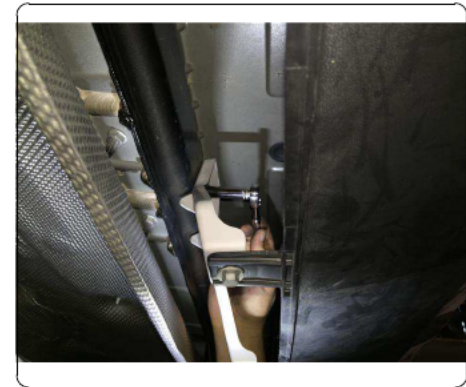
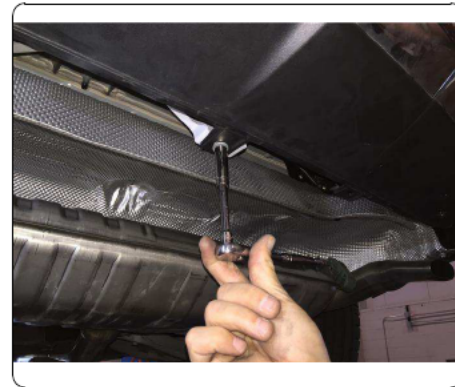


**PERIODICALLY CHECK THIS RECEIVER HITCH TO ENSURE ALL FASTENERS ARE TIGHT AND ALL STRUCTURAL COMPONENTS ARE SOUND**  
 CURT Manufacturing LLC. warrants this product to be free of defects in material and/or workmanship at the time of retail purchase by the original purchaser. If the product is found to be defective, CURT Manufacturing LLC. may repair or replace the product at their option, when the product is returned, prepaid, with proof of purchase. Alteration to, misuse of, or improper installation of this product voids the warranty. CURT Manufacturing LLC.'s liability is limited to repair or replacement of products found to be defective, and specifically excludes liability for incidental or consequential loss or damage.  
 For more information log onto [www.curtmfg.com](http://www.curtmfg.com), & for helpful towing tips log onto [www.hitchinfo.com](http://www.hitchinfo.com)  
 This product complies with safety specifications and requirements for connecting devices and towing systems of the state of New York, V.E.S.C.Regulation V-5 and SAE J684.

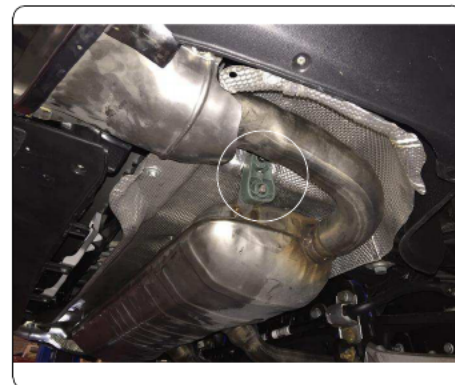
# INSTALLATION WALKTHROUGH:



1. On the fascia tab bracket, locate and remove (2) screws from rear fascia and (1) nut located on top of bracket using 10mm socket. Remove bracket and return to owner.



2. Lower exhaust by removing rubber isolator from hanger attached to vehicle frame, (1) on each side. Support exhaust to prevent damage. (See Rubber Isolator Removal Diagram)  
**NOTE:** Removing exhaust tips using T-40 socket may ease installation.



**RUBBER ISOLATOR REMOVAL DIAGRAM**

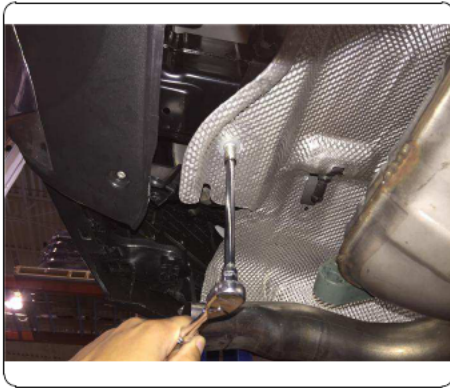
This technique can be used if an Exhaust Hanger Removal Pliers is not available.

Using a 5/8" open end wrench, slide the wrench up to the rubber isolator, cradling the hanger rod as shown. Next place the flat edge of a pry bar between the wrench and the hanger stop or hanger rod. Then simply rotate the pry bar toward the wrench to remove the rubber isolator.

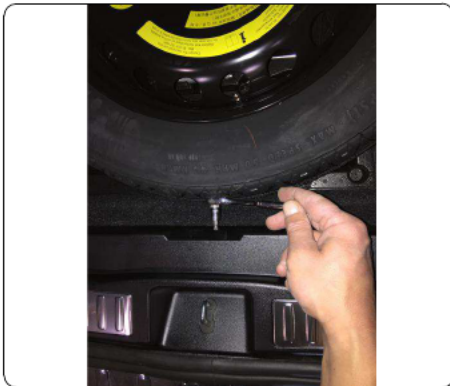
Note: Using a spray lubricant or soapy water on the hanger rod and the rubber isolator helps removal.

## INSTALLATION WALKTHROUGH:

3. Locate on heat shield and remove (6) nuts using 8mm socket, (2) screws using E-10 socket, and (2) screws using 10mm socket. Remove heat shield and set aside for reinstallation.



4. Remove trunk liner guard using T-30 socket to remove screw. Gently unclip trunk liner guard and remove trunk contents to expose bumper beam nut inside vehicle. Set aside trunk contents and trunk liner guard for reinstallation.



5. Inside trunk locate and remove bumper beam nuts, (2) on each side, using 16mm socket.  
**NOTE:** Removing trunk liner bin on driver side may ease installation.



6. Under vehicle locate and remove bumper beam nuts, (2) on each side, using 16mm socket.



## INSTALLATION WALKTHROUGH:

7. After all (8) bumper beam nuts have been removed, with rear fascia still attached, push bumper beam away from vehicle to sandwich hitch between bumper beam and vehicle. Loosely secure vehicle hardware.

**NOTE:** Completing one side at a time may ease installation



8. Secure provided fascia tab brackets to hitch main body plates, with 1/4" hardware, using 7/16 socket and 7/16" boxed end wrench. Align and secure (2) center fascia tabs by pushing nylon retainer clips into fascia tab brackets.



9. Torque all 1/4" hardware to 10 ft-lbs and all M10 hardware to 45 ft-lbs. Reinstall following steps 2 - 4 in reverse order.



INSTALLATION COMPLETE



For more information log onto [www.curtmfg.com](http://www.curtmfg.com), & for helpful towing tips log onto [www.hitchinfo.com](http://www.hitchinfo.com)

## TOWING SAFETY INFORMATION

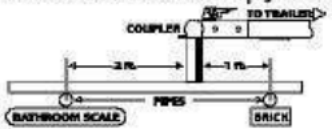
### Gross Trailer Weight / GTW

The Gross Trailer Weight is the weight of the trailer & cargo. Measure this by putting the fully loaded trailer on a vehicle scale.



### Tongue Weight / TW

The downward force that is exerted on the hitch ball by the coupler. The tongue weight will vary depending on where the load is positioned in relationship to the trailer axle(s). To measure the tongue weight, use either a commercial scale or a bathroom scale with the coupler at towing height. When using a bathroom scale with heavier tongue weights, use the method shown and multiply the scale reading by 3.



### Weight Carrying / WC

The total weight of both the trailer and the cargo inside. Never exceed the weight capacity of your trailer hitch.

### Weight Distribution / WD

Used to balance the weight of the cargo between the front and rear wheels throughout the trailer, allowing for better steering, braking, and level riding.



### Sway Control

A device used to reduce the lateral movements of the trailer that are caused by the wind. This works in conjunction with a weight distribution hitch. Do not use this on a class 1 or 2 hitch, or with surge brakes.

### How Much Can You Safely Tow?

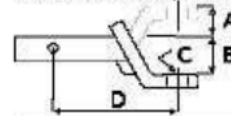
TONGUE WEIGHT	CLASS 1	CLASS 2	CLASS 3	CLASS 4	CLASS 5	CLASS 6	CLASS 7	CLASS 8	CLASS 9	CLASS 10
Tongue weight should be about 10 to 15 percent of the gross trailer weight.	CLASS 1									
	CLASS 2									
	CLASS 3									
	CLASS 4									
	CLASS 5									
<b>Trailer Type</b>	<b>CLASS 1</b>									
<b>Camper</b>	<b>CLASS 2</b>									
Camper (lb.)	1100	1200	1300	1400	1500	1600				
<b>Vocational</b>	<b>CLASS 3</b>									
Vocational (lb.)	2100	2400	2700	3000	3300	3600	3900	4200	4500	4800
<b>Vocational</b>	<b>CLASS 4</b>									
Vocational (lb.)	2800	3200	3600	4000	4400	4800	5200	5600	6000	6400
<b>6th Wheel</b>	<b>CLASS 5</b>									
6th Wheel (lb.)										

Refer to owner's manual for towing capabilities and limitations.

### Ball Mount

The ball mount is placed inside the opening of the receiver hitch which is mounted to the vehicle. Make sure a hitch pin and clip is properly securing the ball mount to the receiver hitch before you begin towing.

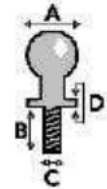
• A: Rise, B: Drop, C: Hole Size, D: Length.



### Trailer Ball

The connection from the hitch to the trailer. There are many factors that determine the correct hitch ball:

- Number one is the hitch ball's gross trailer weight rating.
- The mounting platform must be at least 3/8" thick.
- The hole diameter must not be more than 1/16" larger than the threaded shank.
- Every time you tow, check the nut and lock washer to make sure they are fastened securely.
- A: Ball Dia. B: Shank Length, C: Shank Dia. D: Shank Rise.



### Coupler

The component that is placed over the trailer ball to connect the vehicle to the trailer. Be sure that the coupler size matches the size of the hitch ball and that the coupler handle is securely fastened. To determine what size hitch ball you need for your application you will need to know the size of coupler that is on the trailer. Be sure your coupler is properly adjusted to the ball you are using.

NOTE: For added security the use of safety devices such as Coupler Safety Pins and Locks is strongly recommended.

### Safety Chains

Safety chains are a requirement and should be crossed under the tongue of the trailer so that the tongue will not drop to the road if it becomes separated from the hitch. Always leave enough slack so you can turn. Never allow the safety chains to drag on the ground and never attach the chains to the bumper.

Trailer Classification: Safety Chain Breaking Force - Minimum

Class 1: 2,000 lbs. (8.9 kN)

Class 2: 3,500 lbs. (15.6 kN)

Class 3: 5,000 lbs. (22.2 kN)

The strength rating of each length of safety chain or its equivalent and its attachments shall be equal to or exceed in minimum breaking force the GVWR (Gross Vehicle Weight Rating) of the trailer.

### Electrical

Trailer lights, Electric Brakes, Break-away systems - Every time you tow, be sure to check that all components are working properly.

Wiring identification by color:



CURT DISCLAIMER: WIRING COLOR SHOWN WORK IN CONJUNCTION WITH CURT MANUFACTURING PRODUCTS.

GROSS LOAD CAPACITY WHEN USED AS A WEIGHT CARRYING HITCH: 7,500 LBS. TRAILER WEIGHT & 750 LBS. TONGUE WEIGHT.

WARNING: ALL NON-TRAILER LOADS APPLIED TO THIS PRODUCT MUST BE SUPPORTED BY 18050 STABILIZING STRAPS.



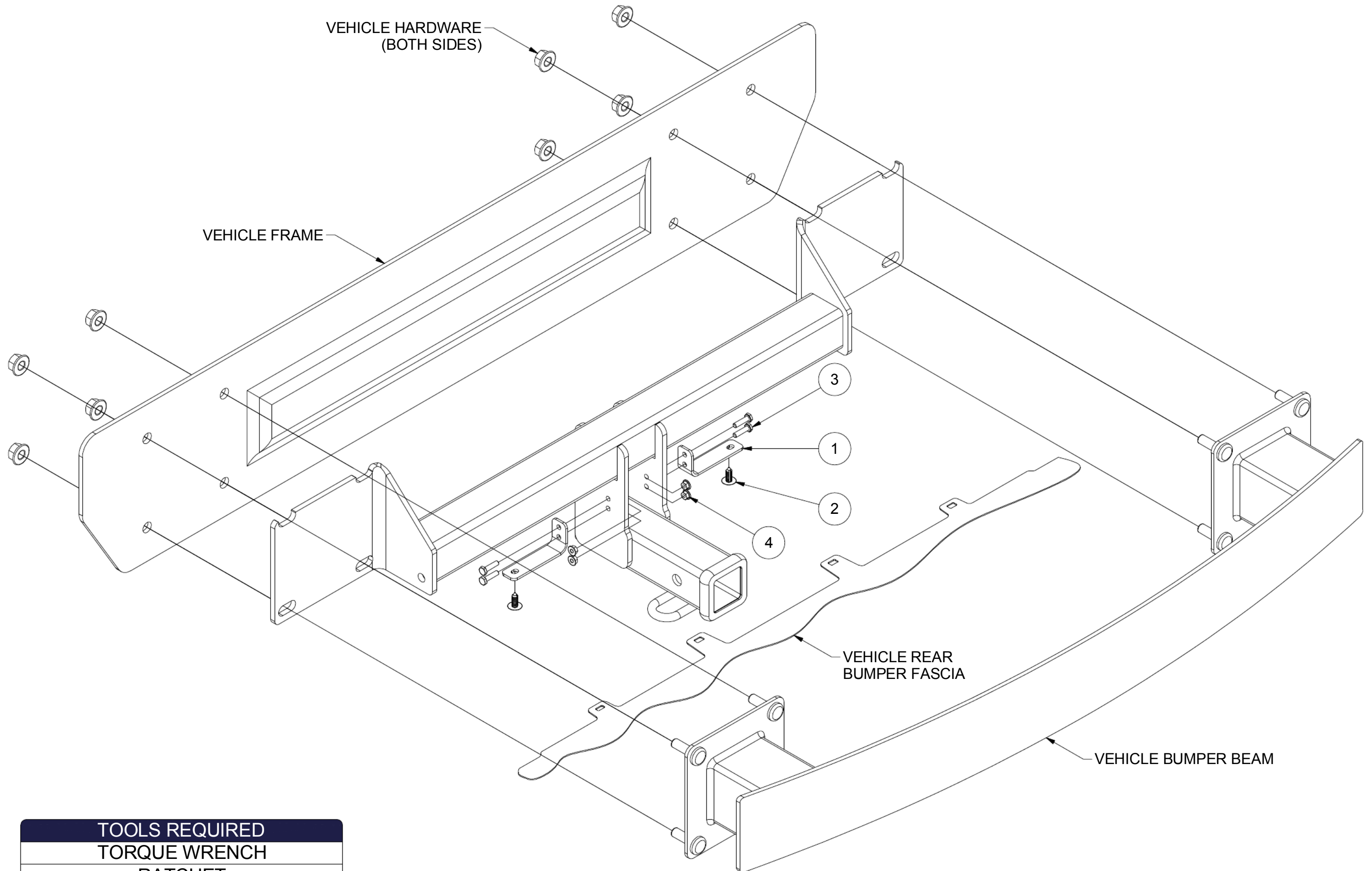
**WARNING: \*\* FAILURE TO PROPERLY SUPPORT NON-TRAILER LOADS WILL VOID PRODUCT WARRANTY \*\***

**WARNING: \*\*\* DO NOT EXCEED VEHICLE MANUFACTURER'S RECOMMENDED TOWING CAPACITY \*\*\***

FOR MORE INFORMATION LOG ONTO [WWW.CURTMFG.COM](http://WWW.CURTMFG.COM) & FOR HELPFUL TOWING TIPS LOG ONTO [WWW.HITCHINFO.COM](http://WWW.HITCHINFO.COM)  
 HAVING INSTALLATION QUESTIONS? CALL TECHNICAL SUPPORT AT 1-877-287-8634



Parts List			
ITEM	QTY	PART NUMBER	DESCRIPTION
1	2	13294-FTB	FASCIA TAB BRACKET
2	2	11120497	.344" X .813" BLACK NYLON TRIM PANEL RETAINER
3	4	1_4-20 x 1.00 HEX BOLT	1/4-20 x 1.00 HEX BOLT
4	4	1/4-20	HEX FLANGE NUT



TOOLS REQUIRED
TORQUE WRENCH
RATCHET
8" SOCKET EXTENSION
8mm, 10mm, 16mm, 7/16" SOCKETS
E10, T30, T40 TORXBIT SOCKETS
7/16" BOXED END WRENCH
2ND PERSON

HITCH WEIGHT: 35 LBS.

**INSTALL TIME**

PROFESSIONAL: 60 MINUTES

NOVICE (DIY): 120 MINUTES

**INSTALL NOTES:**

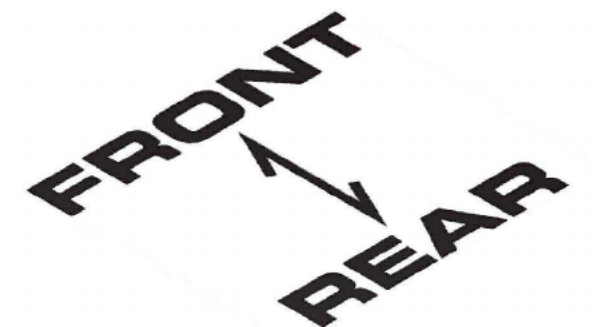
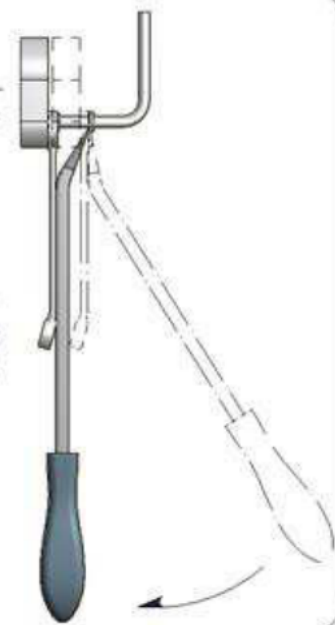
- TEMPORARILY REMOVE TRUNK CONTENTS AND HEAT SHIELD
- LOWER EXHAUST
- NO DRILLING REQUIRED

**RUBBER ISOLATOR REMOVAL DIAGRAM**

This technique can be used if an Exhaust Hanger Removal Pliers is not available.

Using a 5/8" open end wrench, slide the wrench up to the rubber isolator, cradling the hanger rod as shown. Next place the flat edge of a pry bar between the wrench and the hanger stop or hanger rod. Then simply rotate the pry bar toward the wrench to remove the rubber isolator.

Note: Using a spray lubricant or soapy water on the hanger rod and the rubber isolator helps removal.



**PERIODICALLY CHECK THIS RECEIVER HITCH TO ENSURE THAT ALL FASTENERS ARE TIGHT AND THAT ALL STRUCTURAL COMPONENTS ARE SOUND.**

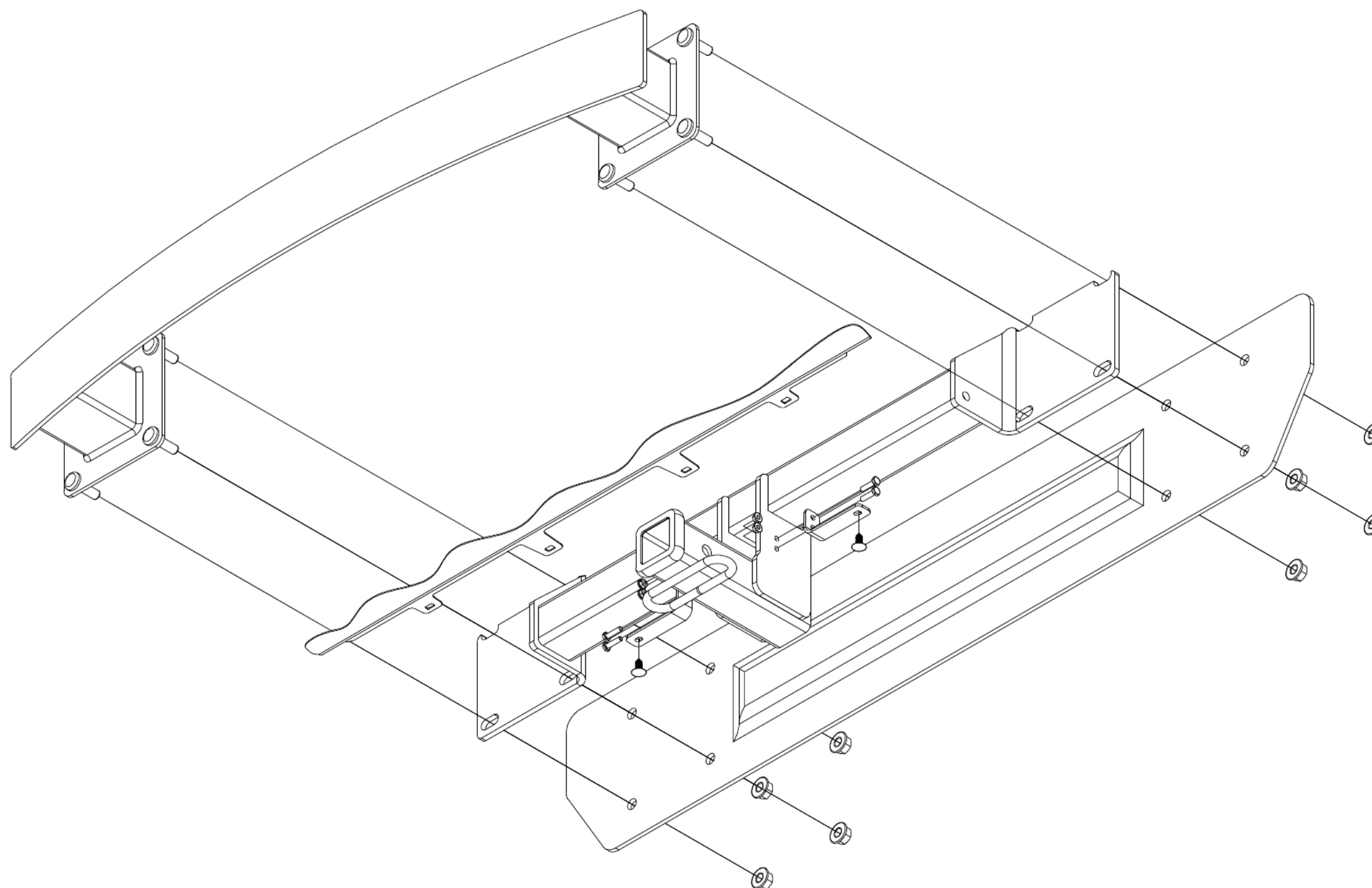


Scan for more information

CURT Manufacturing LLC., warrants this product to be free of defects in material and/or workmanship at the time of retail purchase by the original purchaser. If the product is found to be defective, CURT Manufacturing LLC., may repair or replace the product, at their option, when the product is returned, prepaid, with proof of purchase. Alteration to, misuse of, or improper installation of this product voids the warranty. CURT Manufacturing LLC.'s liability is limited to repair or replacement of products found to be defective, and specifically excludes liability for incidental or consequential loss or damage.

This product complies with safety specifications and requirements for connecting devices and towing systems of the state of New York, V.E.S.C.Regulation V-5 and SAE J684.

HAVING INSTALLATION QUESTIONS? CALL TECHNICAL SUPPORT AT 1-877-287-8634



## INSTALLATION STEPS

1. On the fascia tab bracket, locate and remove (2) screws from rear fascia and (1) nut located on top of bracket using 10mm socket. Remove bracket and return to owner.
2. Lower exhaust by removing rubber isolator from hanger attached to vehicle frame, (1) on each side. Support exhaust to prevent damage. (See Rubber Isolator Removal Diagram)  
**NOTE:** Removing exhaust tips using T-40 socket may ease installation.
3. Locate on heat shield and remove (6) nuts using 8mm socket, (2) screws using E-10 socket, and (2) screws using 10mm socket. Remove heat shield and set aside for reinstallation.
4. Remove trunk liner guard using T-30 socket to remove screw. Gently unclip trunk liner guard and remove trunk contents to expose bumper beam nut inside vehicle. Set aside trunk contents and trunk liner guard for reinstallation.
5. Inside trunk locate and remove bumper beam nuts, (2) on each side, using 16mm socket.  
**NOTE:** Removing trunk liner bin on driver side may ease installation.
6. Under vehicle locate and remove bumper beam nuts, (2) on each side, using 16mm socket.
7. After all (8) bumper beam nuts have been removed, with rear fascia still attached, push bumper beam away from vehicle to sandwich hitch between bumper beam and vehicle. Loosely secure vehicle hardware.  
**NOTE:** Completing one side at a time may ease installation.
8. Secure provided fascia tab brackets to hitch main body plates, with 1/4" hardware, using 7/16" socket and 7/16" boxed end wrench. Align and secure (2) center fascia tabs by pushing nylon retainer clips into fascia tab brackets.
9. Torque all 1/4" hardware to 10 ft-lbs and all M10 hardware to 45 ft-lbs. Reinstall following steps 2 - 4 in reverse order. Installation complete.

**PERIODICALLY CHECK THIS RECEIVER HITCH TO ENSURE THAT ALL FASTENERS ARE TIGHT AND THAT ALL STRUCTURAL COMPONENTS ARE SOUND.**

CURT Manufacturing LLC., warrants this product to be free of defects in material and/or workmanship at the time of retail purchase by the original purchaser. If the product is found to be defective, CURT Manufacturing LLC., may repair or replace the product, at their option, when the product is returned, prepaid, with proof of purchase. Alteration to, misuse of, or improper installation of this product voids the warranty. CURT Manufacturing LLC.'s liability is limited to repair or replacement of products found to be defective, and specifically excludes liability for incidental or consequential loss or damage.

This product complies with safety specifications and requirements for connecting devices and towing systems of the state of New York, V.E.S.C.Regulation V-5 and SAE J684.