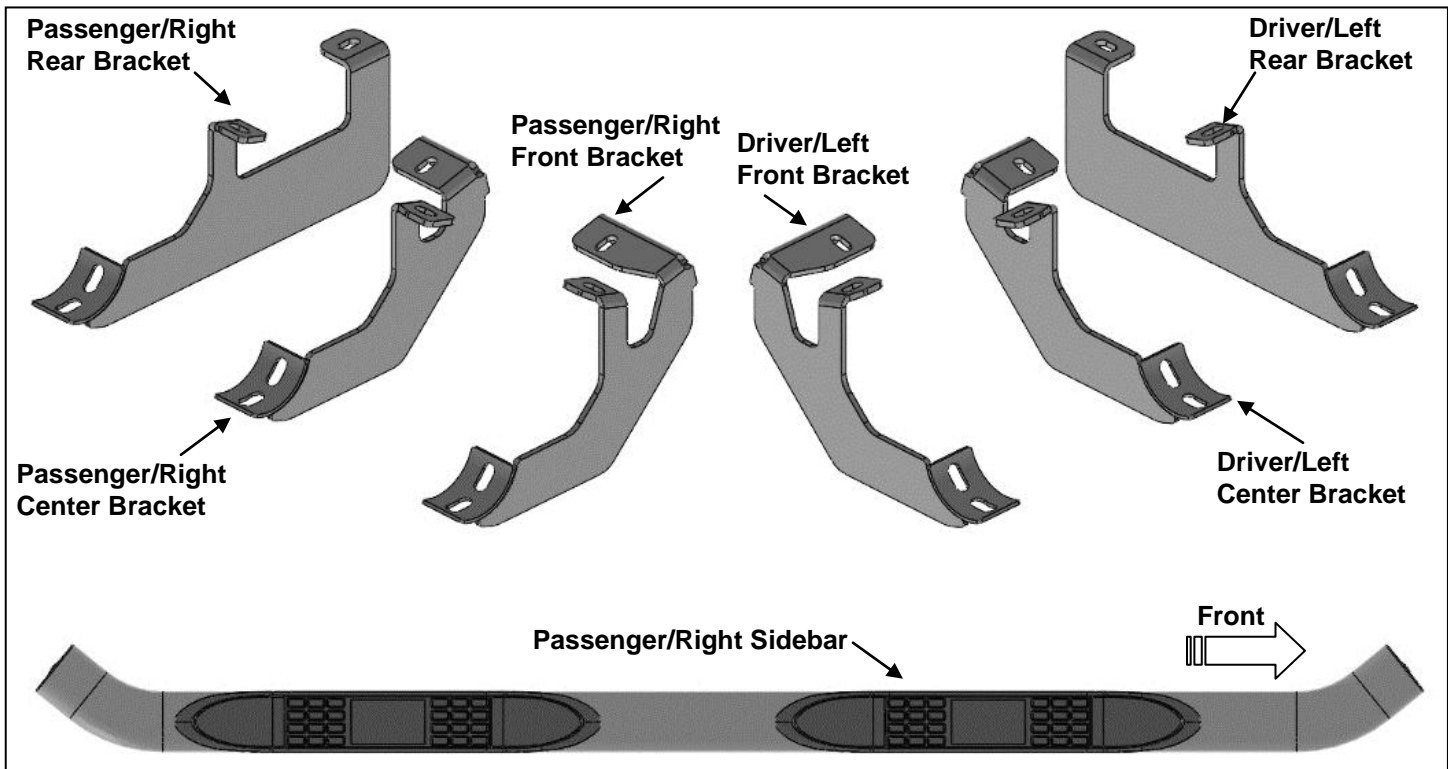


PARTS LIST:

1	Driver/Left Sidebar	4	10mm x 30mm x 2,5mm Flat Washers
1	Passenger/Right Sidebar	4	10mm Lock Washers
1	Driver/Left Front Mounting Bracket	4	10-1.50mm Hex Nuts
1	Passenger/Right Front Mounting Bracket	8	8-1.25mm x 40mm Bolt Plates
1	Driver/Left Center Mounting Bracket	8	8mm Plastic Retainers
1	Passenger/Right Center Mounting Bracket	8	8mm x 24mm x 2mm Flat Washers
1	Driver/Left Rear Mounting Bracket	8	8mm Lock Washers
1	Passenger/Right Rear Mounting Bracket	8	8-1.25mm Hex Nut
4	10mm L-Shapped Bolts	12	8mm Combo Bolts
4	10mm Plastic Retainers	4	Locking Plates

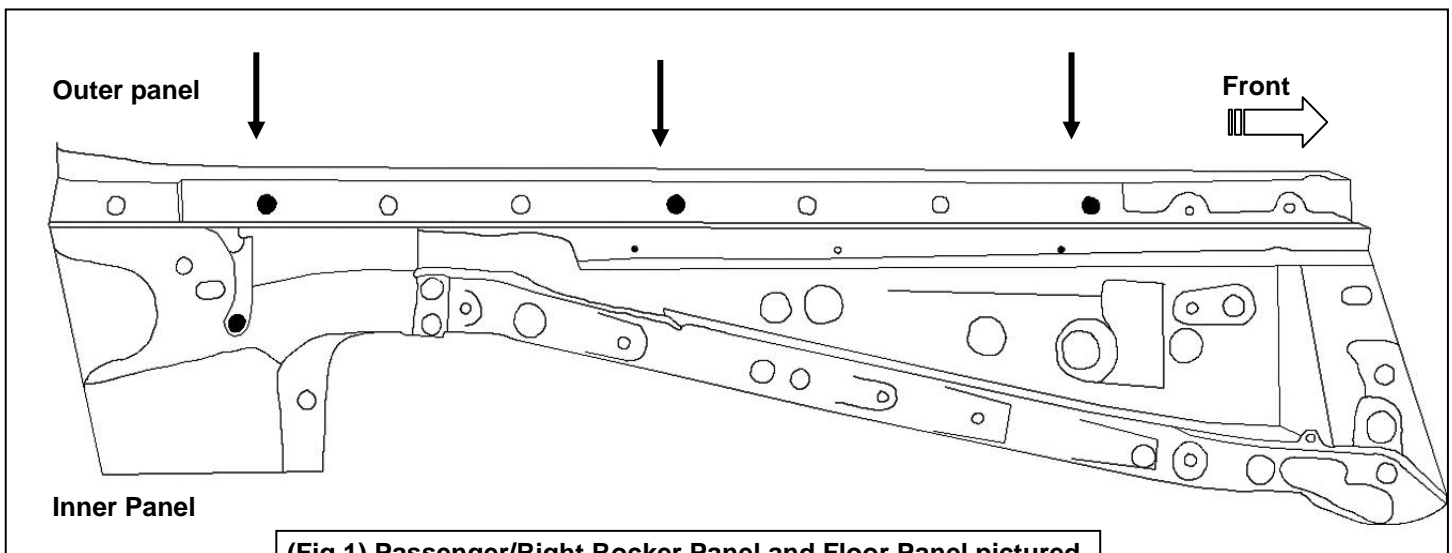


PROCEDURE:

1. REMOVE CONTENTS FROM BOX. VERIFY ALL PARTS ARE PRESENT. READ INSTRUCTIONS CAREFULLY BEFORE STARTING INSTALLATION. CUTTING IS REQUIRED TO INSTALL.
2. Locate the Passenger/Front mounting location and remove the factory round rubber plug in the bottom of the outer rocker panel, (Figures 1, 2, 5 & 6).
3. Select the Passenger/Right Front Mounting Bracket, (Figure 2). Hold the mounting bracket up to the mounting location, (Figures 2 & 3). Trace the outline of the bracket onto the plastic cover where the top of the Passenger/Right Front Mounting Bracket touches, (Figure 4).
4. Move to the center mounting location. Repeat Step 3 to mark the Passenger/Right Center and Rear plastic covers. Move to the rear and repeat Step 3, (Figures 5—8).
5. Remove the plastic covers on the underside of the vehicle.
6. Cut each plastic cover along the marks to allow the Mounting Brackets clearance, (Figures 9A—10B). **IMPORTANT: The covers must be cut for bracket clearance.** Remove any rubber sealant that may interfere with bracket installation, (Figure 11).
7. Reattach the cut plastic covers.
8. Move to the Passenger/Right Front mounting location. Select (1) 8mm Bolt Plate. Insert the Bolt Plate into the hole in the outer rocker panel, (Figure 12A). Slide (1) 8mm Plastic Retainer onto the threads of the bolt plate to hold the bolt in position, (Figure 12C).

9. Select (1) 10mm L-Shapped Bolt, **(Figure 12B)**. Insert the L-Shapped Bolt into the hole in the inner floor panel. Slide (1) 10mm Plastic Retainer on the threads of the bolt plate to hold the bolt in place, **(Figure 12C)**.
10. Select the Passenger/Right Front Mounting Bracket.
 - a. **For the 10mm L-Shaped Bolt.** Attach the bracket to the L-Shaped Bolt with (1) Locking Plate, (1) 10mm Flat Washer, (1) 10mm Lock Washer and (1) 10mm Hex Nut.
 - b. **For the 8mm Bolt Plate.** Attach the bracket to the bolt plate with (1) 8mm Flat Washer, (1) 8mm Lock Washer and (1) 8mm Hex Nut, **(Figures 13—15)**. Do not tighten hardware at this time.
11. Move to the Passenger/Right Center mounting location, **(Figure 1)**. Select the Passenger/Right Center Mounting Bracket. Repeat **Steps 8—10** to attach the bracket to the panels, **(Figures 16 & 17)**.
12. Move to the Passenger/Right Rear mounting location, **(Figures 1 & 18)**. Insert (2) 8mm Bolt Plates into the outer hole in the outer rocker panel and the inner hole in the inner floor panel. Slide (2) Plastic Retainers to hold the bolt plate in place, **(Figures 12A & 19)**. Select the Passenger/Right Rear Mounting Bracket. Attach the bracket to the Bolt Plates with (2) 8mm Flat Washers, (2) 8mm Lock Washers and (2) 8mm Hex Nuts, **(Figures 20 & 21)**.
13. Select and carefully unwrap the Passenger/Right Sidebar. Attach the Sidebar to the mounting brackets with (6) 8mm Combo Bolts, **(Figure 22)**.
14. Repeat **Steps 2—13** for the Driver/Left Sidebar installation, **(Figures 23—25)**.
15. Do periodic inspections to the installation to make sure that all hardware is secure and tight.

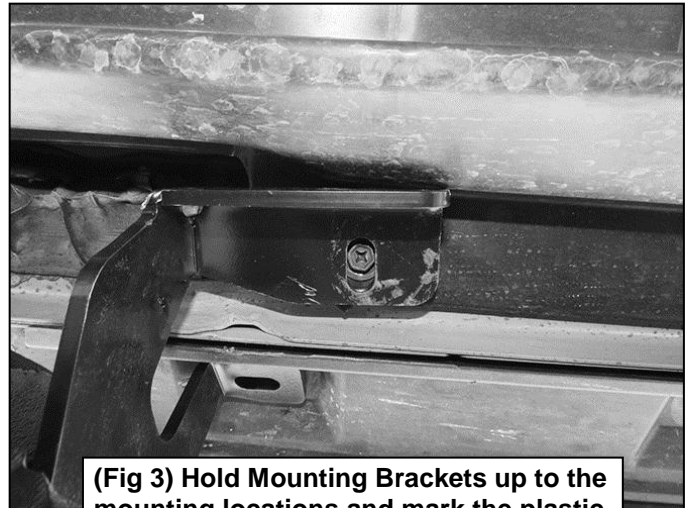
To protect your investment, Do not use any type of polish or wax that may contain abrasives that could damage the finish. **For stainless steel:** Aluminum polish may be used to polish small scratches and scuffs on the finish. Mild soap may be used also to clean the Sidebar. Mild soap may be used to clean the Sidebar.



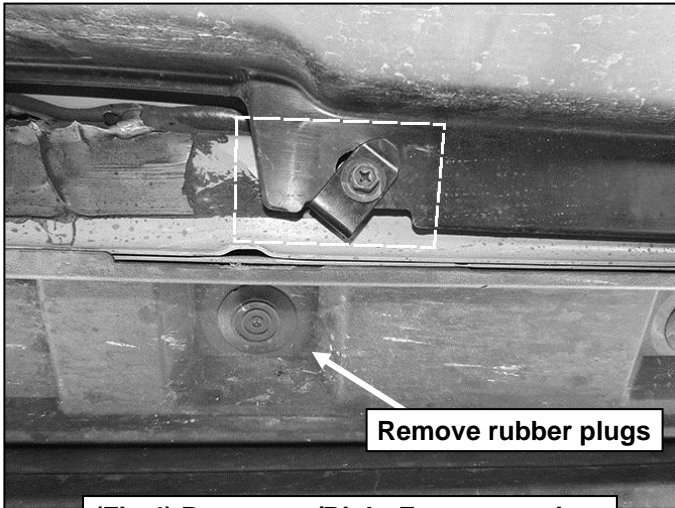
Passenger/Right Side Installation Pictured



(Fig 2) Passenger/Right Front mounting location

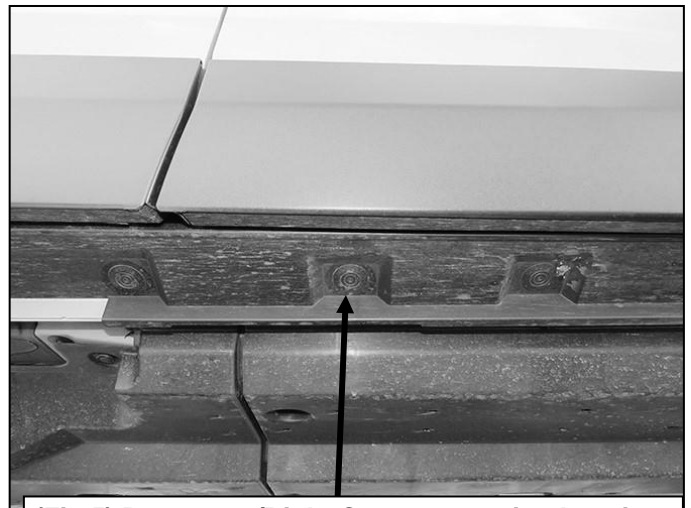


(Fig 3) Hold Mounting Brackets up to the mounting locations and mark the plastic cover (Passenger/Right Front pictured)

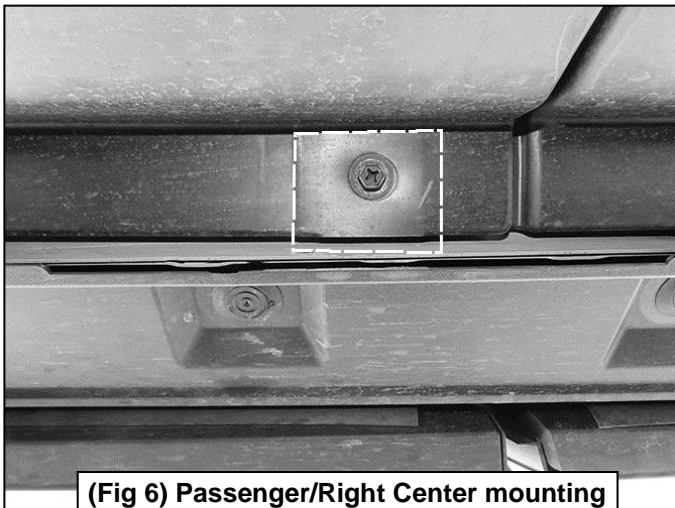


Remove rubber plugs

(Fig 4) Passenger/Right Front mounting location, cut along dotted lines

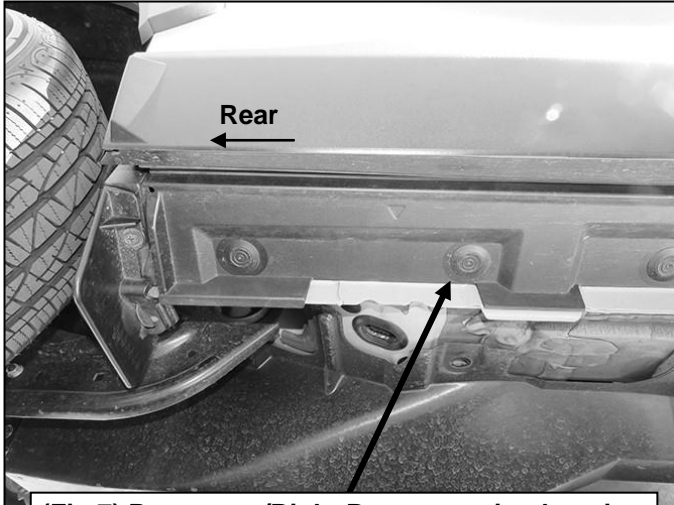


(Fig 5) Passenger/Right Center mounting location

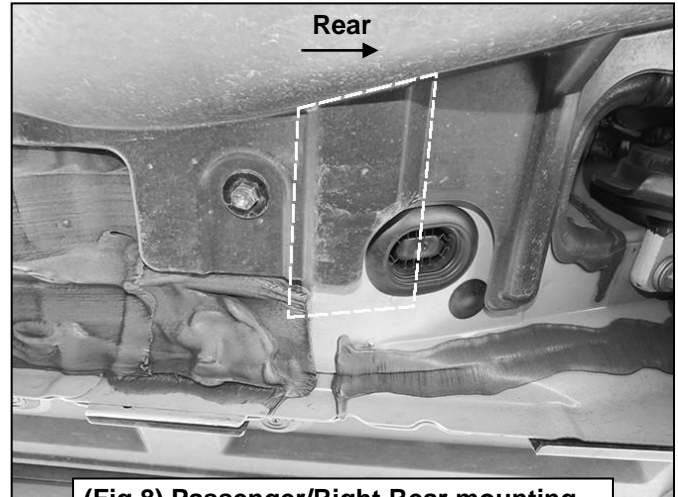


(Fig 6) Passenger/Right Center mounting location cut along dotted lines

Passenger/Right Side Installation Pictured

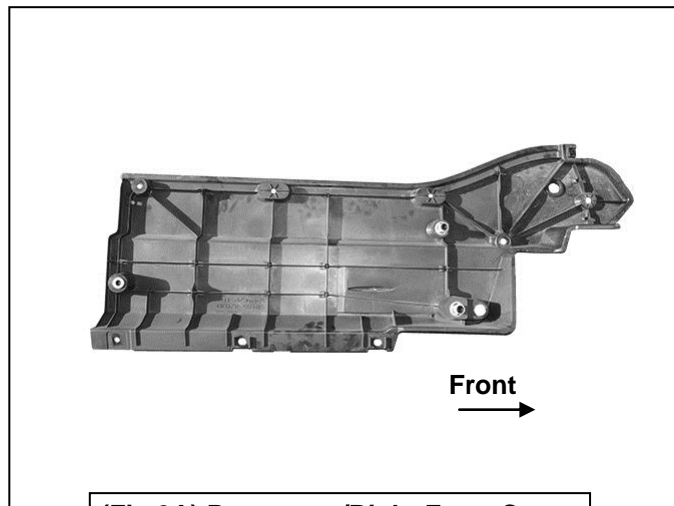


(Fig 7) Passenger/Right Rear mounting location

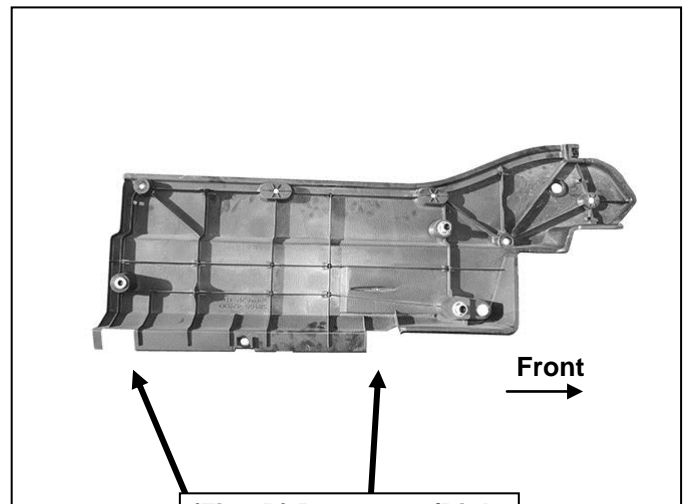


(Fig 8) Passenger/Right Rear mounting location cut along dotted lines

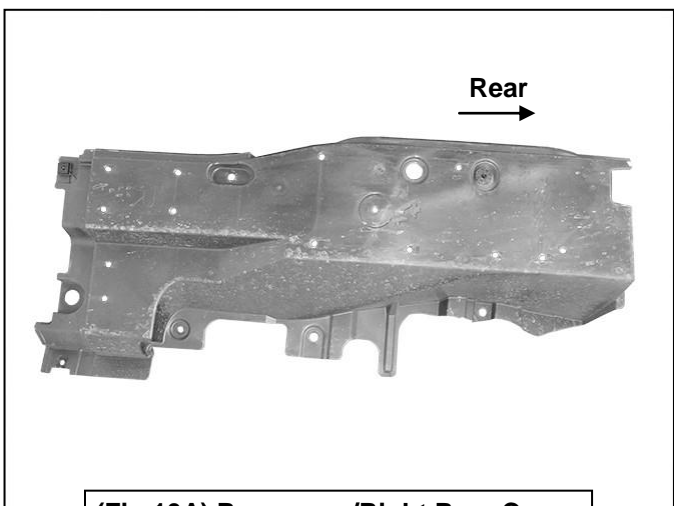
IMPORTANT: Cut the plastic covers enough to allow the mounting brackets to mount against the body



(Fig 9A) Passenger/Right Front Cover

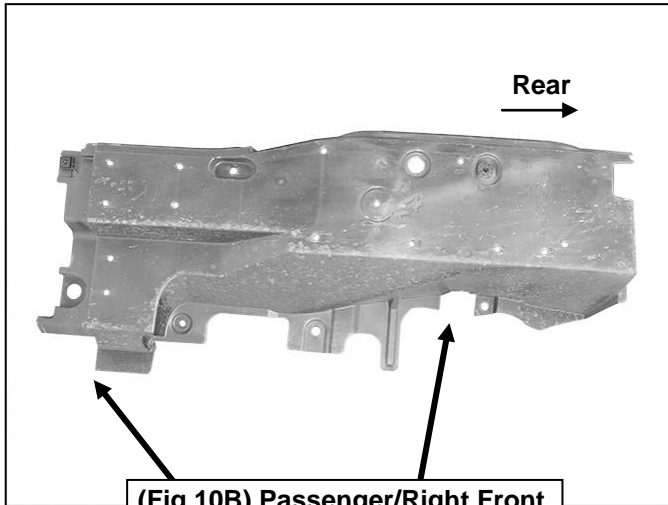


(Fig 9B) Passenger/Right Front Cover with cuts

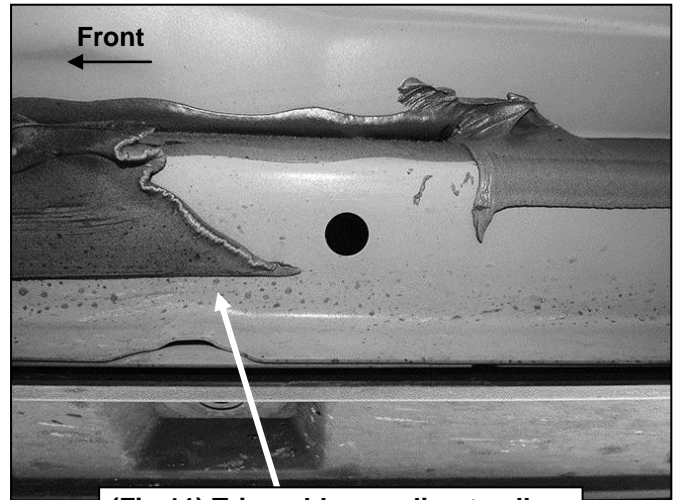


(Fig 10A) Passenger/Right Rear Cover

Passenger/Right Side Installation Pictured



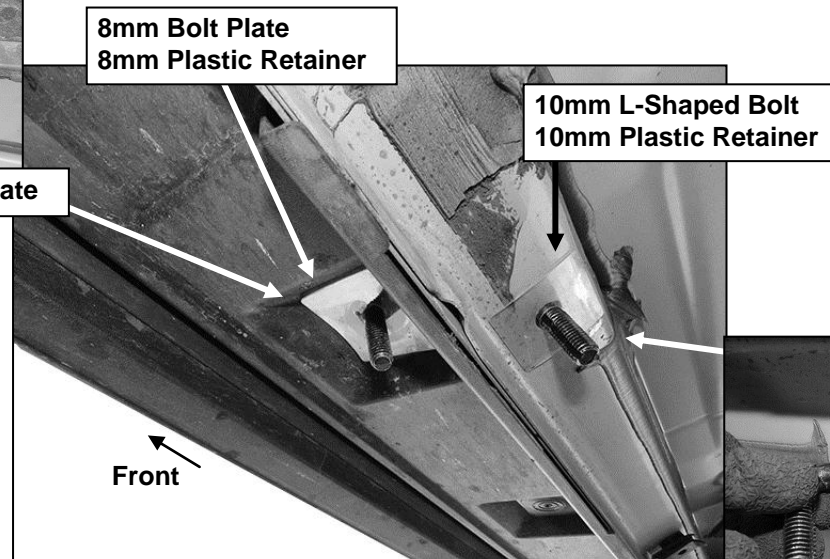
(Fig 10B) Passenger/Right Front Plastic Cover with cuts



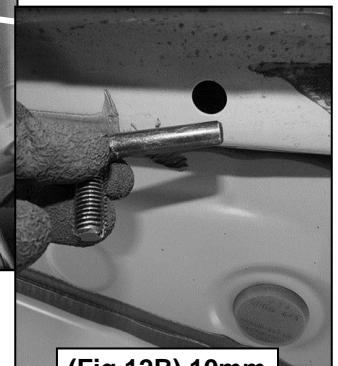
(Fig 11) Trim rubber sealing to allow bracket to mount against the body



(Fig 12A) 8mm Bolt Plate



(Fig 12C) Insert 8mm Bolt Plate and 10mm L-Shaped Bolt into the Passenger/Right Front mounting holes (Covers removed for instruction purposes)

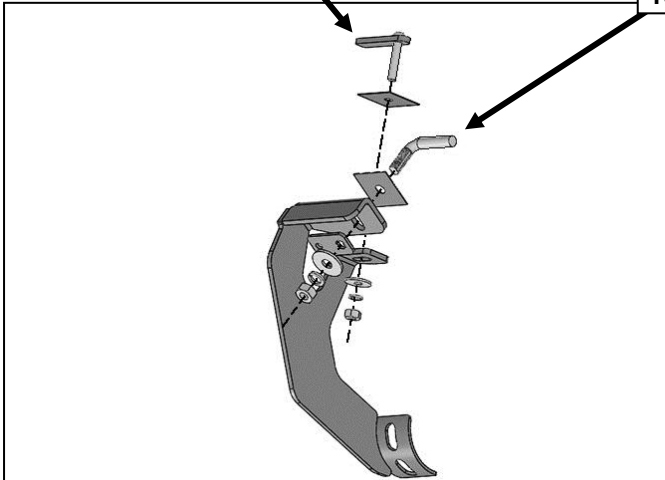


(Fig 12B) 10mm L-Shaped Bolt

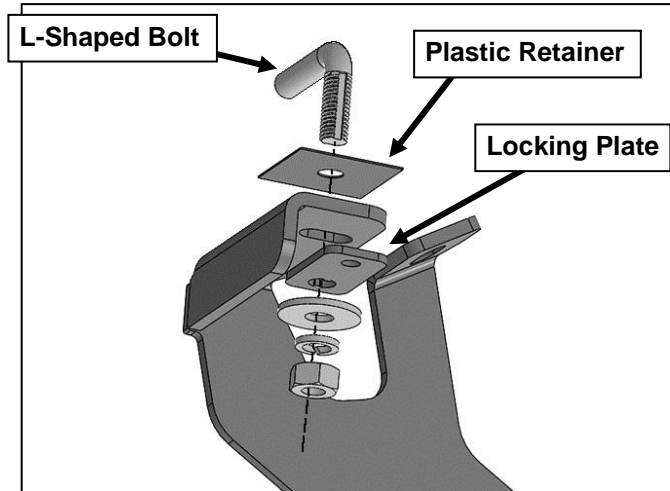
Passenger/Right Side Installation Pictured

- 8mm Bolt Plate
- 8mm Plastic Retainer
- 8mm Flat Washer
- 8mm Lock Washer
- 8mm Hex Nut

- 10mm L-Shaped Bolt
- 10mm Plastic Retainer
- Locking Plate
- 10mm Flat Washer
- 10mm Lock Washer
- 10mm Hex Nut



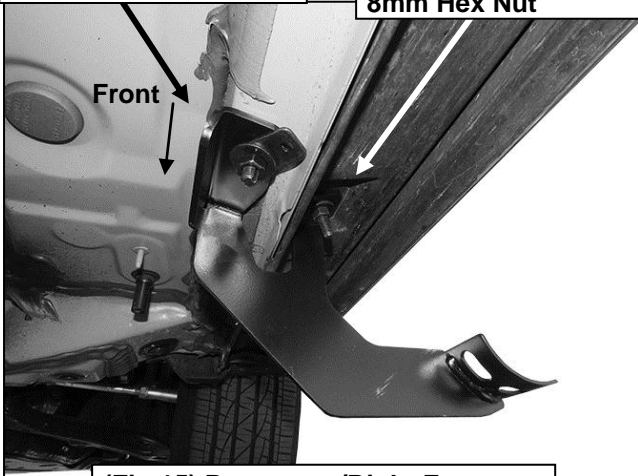
(Fig 13) Passenger/Right Front Bracket installation



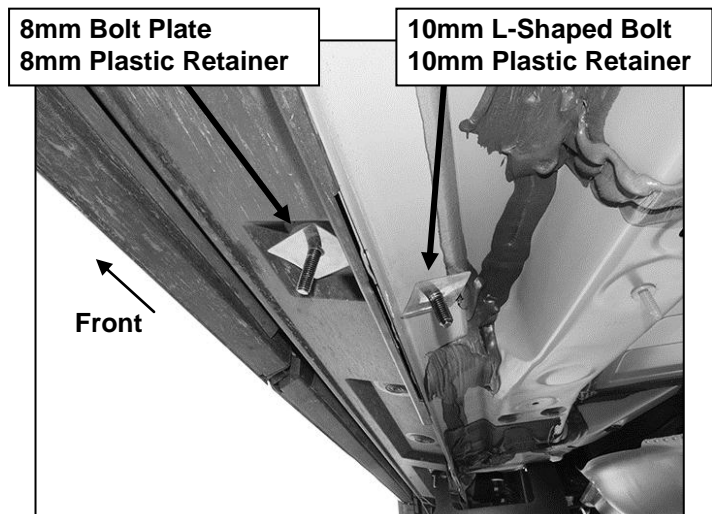
(Fig 14) L-Shaped Bolt installation

- 10mm L-Shaped Bolt
- 10mm Plastic Retainer
- Locking Plates
- 10mm Flat Washer
- 10mm Lock Washer
- 10mm Hex Nut

- 8mm Bolt Plate
- 8mm Plastic Retainer
- 8mm Flat Washer
- 8mm Lock Washer
- 8mm Hex Nut



(Fig 15) Passenger/Right Front Bracket installed (Plastic covers removed for instruction purposes)



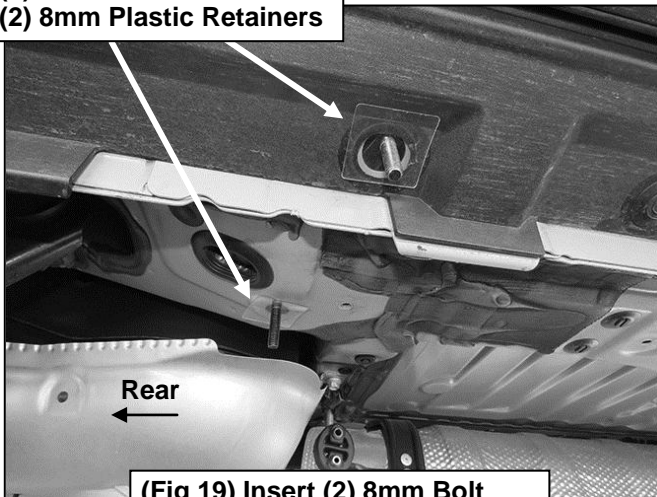
(Fig 16) Insert 8mm Bolt Plate and 10mm L-Shaped Bolt into the Passenger/Right Center mounting holes

Passenger/Right Side Installation Pictured

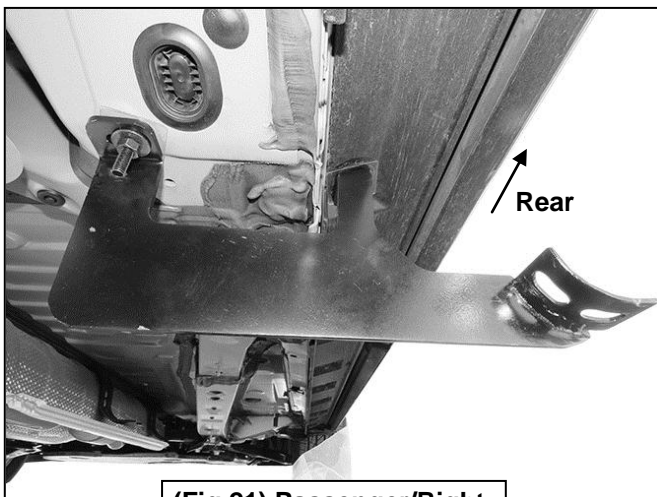


(Fig 17) Passenger/Right Center Bracket installed

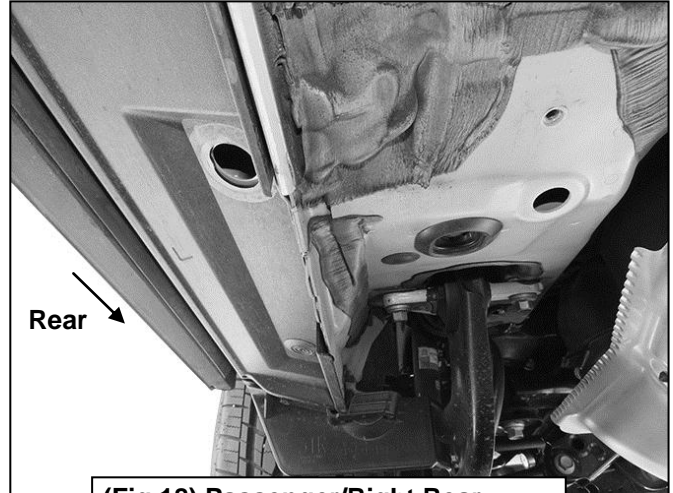
- (2) 8mm Bolt Plates
- (2) 8mm Plastic Retainers



(Fig 19) Insert (2) 8mm Bolt Plates into the mounting holes

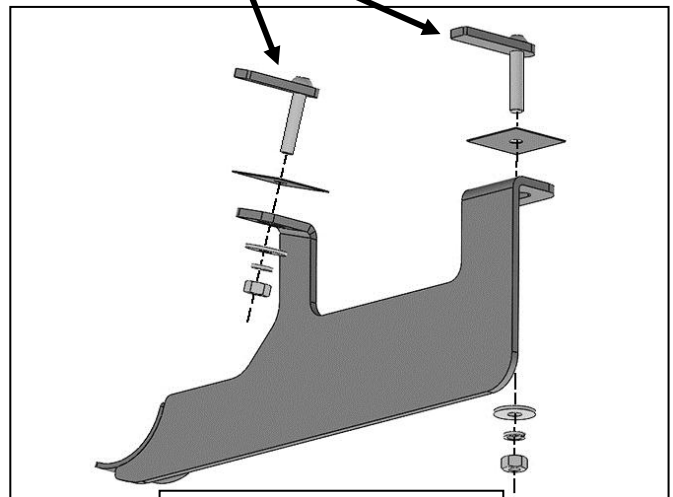


(Fig 21) Passenger/Right Rear Bracket installed



(Fig 18) Passenger/Right Rear mounting location (Plastic covers removed for instruction purposes)

- (2) 8mm Bolt Plates
- (2) 8mm Plastic Retainers
- (2) 8mm Flat Washers
- (2) 8mm Lock Washers
- (2) 8mm Hex Nuts



(Fig 20) Passenger/Right Rear Bracket installation

Driver/Left Side Installation Pictured

