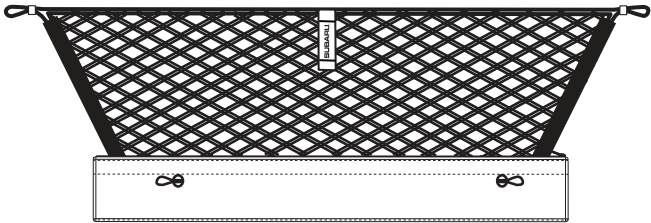
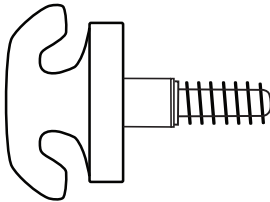
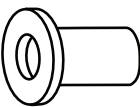
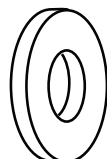
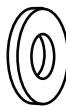
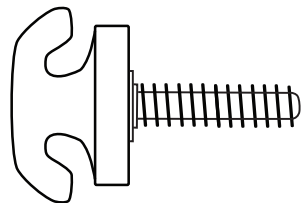
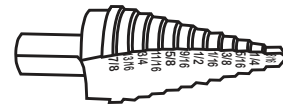
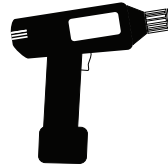
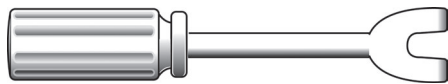







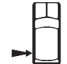





A	KIT CONTENTS:	1X	B	2X	C	4X
						

D	4X	E	4X	F	2X
					

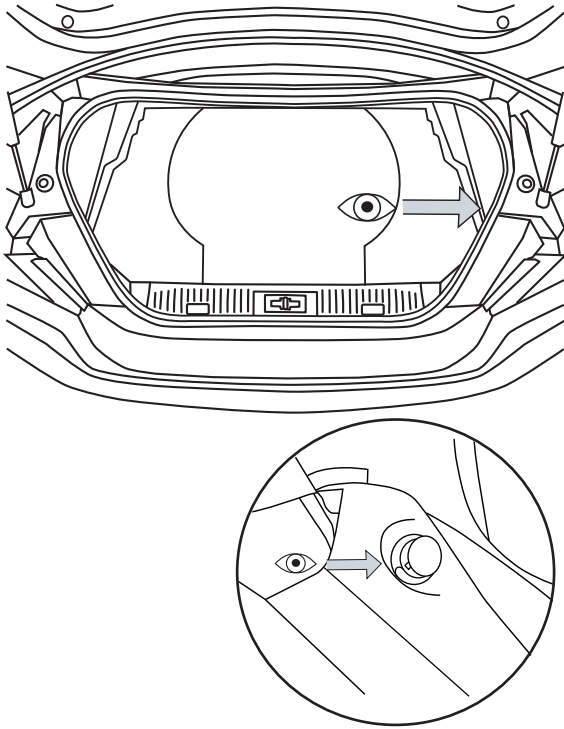
TOOLS REQUIRED:



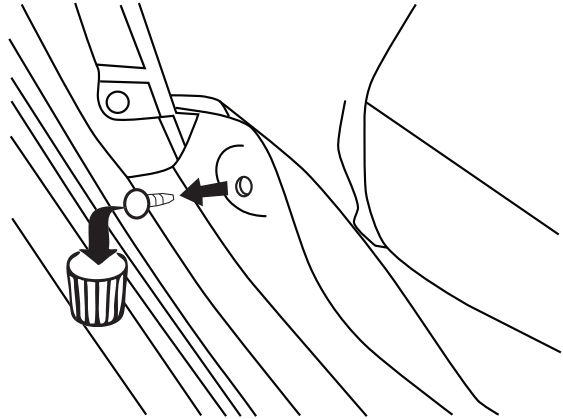
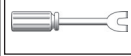
Meaning of Characters:

-  : Remove
-  : Install
-  : Disconnect
-  : Connect
-  : Location of pre-arranged mark
-  : Driver side rear cargo area
-  : Passenger side rear cargo area
- T** : Tightening Torque
-  : Loosen
-  : Discard
-  : Recyclable
-  : View

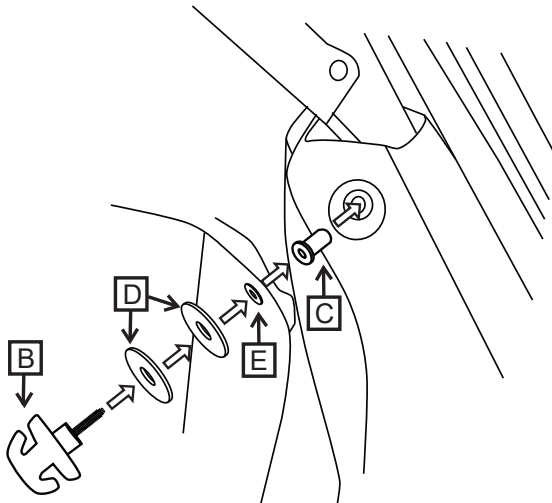
1 Locate upper trim plug as indicated.



2 Remove upper trim plug from panel and discard.

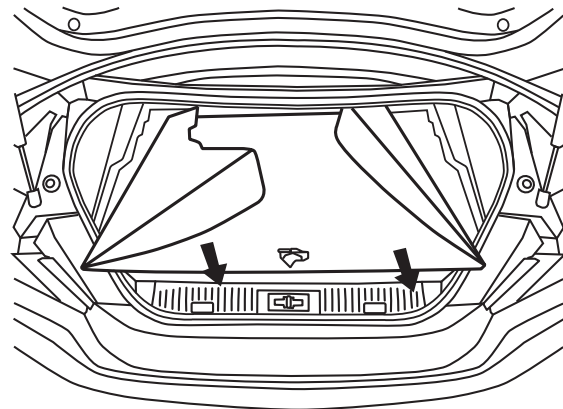


3 Fit spacers, washers, and wellnut onto the T-Anchor in the upper mounting point as shown, and hand tighten until snug.



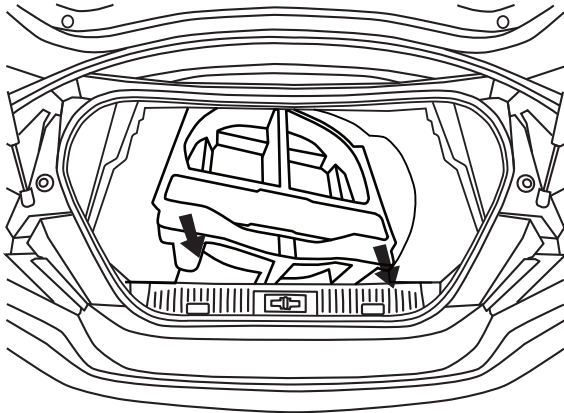
Note:
Repeat steps 1-3 for driver's side of vehicle.

4a Remove load floor and set on a clean, dry surface.

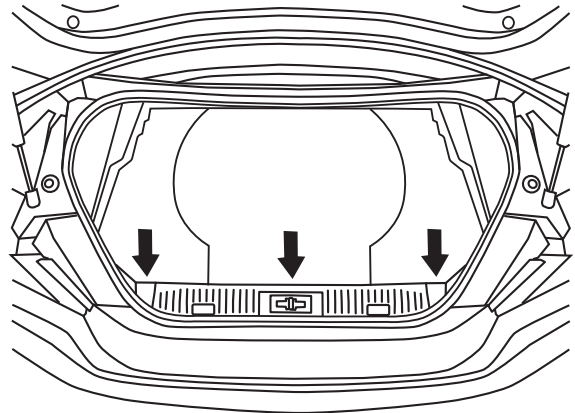
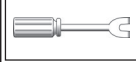


4b

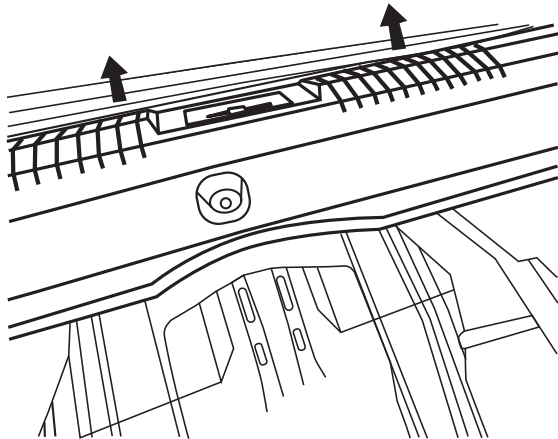
Remove spare tire tray and set on a clean, dry surface.

**5**

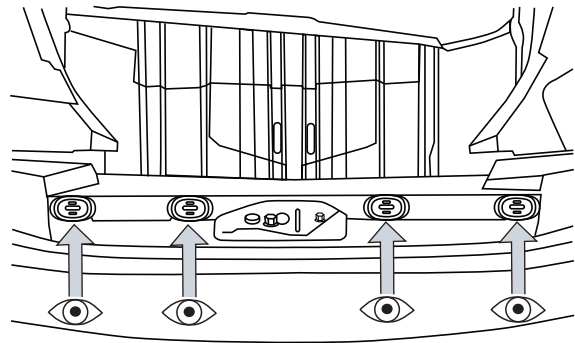
Remove three lower trim plugs from the panel, retaining the center trim plug for reinstallation in step 9.

**6**

Remove trim by pulling upward, and set on a clean, dry surface.

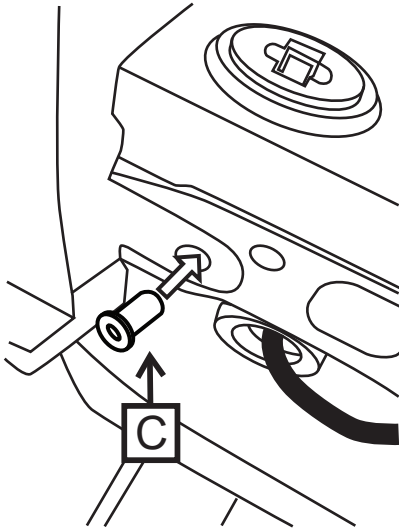
**6a**

Locate and ensure all four white trim fasteners are intact after trim removal.

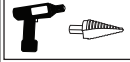


7

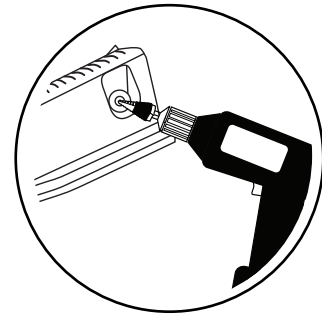
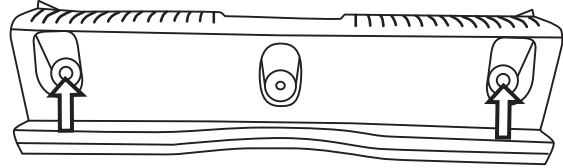
Install item C, rubber wellnut into the lower trim.



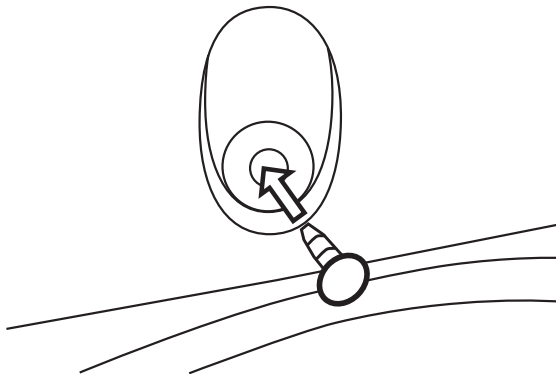
Note: Repeat for driver's side of vehicle.

8

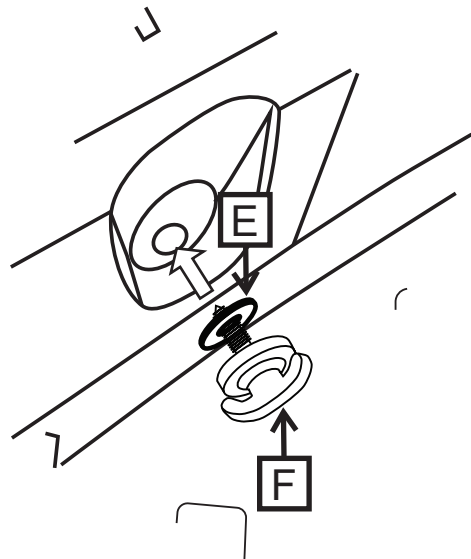
Using the tools indicated, drill the two outer holes to a 1/2". Reinstall trim panel, and reposition gasket along lower edge of trunk.

**9**

Reinstall spare tire tray and load floor removed in step 4a and 4b, and reinsert center trim plug retained in step 5.

**10**

Install T-anchor to the lower mounting point as shown in the photo. Tighten until snug, and orient in the vertical position as shown in step 11.



Note: Repeat for driver's side of vehicle.

11



To complete final installation, place the lower bungee loops around the T-anchors as shown. Un-zip the pouch to release the cargo net, ensuring the pull tab is facing outward, and attach the upper bungee loops around the upper T-anchors.

