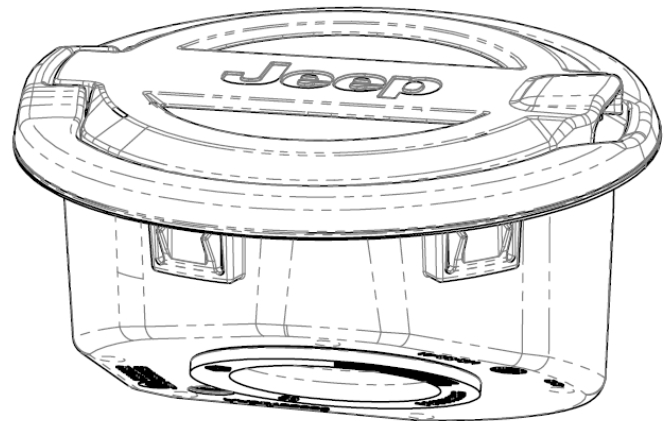
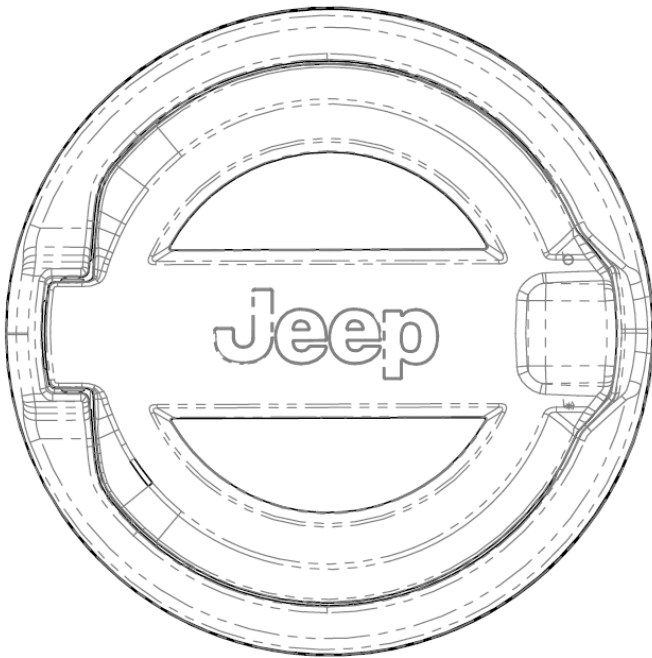


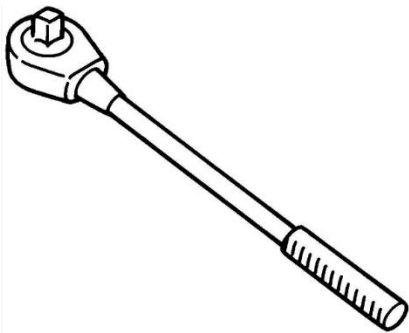


Jeep Wrangler Fuel Door

www.mopar.com



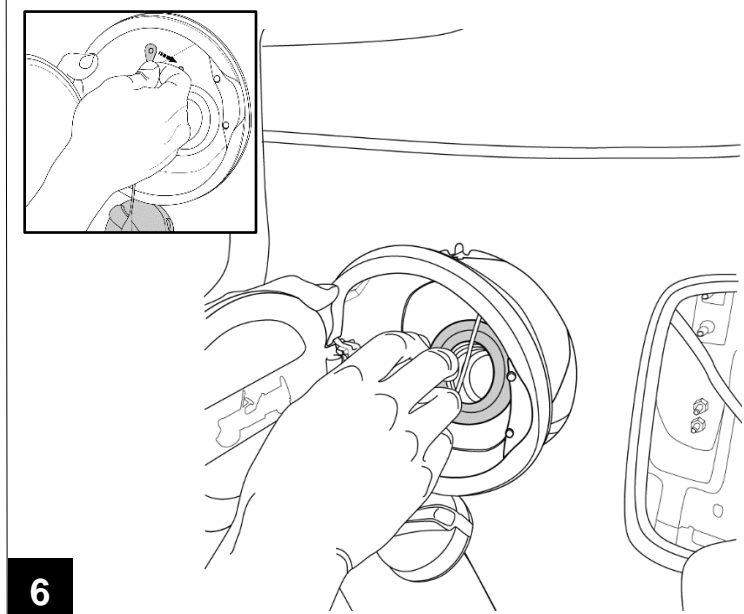
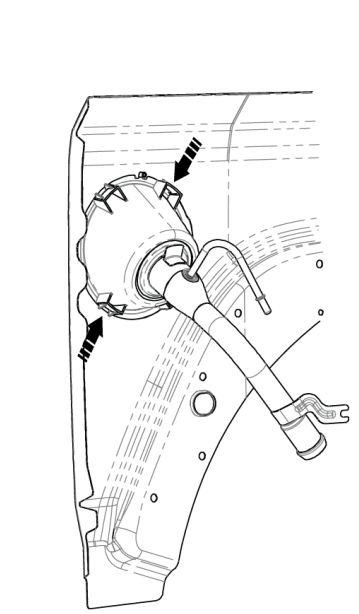
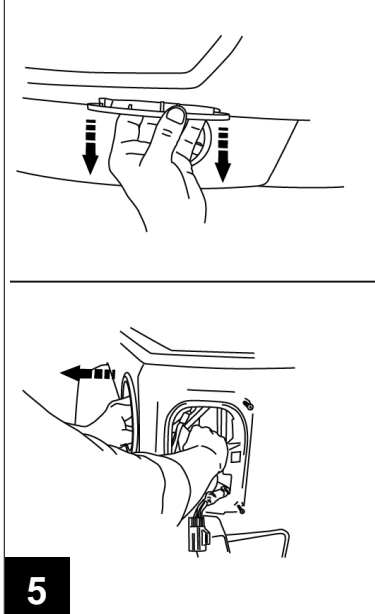
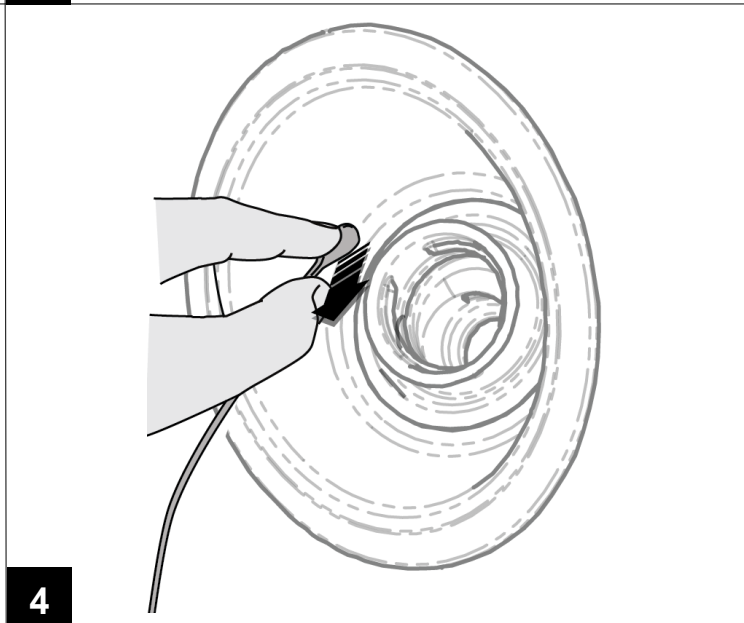
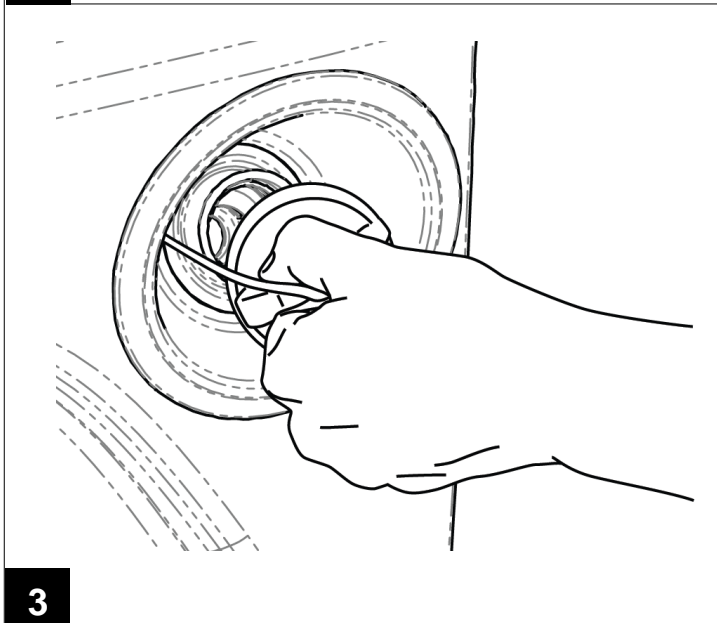
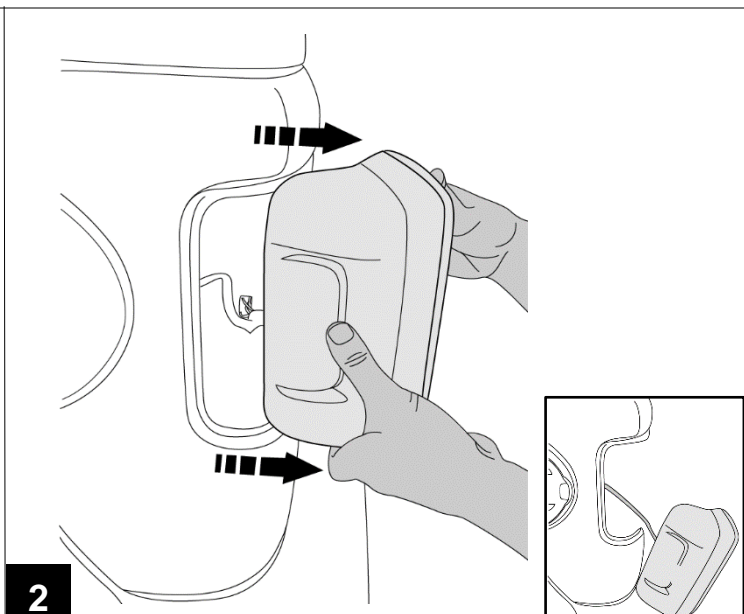
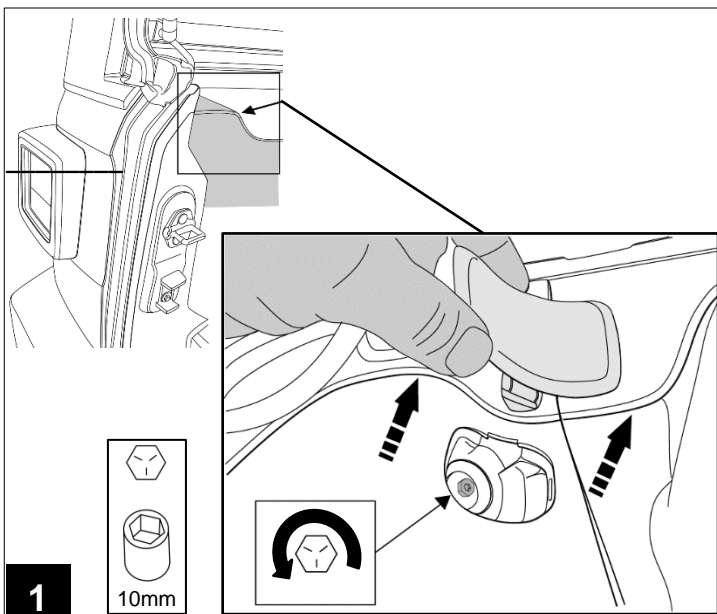
Required Tools (not supplied in kit)

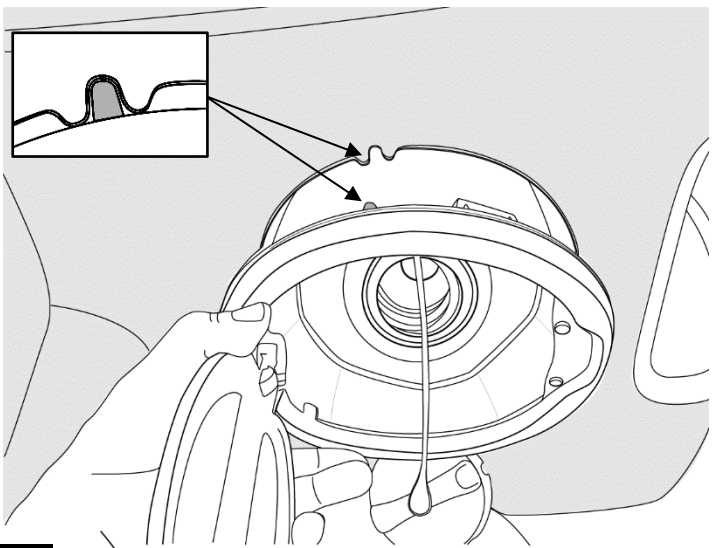


Socket Wrench

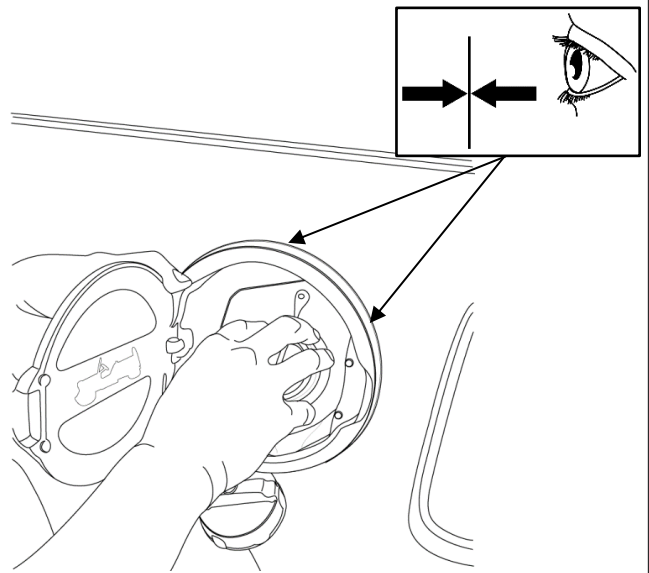


10mm Socket

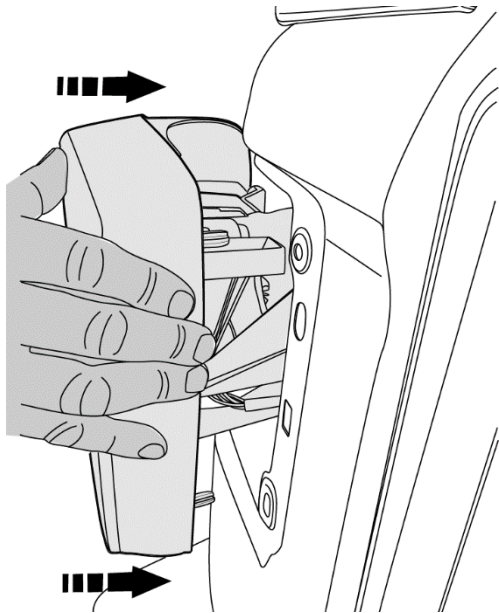




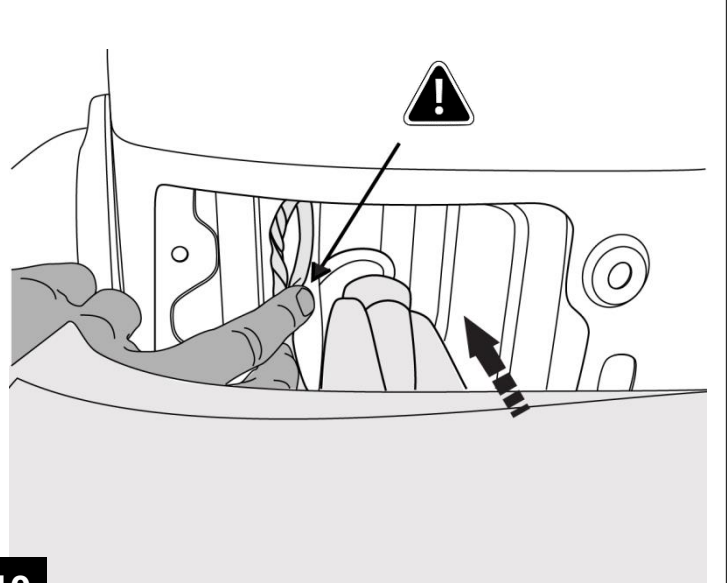
7



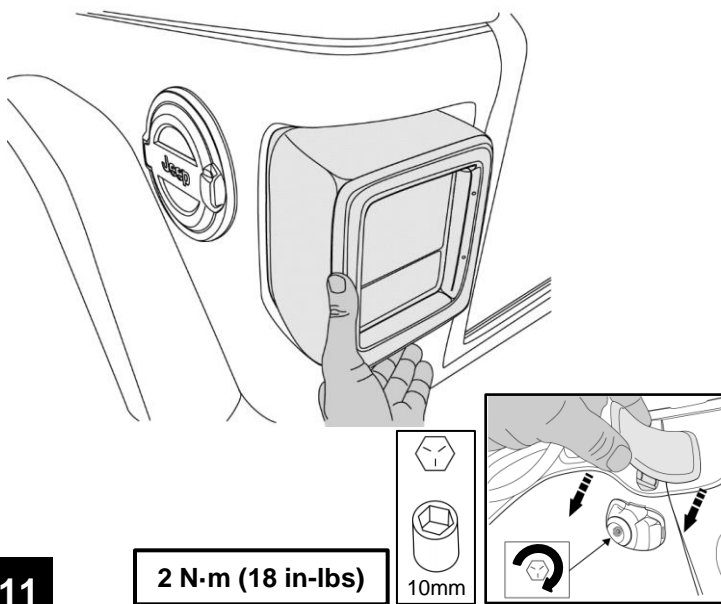
8



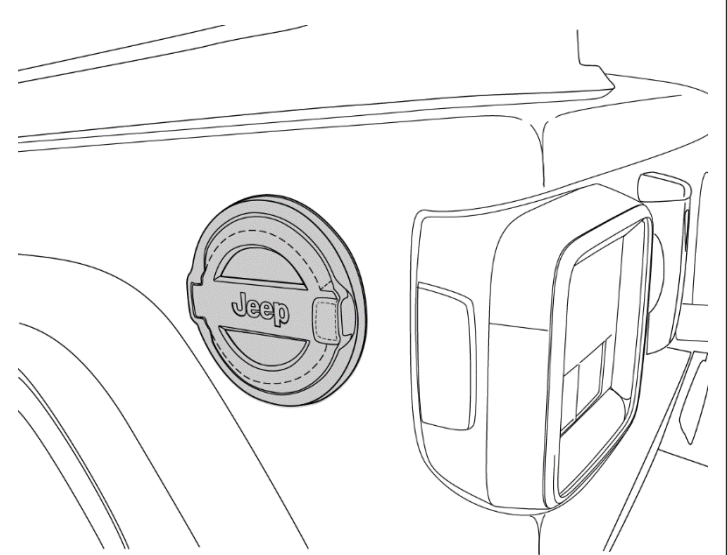
9



10



11



12