

BAJARACK WARRANTY



This Limited Warranty covers BajaRack products and all accessories for a period of 2 years from the date of purchase to the original owner of the product and does not apply once the equipment is sold or transferred to another person.

This Warranty does not cover the cost of removal of reinstallation or the product. BajaRack warrants (subject to conditions listed in this warranty) all products to be free of manufacturing defects in materials and workmanship.

Warranty claim requirements

The claim has to be submitted during the warranty period at the place of purchase or directly at our corporate office located:



BajaRack Adventure Equipment
2275 Michael Faraday Drive, Suite 6
San Diego, CA 92154 USA
Phone Number: 760-621-0171

On your product you will find a label with a serial number. If you remove this label, please save the serial number in a safe place. You will need it if you want to make a warranty claim in the future. Any cost incurred to transport the defective product "to and from" will be the customer's responsibility.



Warranty resolution

Subject to BajaRack inspection of the product, the company will remedy defects in materials and/or workmanship by repairing or replacing, at BajaRack's option, the defective product without charge for parts or labor, subject to the limitations and exclusions described in this warranty. BajaRack may elect, at its option, not to repair or replace a defective product, in which case BajaRack will issue to the original retail purchaser, at BajaRack's option, either a full refund equal to the purchase price paid for the product, or a credit to be used toward the purchase of new BajaRack products or accessories.

Limitations of Liability

BajaRack is not liable for damage caused by shipping or transport of BajaRack products. It is the responsibility of the original retail purchaser to inspect all products prior to acceptance and to notify the shipping carrier in a timely manner so that any claim for damages can be made. If timely notification to the shipping carrier by the original retail purchaser is not made regarding damage caused during the transport of the product, a claim for damages may not be possible, and all liability falls to the original retail purchaser. This warranty does not apply if accident, abuse, misuse, collision, overloading, modification, misapplication, improper installation, or improper service has damaged the Product.

BAJARACK SHALL NOT BE LIABLE FOR ANY DIRECT, INDIRECT, CONSEQUENTIAL, INCIDENTAL, SPECIAL, EXEMPLARY, OR PUNITIVE DAMAGES OR FOR ANY OTHER DAMAGES OF ANY KIND OR NATURE [NO PERIOD.] (INCLUDING, BUT NOT LIMITED TO, LOST PROFITS, DOWN TIME OR LOSS OF USE) UNDER ANY LEGAL THEORY, EVEN IF BAJARACK WAS ADVISED OF THE POSSIBILITY OF SUCH DAMAGES. BAJARACK'S SOLE LIABILITY IS LIMITED TO THE REMEDY SET FORTH ABOVE.

BajaRack reserves the right to change Product design without notice.



TOYOTA FJ CRUISER

(2007-2017)

STANDARD AND UTILITY RACKS



RACK COMPONENTS



This illustration is for reference only

What's in the box

- A) Rack (1x)
- B) AD bracket (1x)
- C) AP bracket (1x)
- D) BD bracket (1x)
- E) BP bracket (1x)
- F) CD bracket (1x)
- G) CP bracket (1x)

- H) 5/16"-18 x 3/4" Hex Cap Screw Stainless Steel (12x)
- I) 5/16"-18 Nylon Insert Lock Nut Stainless Steel (12x)
- J) 5/16" X0.75" OD Flat Washer Stainless Steel (36x)
- K) M8-1.25 x 50mm Hex Cap Screw Stainless Steel (12x)
- L) Grease, for use with all bolts with lock nuts (1x)

Recommended Tools

- 1/2" wrench for installation
- 1/2" ratchet tool for support
- 13mm metric wrench for roof brackets intallation
- RTV Silicone sealant

Tips and recommendations (please read)

- Please Install your rack with the help of a friend.
- The load limit of your rack is 300lb, please do not exceed.
- Your Rack is an accessory; it is not protection for rollovers

INSTALLATION STEPS

1 Remove plastic covers (6) located on top of roof with a small flat screw driver. First push cover to the right and then use the screw driver to push out. There should be 2 bolts per cover. Fig. 1

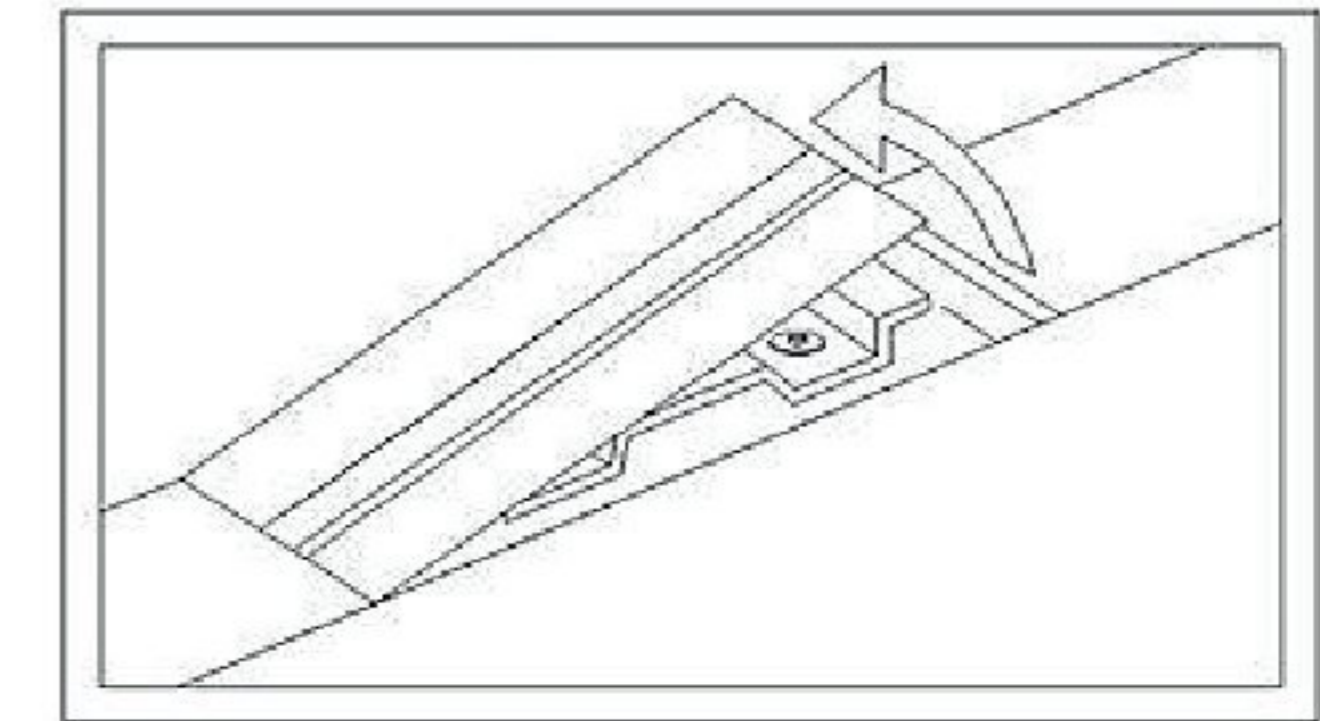


Fig. 1

2 First, loosen all 12 factory bolts (A, figure 2) before removing them completely. Take care not to push downward to prevent pushing the threaded inserts into headliner. You may leave retainers in place if good contact remains.

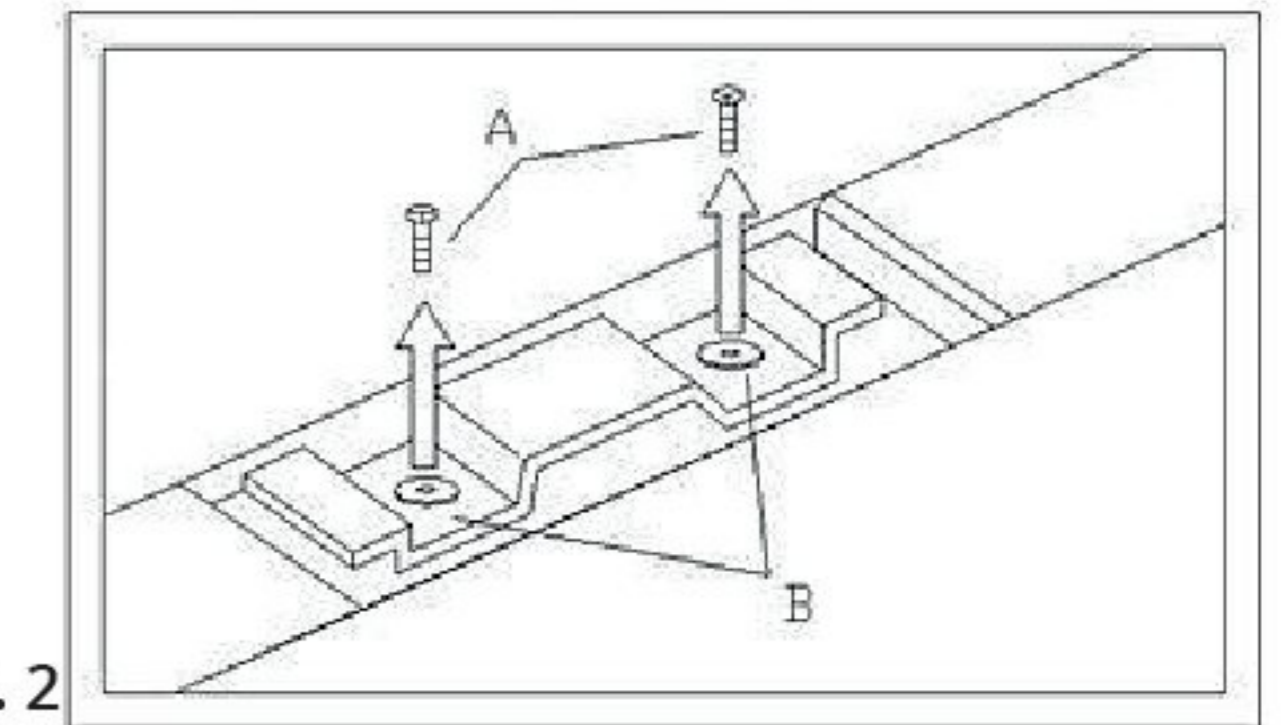


Fig. 2

Note: It is recommended to apply RTV SILICONE SEALANT in the gap between the roof hole and the insert sleeve (white plastic) and to the threads of all 12 roof (new) bolts. Do not apply too much because it may 'dam' water causing water it to pool and enter headliner/vehicle.

3 Identify all 6 roof brackets (B to G) and place one by one on the roof of the vehicle. **See figure 3 for location of brackets.** **Note orientation - all point inboard (figs 3 & 4).** Once you have it in place peel the label off. Fig.4. **It is recommended to apply RTV silicone sealant in gap around tubes to prevent leaking.**

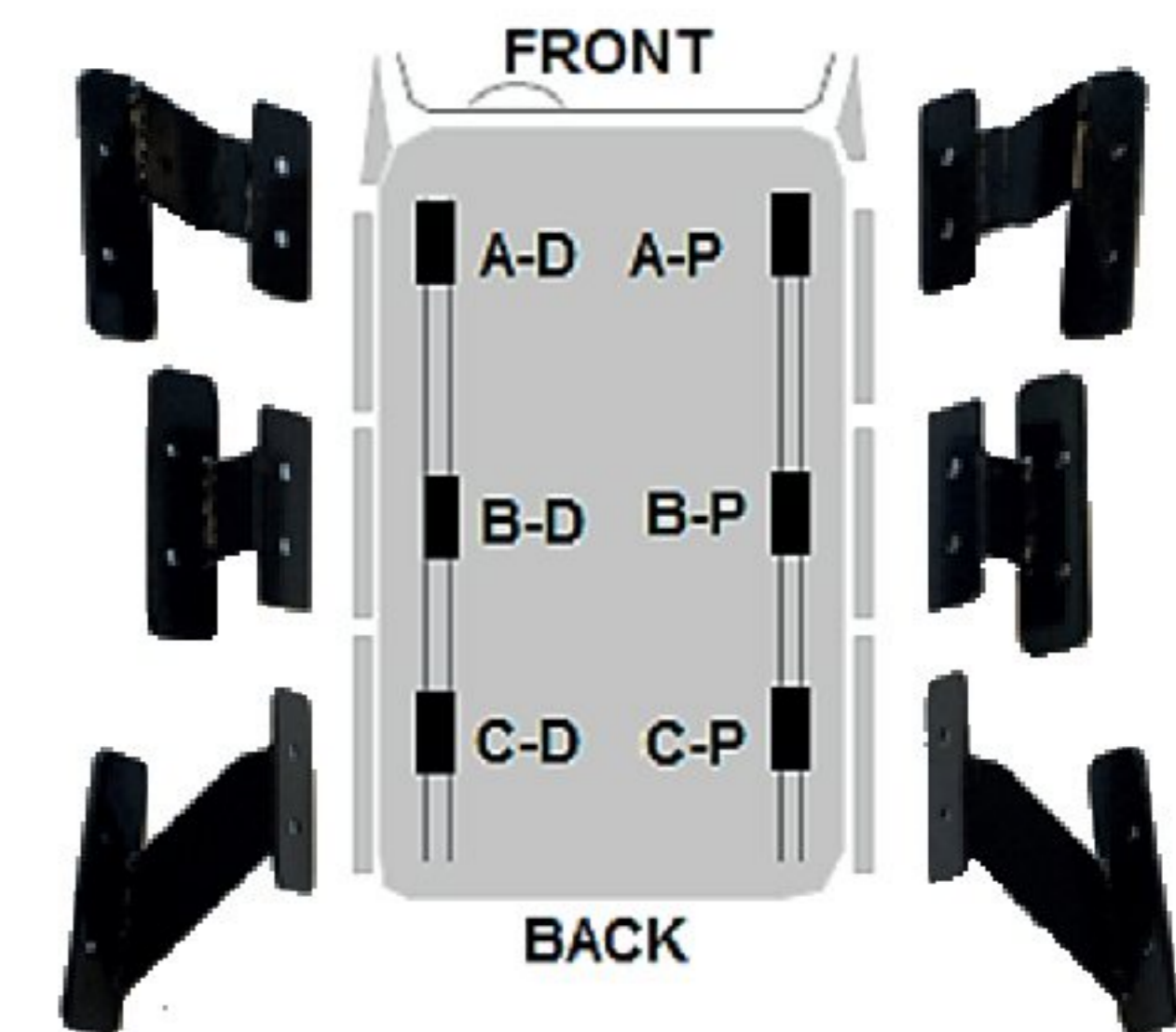


Fig. 3



Fig. 4



Fig. 5

INSTALLATION STEPS

- 4 To install all 6 brackets you will need 12 washers (I), 12 bolts (K) and a ratchet tool with a 13mm socket ("metric" - remember it's a Japanese car). If you don't have 13mm, try 1/2".



Fig. 6



Fig. 7

NOTE: Apply RTV SILICONE SEALANT to the threads of all 12 roof (K) bolts. Don't tighten bolts completely, you will need some leeway when aligning the roof brackets with the rack plates.

- 5 Once all 6 roof brackets are in place and secured, place the rack (with the help of another person - "friend") on top of the roof brackets aligning the rack plates with the brackets. Make sure the bottom wind deflector goes under the top of the front A-D and A-P roof brackets (Fig. 7 & 8).



Fig. 8

- 6 Pass bolts (H), thru washer (I), thru rack plate and roof bracket, then thru second washer (I). Apply grease (L) to bolt threads (H) and place locknut (J) and tighten using a 1/2" wrench and ratchet tool with 1/2" die. Please use grease (L) before tightening bolts and nuts.



Fig. 9



Fig. 10



Fig. 11

INSTALLATION STEPS

- 7 Once the rack is in place and attached to roof brackets, you can tighten all 12 roof bolts (K) to the recommended factory torque 18.0 N-m (160 lb-in or 13.3 lb-ft).



ENJOY
— YOUR NEW —
BAJARACK
ROOF RACK!

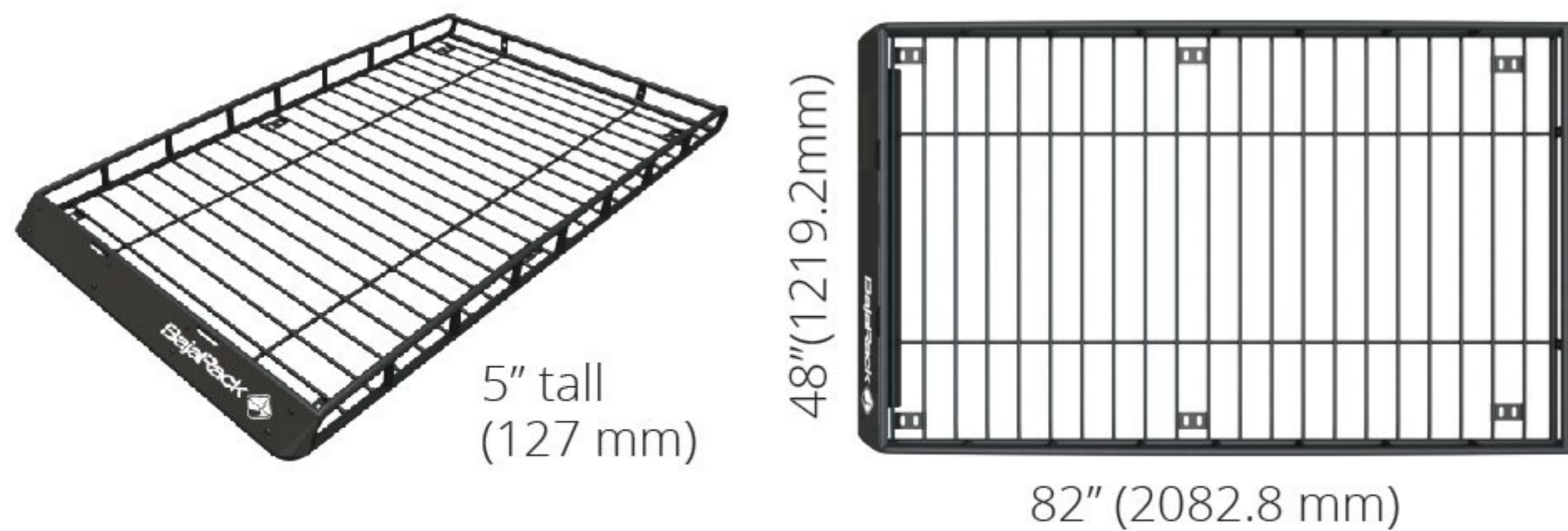


TECHNICAL SPECIFICATIONS

FJ CRUISER

BR-TYFJ-LP-0

Standard Basket Rack



This Rack comes as one piece and includes all mounting brackets, stainless steel hardware, and aluminum wind deflector.

Material and Thickness: 1" (25.4mm) and 1/2"(12.7mm) Steel tubing

Top Wind Deflector: .062" (1.57mm) 5050-H32 Aluminum

Bottom Wind deflector: .062" (1.57mm) 5050-H32 Aluminum

Finish: Epoxy primer (rust inhibitor) with black powder coating

Rack weight: 82 Lb (37.19 Kg)

Weight Capacity: 600 Lb (272 Kg) Static / 300 Lb (136 Kg) Dynamic

Measurements: 48"(1219.2mm) Wide x 82" (2082.8 mm) Long x 5" (127 mm) tall

Cargo area: 23.95ft² (2.22m²)

Mounting method: Brackets install on the holes of roof (6 brackets total), no drilling required.

COMPATIBLE ACCESORIES



Fuel Can Holder



Axe & Shovel mount for 5" height racks



Awming mount for 5" height racks



Awming mount for 5" height racks (3 pieces)



Hi-Lift mount for 5" height racks



Light Clamp mount



Maxtrax mount for 5" height racks



Solar panel mount



Tire mount



Water Can Holder



Yakima & Thule Accessory mount (2 pieces)



Yakima & Thule Accessory mount (4 pieces)



Light Bar LED mount for 48" width racks



Light Bar for 48" width racks (7" Lights)



Light Bar for 48" width racks (10" Lights)



Tent Plates