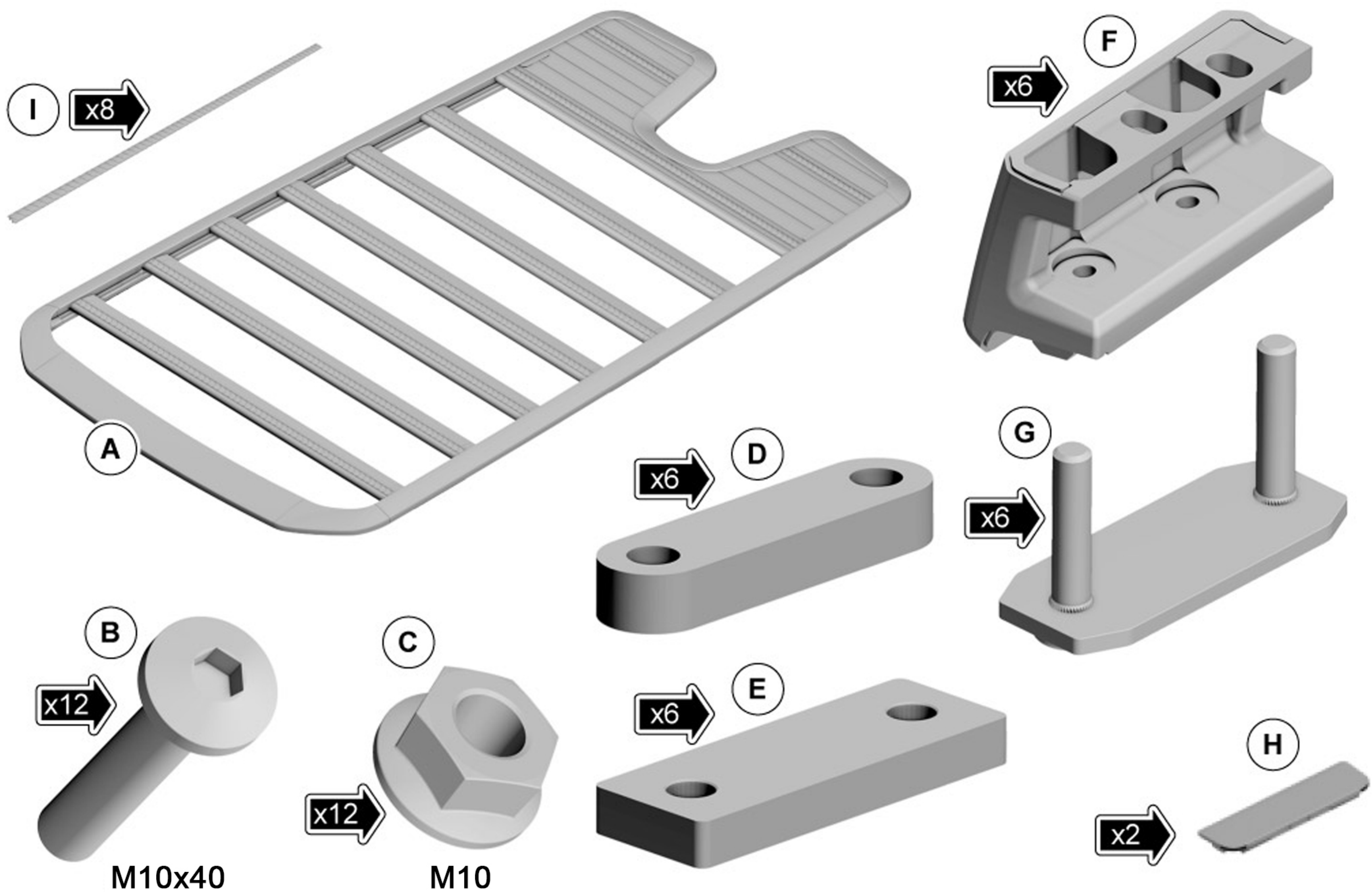


INSTALLATION INSTRUCTION OF EXPEDITION ROOF RACK FOR 2020 LAND ROVER DEFENDER

110 wheelbase



WARNING

- Improper installation of accessories can be dangerous. Please read the instructions carefully before installation. Always follow the instructions. If in doubt, please contact your nearest authorized dealer.
- For 110-wheelbase vehicles, the maximum load that can be placed on the overhead baggage frame of the Explorer is 132 kg or 291 lb.
- Speed must not exceed 130 km/h or 80 MPH when equipped with overhead luggage frame.

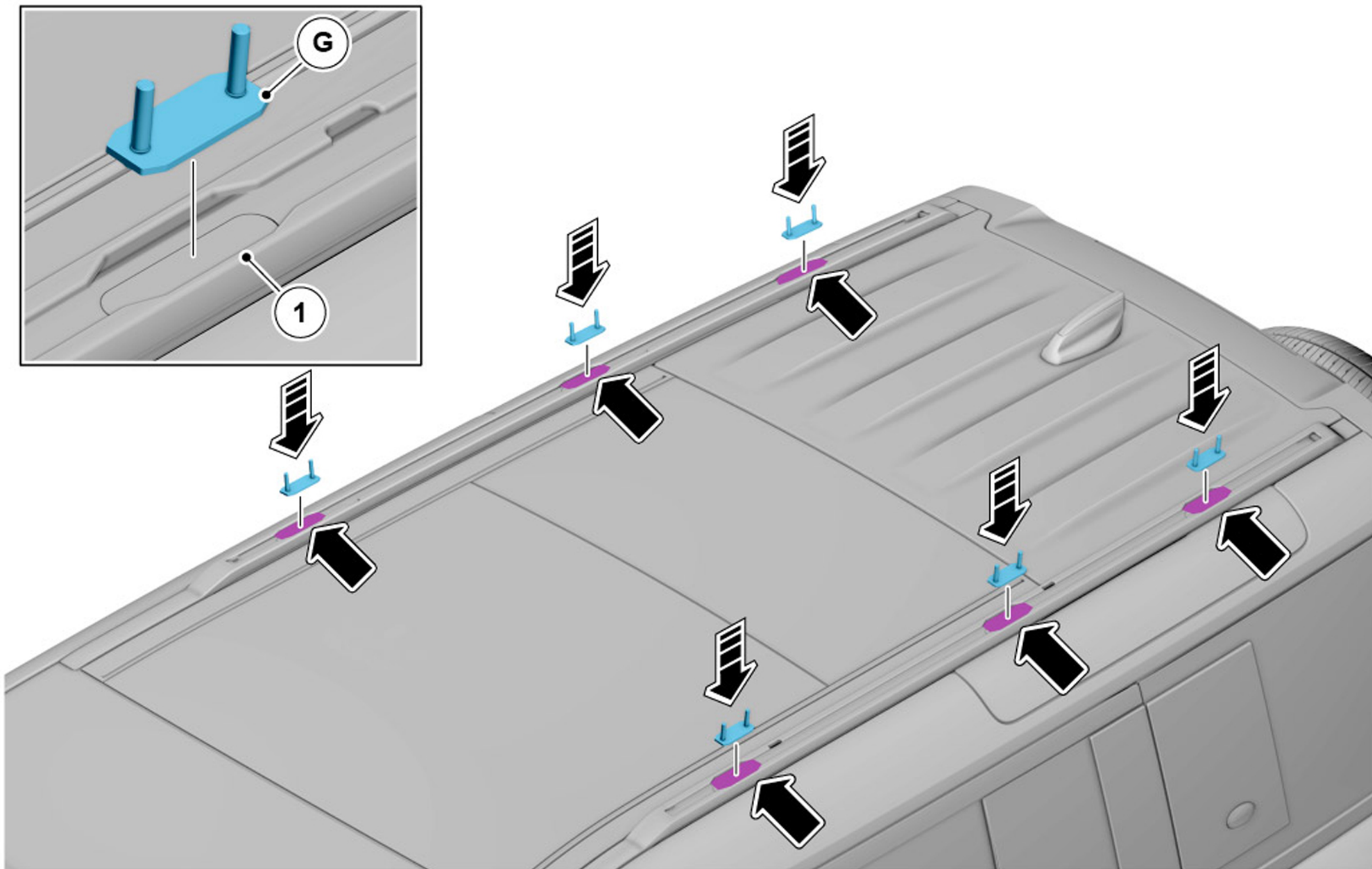
CAUTION

- Roof rails are required if an Explorer Roof luggage frame is to be fitted.
- If you're going to use the overhead baggage frame of the Explorer, it reaches over the overhead baggage frame of the Explorer. Roof sunroof panels shall not be used for loads under the underface of the crossbar.
- If an item is placed above a satellite dish mounted on the roof of the vehicle, it may reduce the quality of the signal received by the vehicle and may adversely affect navigation and satellite broadcast systems (if installed).

1

Align the chuck (g) and insert it into 6 positions as shown in the figure.

- 1 Insert the chuck into the roof rail section as shown by the arrow. In the position shown by the arrow, the gap in the roof rail is wider and the chuck can be installed in the roof rail.



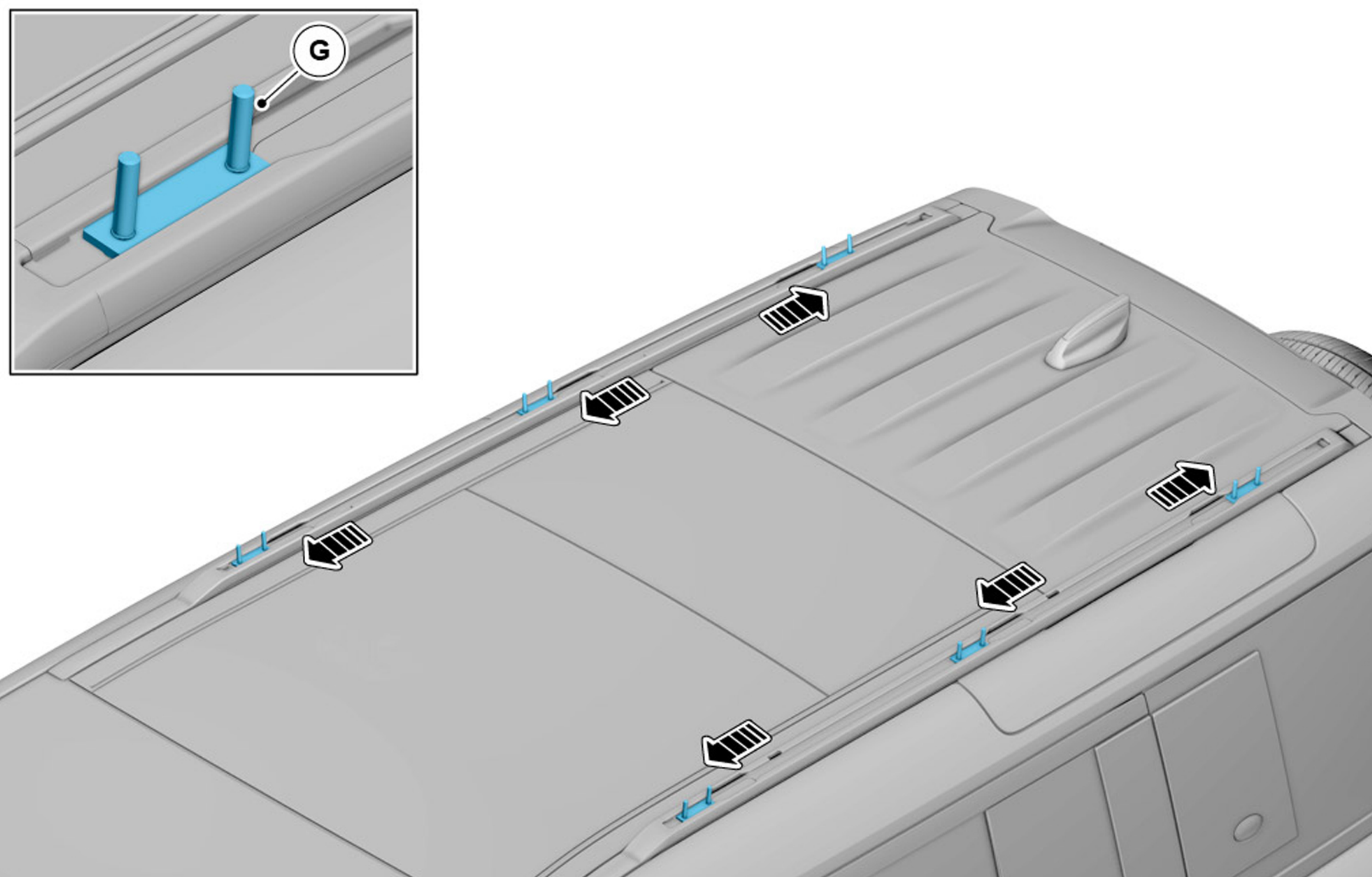
NOTE

- All accessories installed on the roof rail must be removed before installing the roof frame.

2

Slide the chuck (G) into the six positions shown in the figure.

- 1 Slide chuck along roof rail (G)
- 2 Make sure the chuck is properly positioned to all 6 positions in the roof rail..



3

Identify labels on 6 shelf brackets (F) to find location identifiers (Front Left FL, Front Right FR, Middle Left ML, Middle Right MR, Back Right RL, Back Right RR).

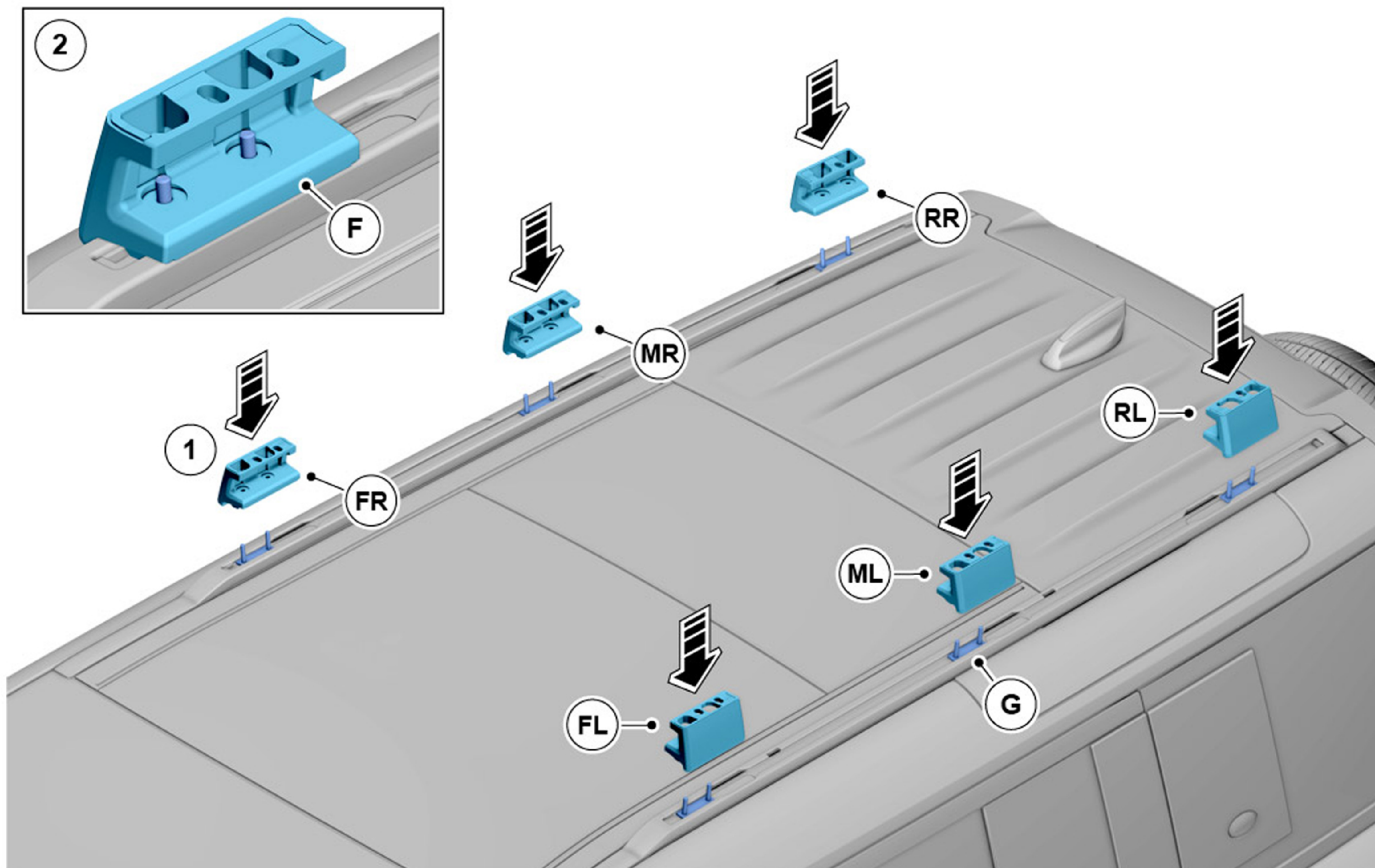
The shelf bracket must be installed in the correct position on the vehicle as instructed on the label.



4

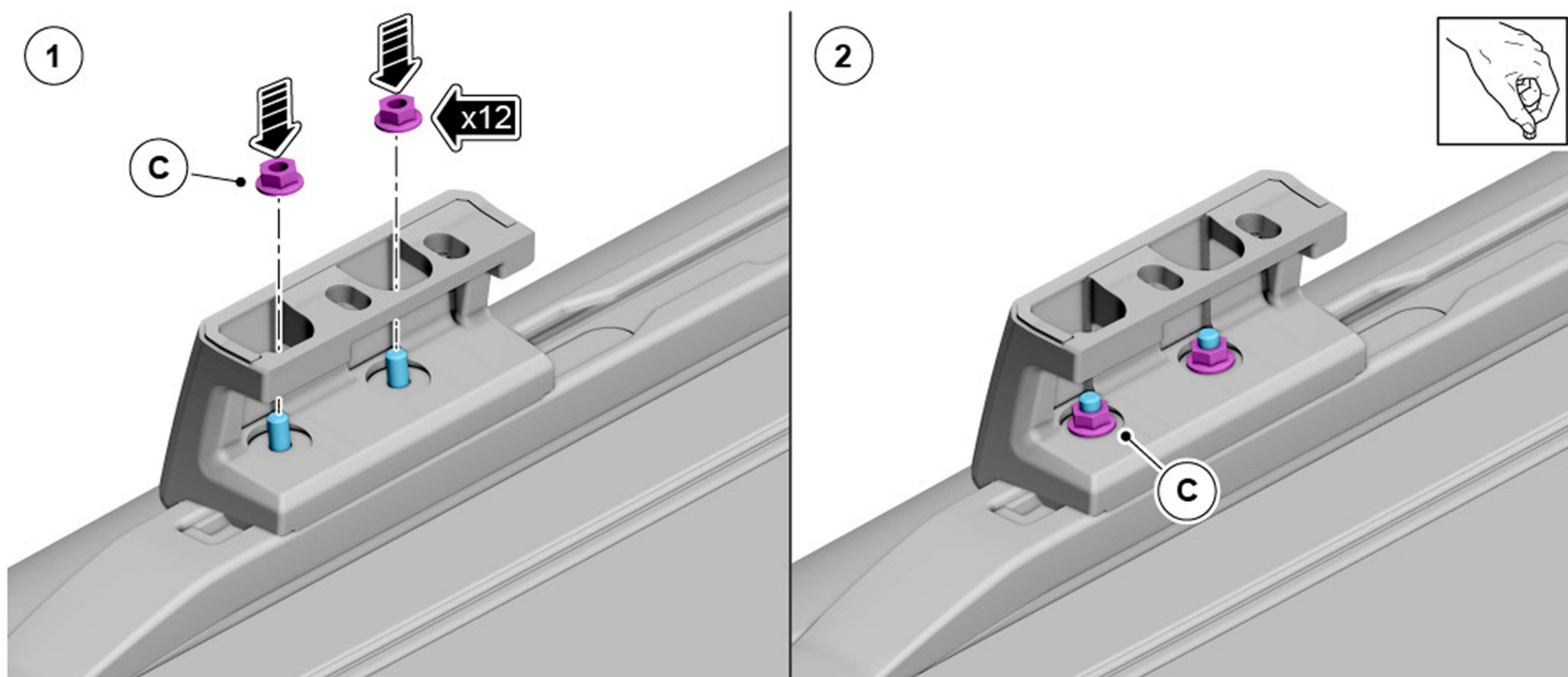
Install the rack holder (F) on the chuck (G) in the 6 positions shown.

- 1 Place the rack bracket on the chuck. Make sure you're in the right direction.
- 2 Ensure that the shelf bracket is properly installed as shown in the drawing.



5

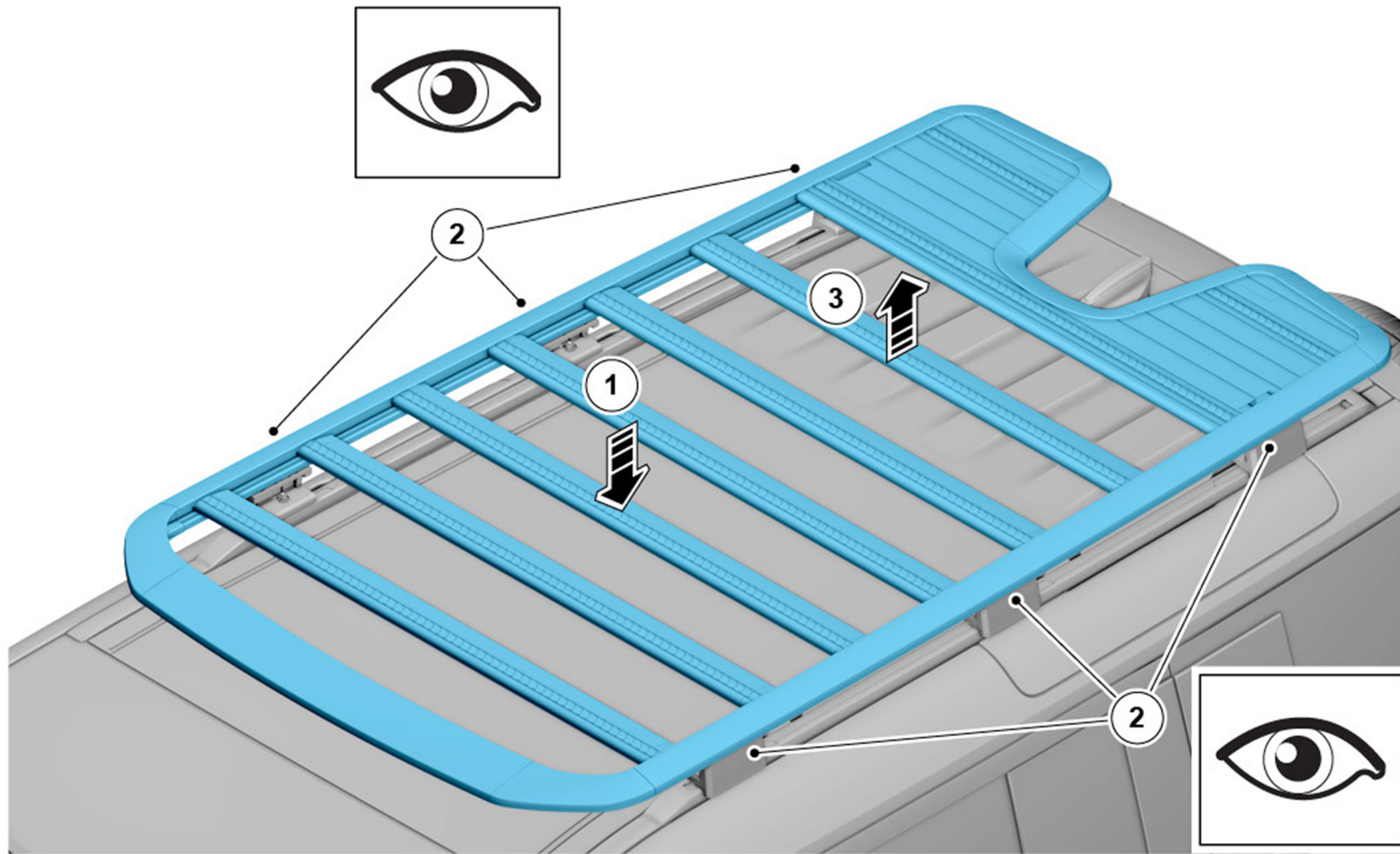
Install fasteners (C) for securing 6 shelf brackets (F) to 6 chucks (G), but do not tighten them completely.



6

Place the Expedition Car roof luggage frame on the vehicle to ensure that it is properly positioned on the shelf holder (F).

- 1 Lift the overhead baggage frame (A) of the Explorer over the vehicle and place it on the rack (F).
- 2 Make sure the fixing holes on the overhead luggage frame of the Explorer are aligned with the corresponding holes on the shelf bracket (F).

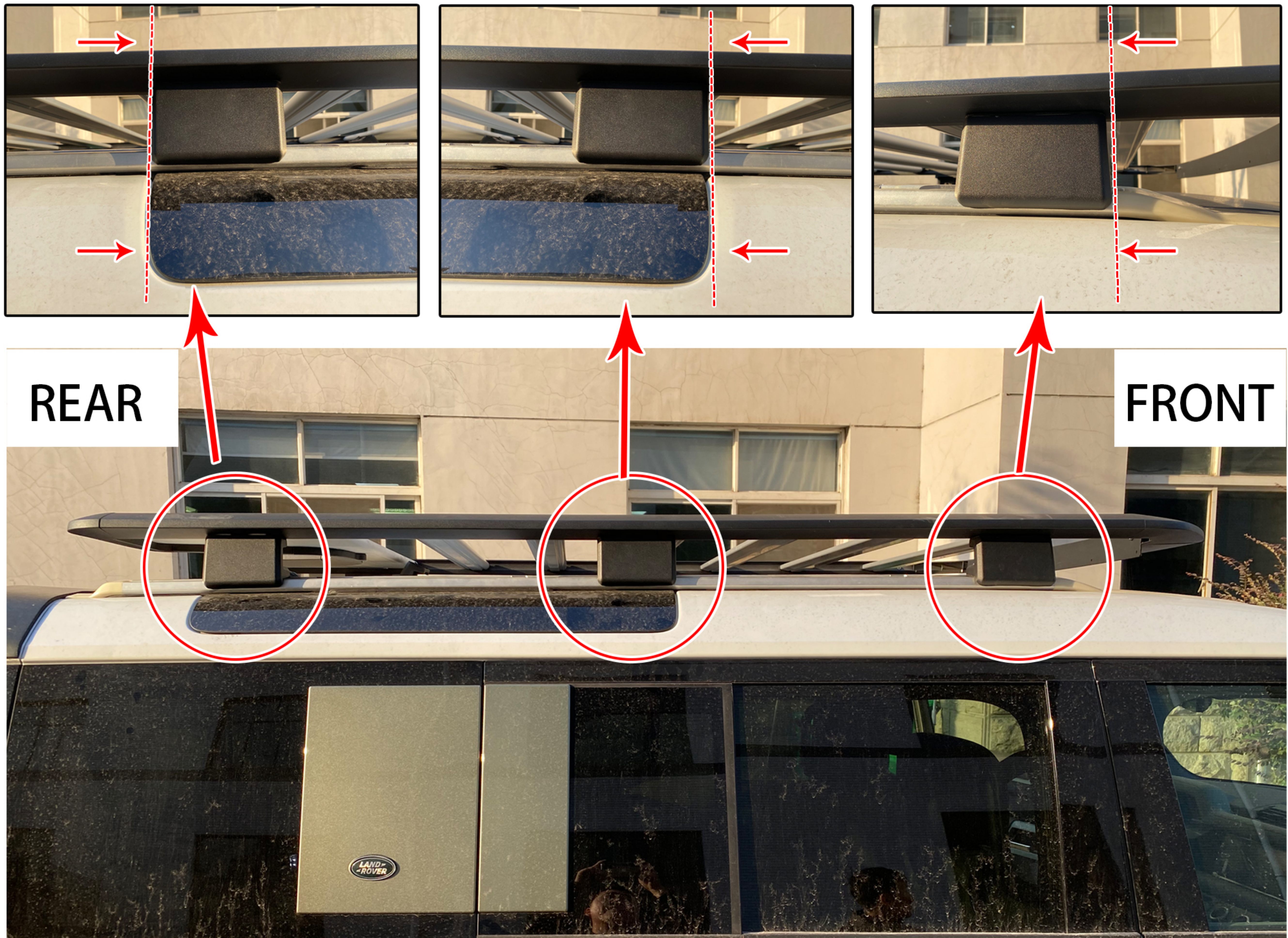


CAUTION

- Care must be taken when lifting the overhead luggage frame onto the vehicle to avoid damaging the vehicle's paint and exterior trim.
- Three people are required to complete this step. 1 person at each station on both sides of the vehicle, 1 person at the rear station of the vehicle.

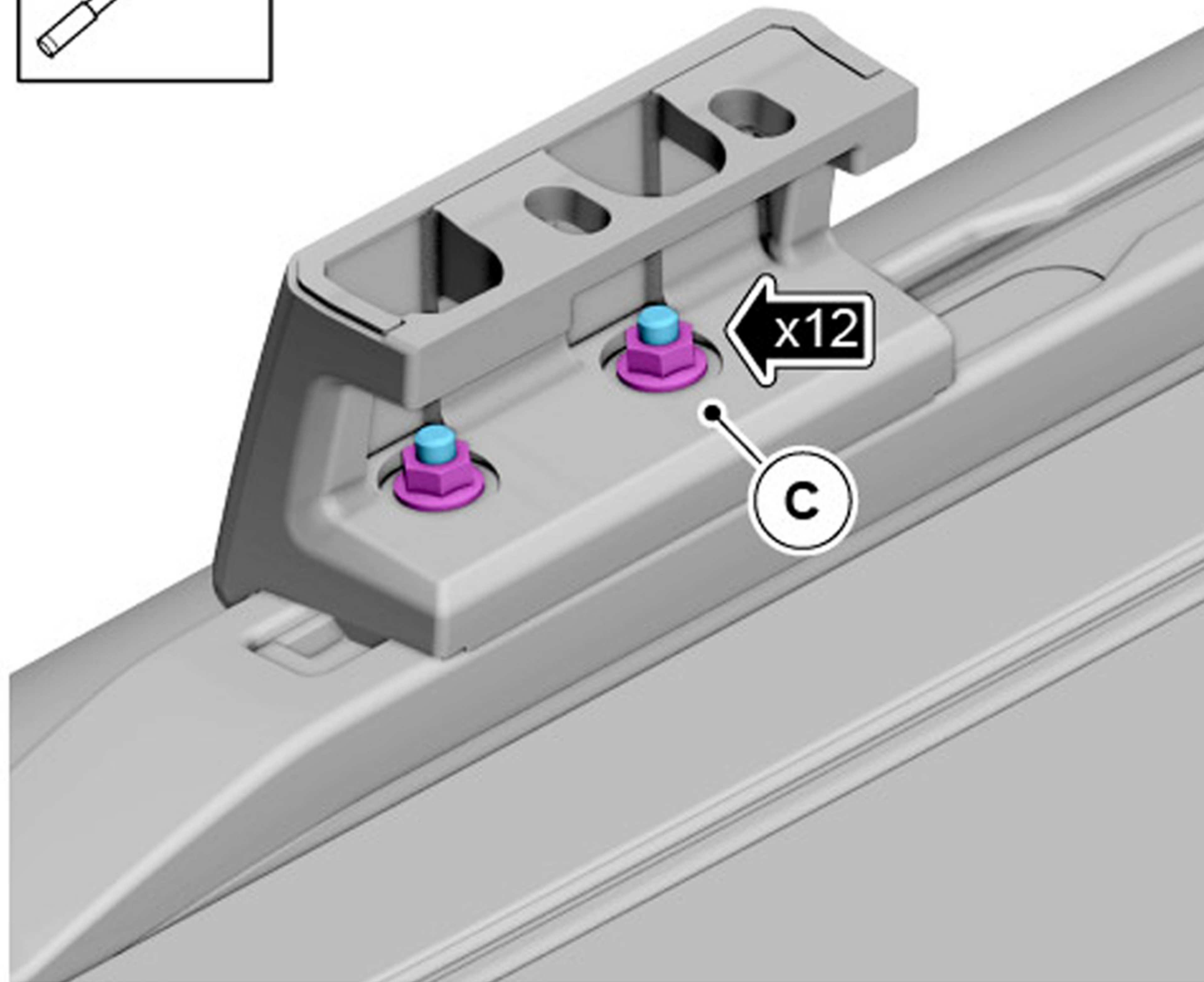
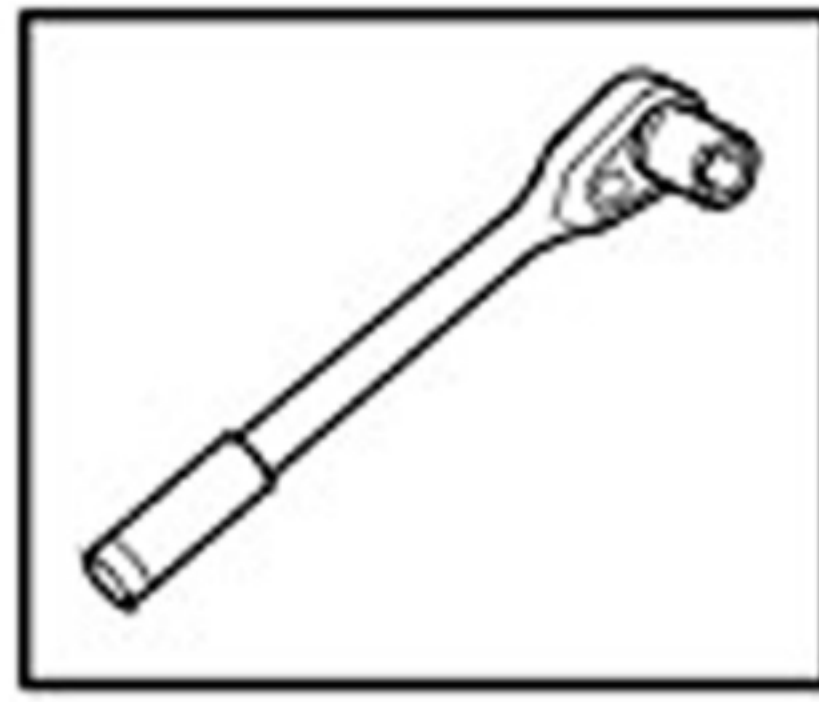
7

Adjust the position of shelf bracket (F) according to the drawing.



8

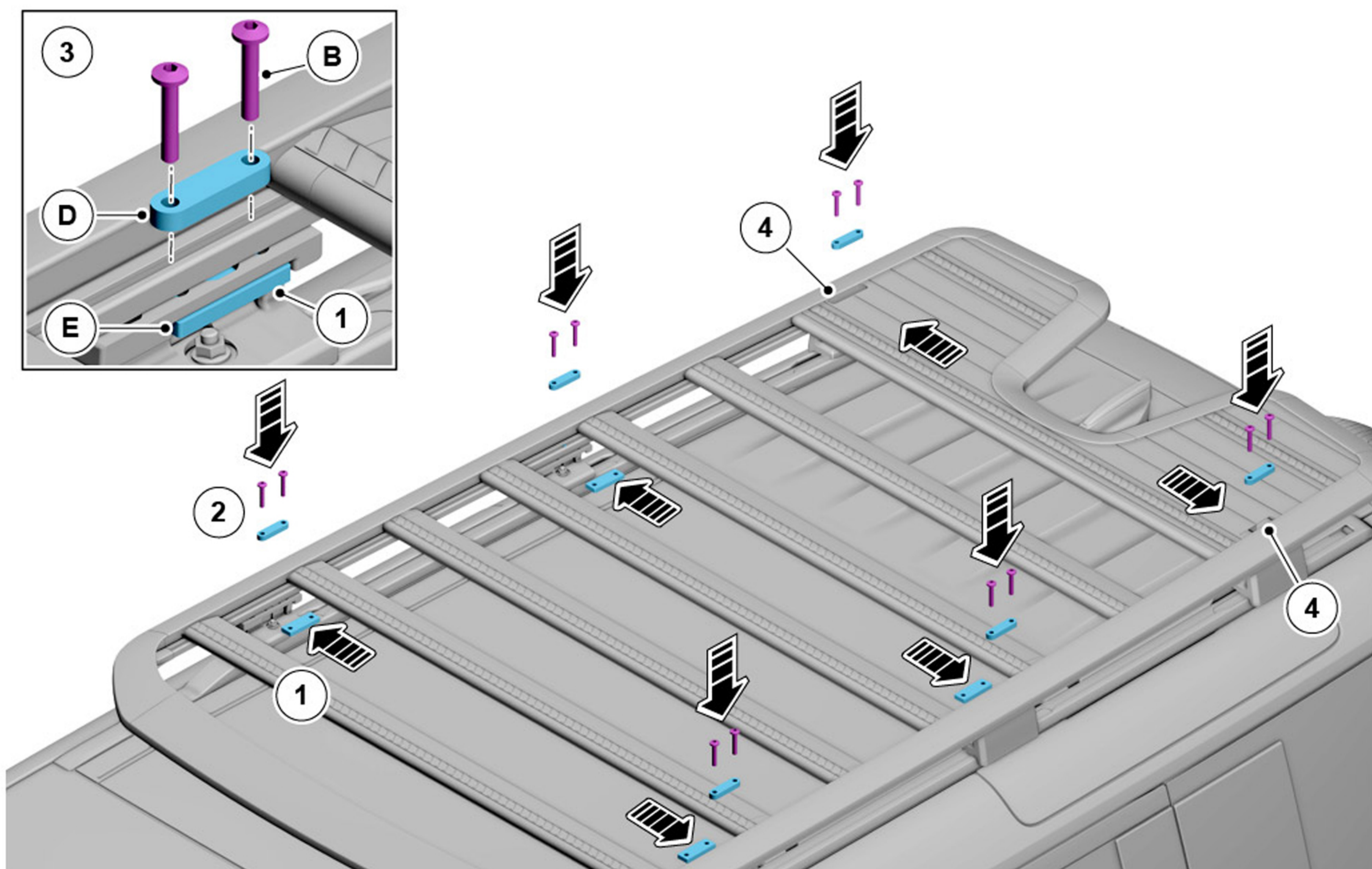
Tighten 12 fasteners (C) safely.
Torque: 27 Nm



9

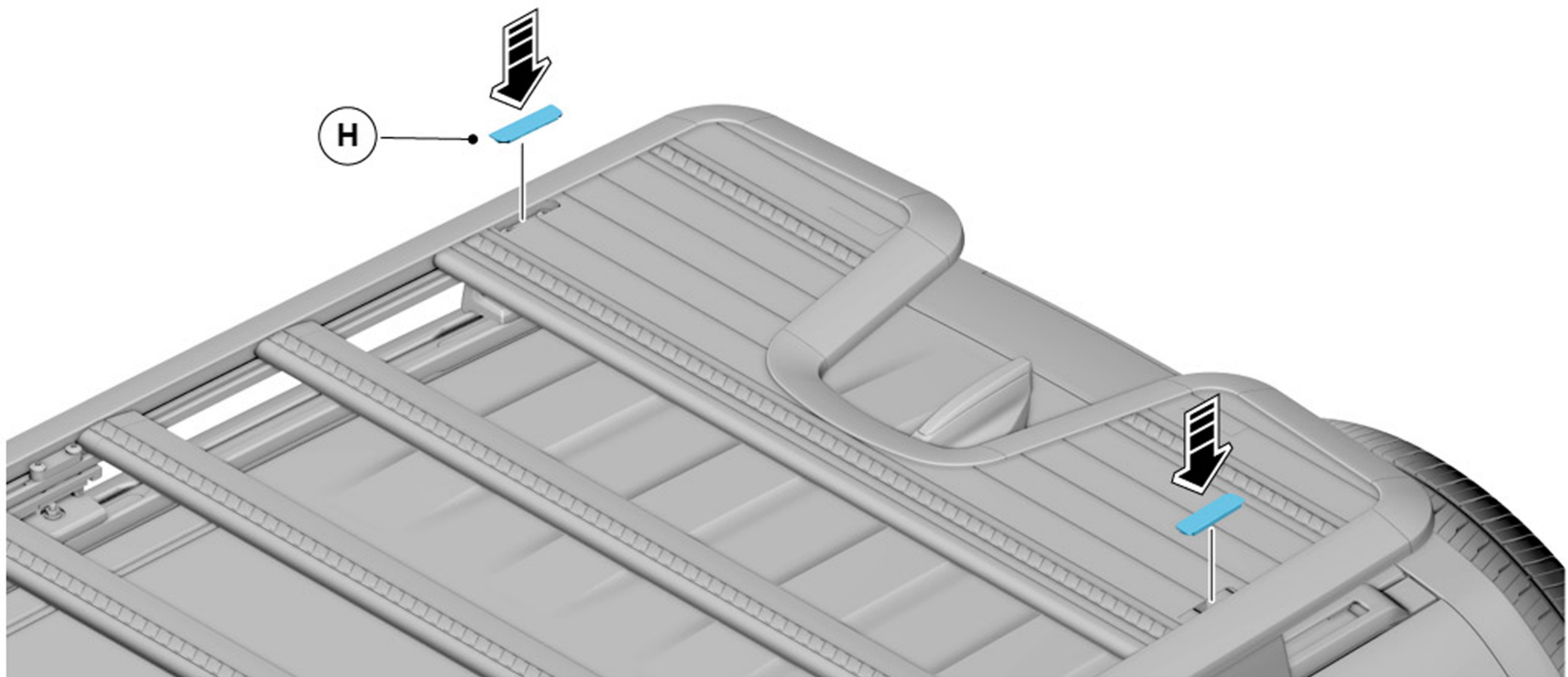
Install the Explorer roof rack to the 6 shelf brackets (F) using the dividers (E) and (D) and bolts (B).

- 1 Insert the partition (E) into the gap in the shelf bracket.
- 2 Place the bulkhead (D) and bolts (B) on the holes in the longitudinal section of the overhead baggage frame of the Explorer.
- 3 Install bolts (B) through bulkhead (D), rail and shelf bracket as shown, and finally into bulkhead (E).
- 4 Two sets of rear fasteners are required to pass through the rear of the overhead luggage frame of the Explorer.



10

Install 2 Explorer roof baggage frame covers (H) on the Explorer roof baggage frame.



11

Check that the Explorer Roof Luggage Frame is installed as shown.

