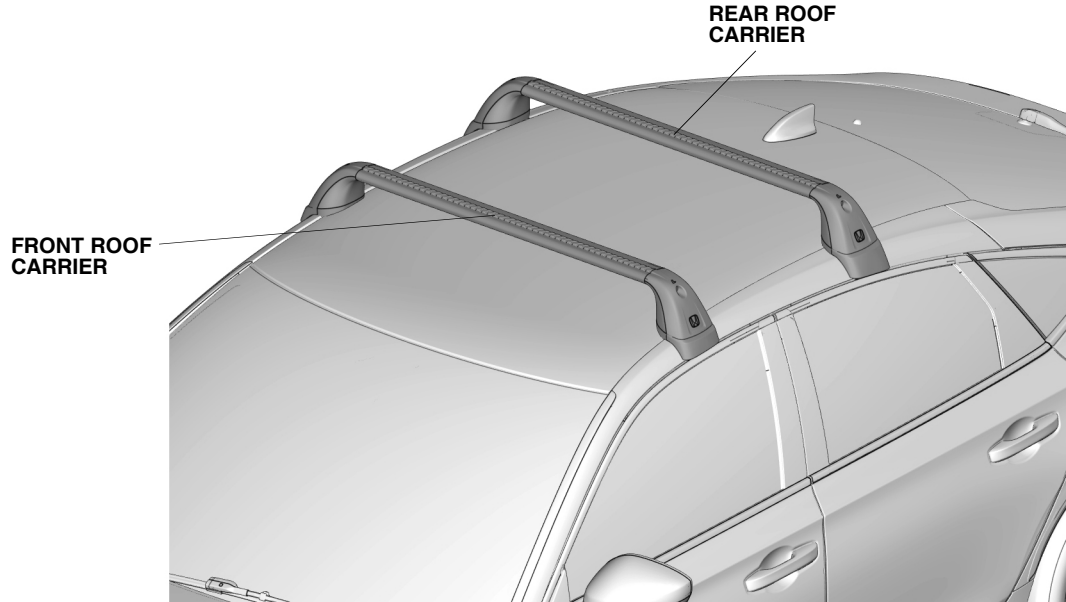


GENERAL VIEW



QL12801AJ

FOR YOUR SAFETY (Read carefully.)

Warning Symbols

Safety: Your safety, and the safety of others, is important. To help you make informed decisions about service procedures, we have provided safety messages where appropriate. Of course, it is not practical or possible to warn you about all the hazards associated with servicing a vehicle - you must use your own good judgment.

You will find important safety messages preceded by one of following symbols:

*All symbols are not used in all installation instructions.

⚠ DANGER

You will be killed or seriously hurt if you do not follow the instructions.

⚠ WARNING

You can be killed or seriously hurt if you do not follow the instructions.

⚠ CAUTION

You can be hurt if you do not follow the instructions.

NOTICE

Gives advice to prevent damage to the product, vehicle, the environment or other property.

NOTE

Gives helpful information or instructions to be followed when installing this product.

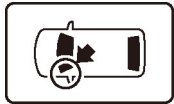


Indicates a prohibited action.

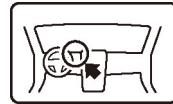
Procedure and Location Icons

These icons indicate the work location and the worker's point of view.

*All icons are not used in all installation instructions.



The location on the vehicle.



The location in the vehicle.
(instrument panel.)



Wear eye protection.



Wear heavy gloves.



Use an assistant.



Place the part on a blanket.



Work perpendicular.



Remove any burrs.



Use touch-up paint and allow to dry.



Tighten to the specified torque.



Apply firm pressure while rolling, especially at the ends, to set the adhesive.



Press firmly.



Clean with isopropyl alcohol.



Return the original part to the customer.
(Do not reuse.)

Safety: General

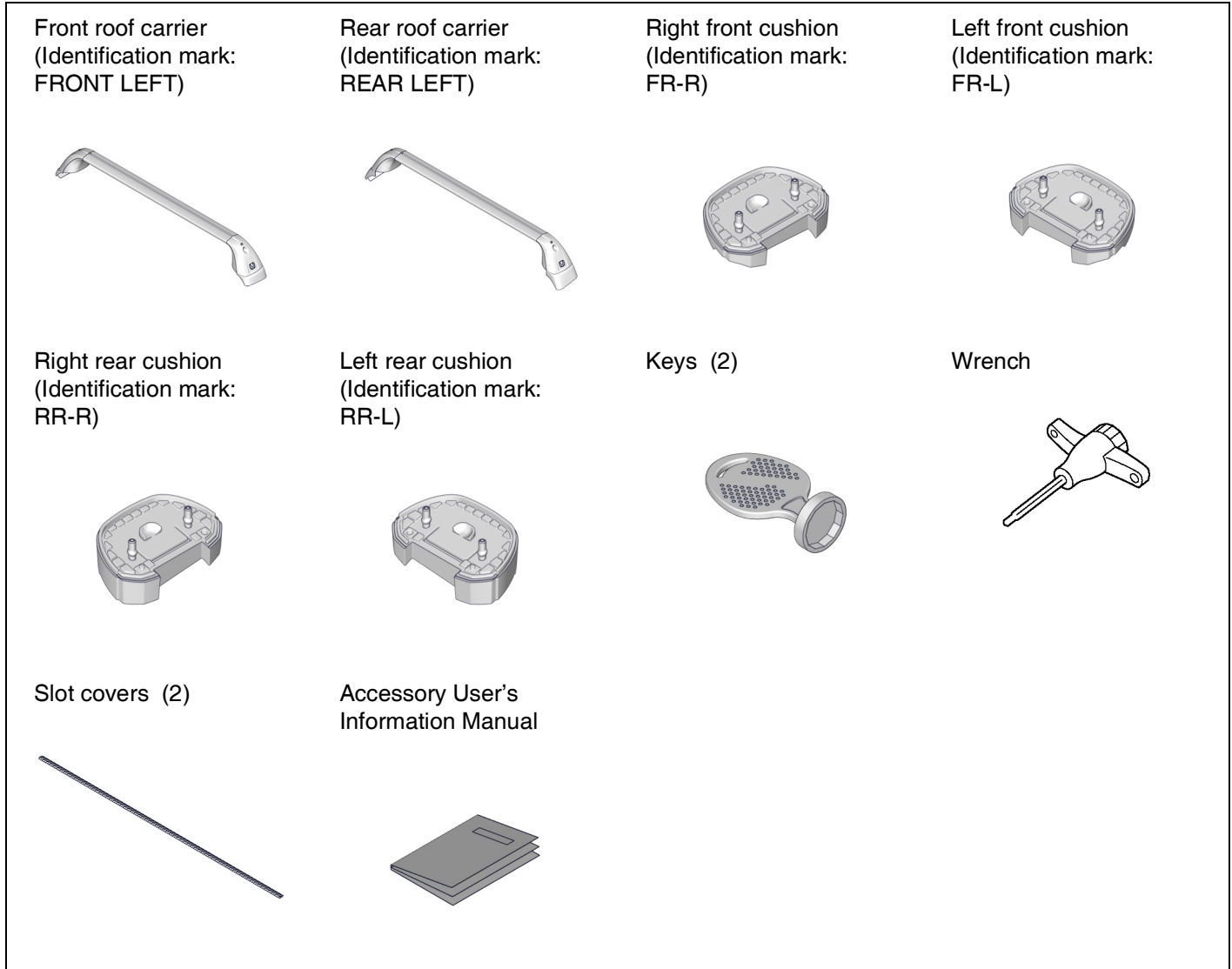
- Be careful not to damage the vehicle or the parts.
- The illustrations may differ slightly from the actual accessory.

Safety: Accessory

Always use the parts and tools specified in the installation instructions.

PARTS LIST

Roof Carrier Kit (P/N 08L02-T47-100)



REQUIRED TOOLS AND SUPPLIES

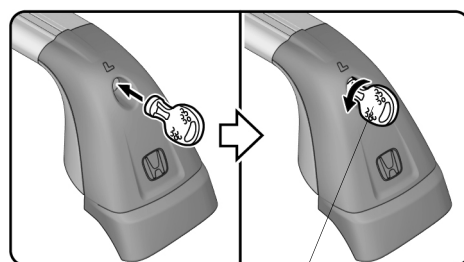
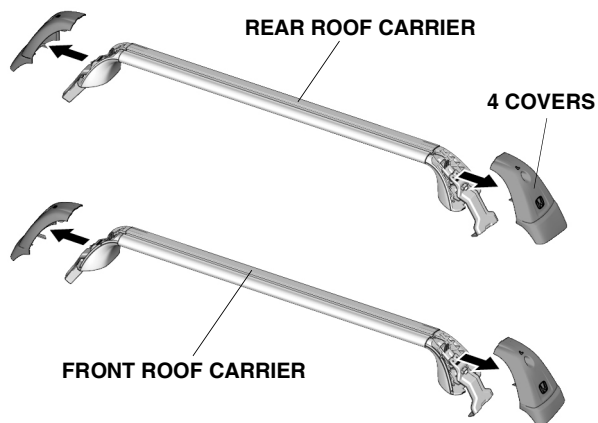
Utility knife

INSTALLATION

1. Remove the covers.

NOTICE

This roof carrier can support one roof mounted bike attachment only. Damage to the roof will occur if more than one bike attachment is used.



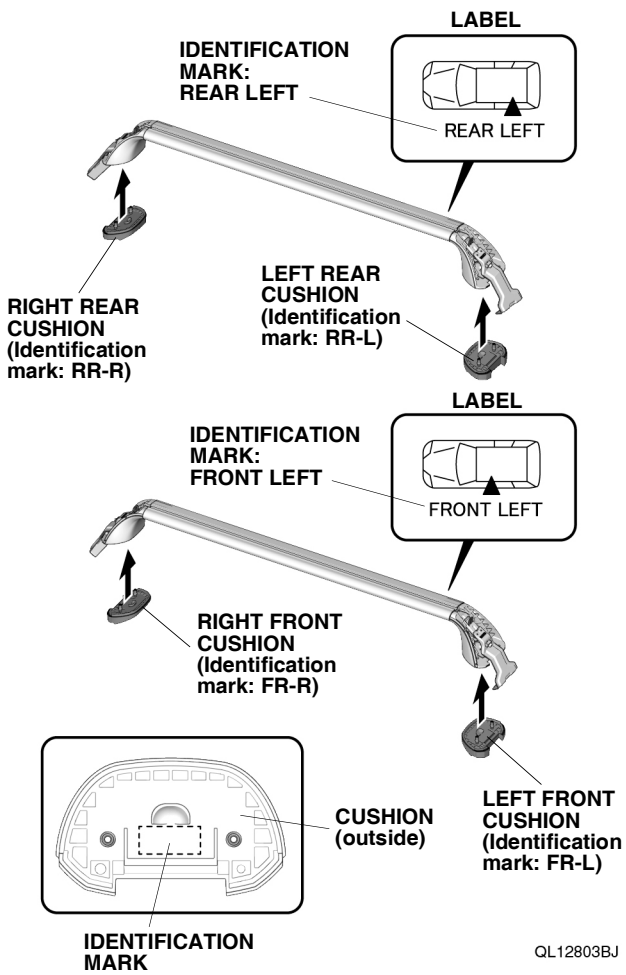
KEY
(Turn counterclockwise.)

QL12802BJ

2. Install the cushions.

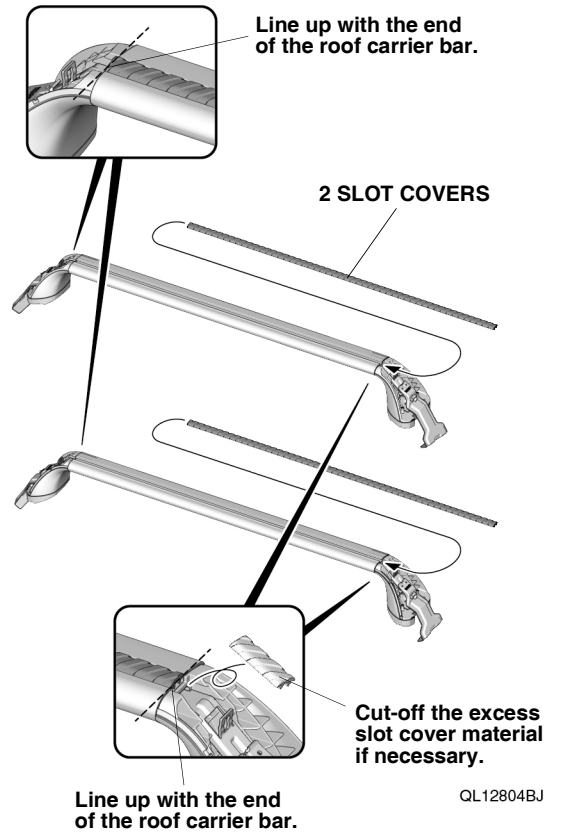
NOTE

Make sure to check the identification mark before installation.



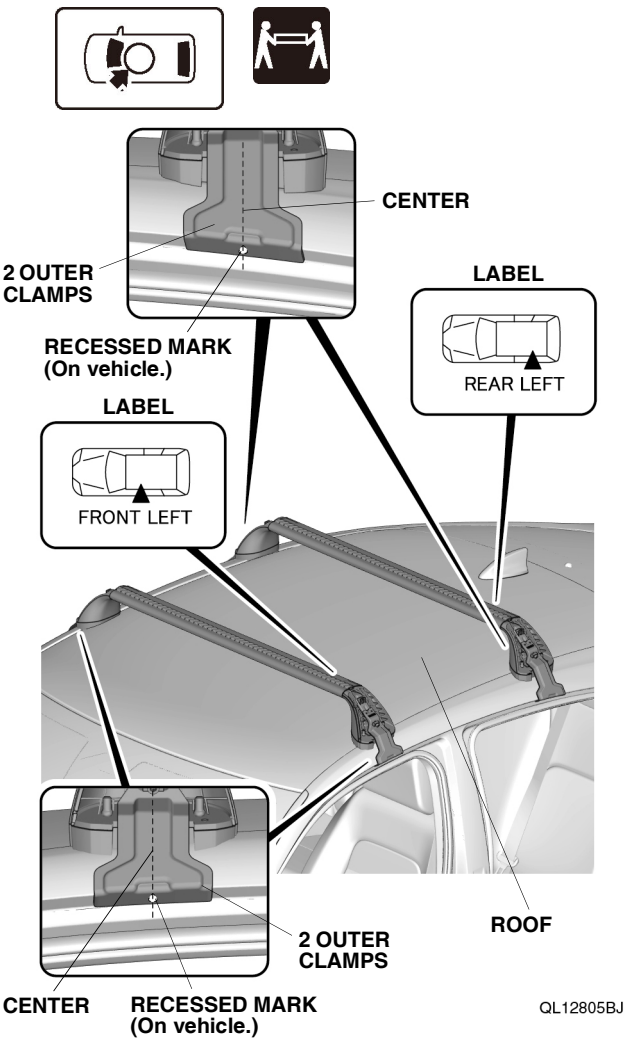
3. Install the slot covers.

NOTE
Cut-off the excess slot cover material if necessary.



4. Position the roof carriers.

NOTE
Make sure to check the label before installation.

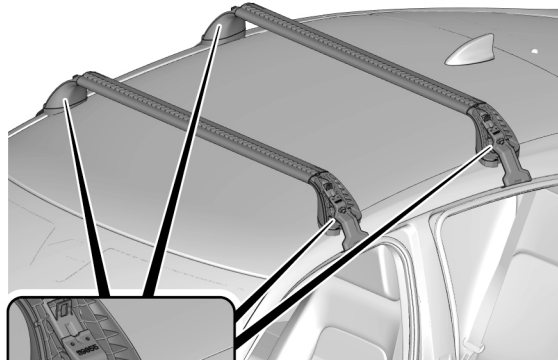
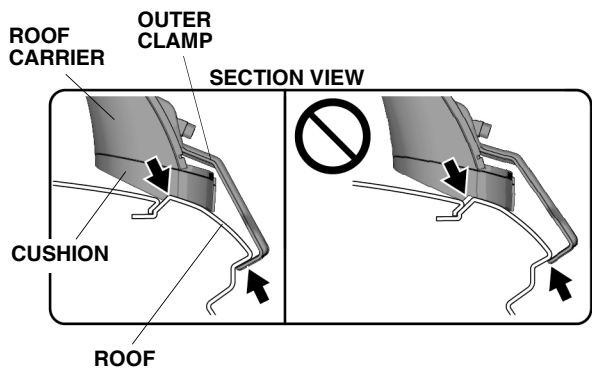


QL12805BJ

5. Secure the roof carriers.

NOTE

Tighten the right and left socket bolts alternately to evenly distribute the pressure.



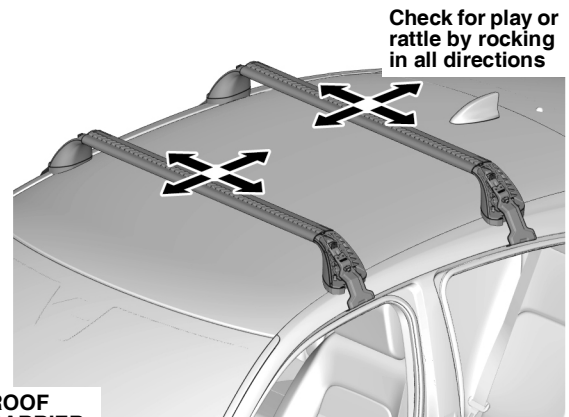
4 SOCKET BOLTS
4 OUTER CLAMPS
WRENCH
(Turn until you hear a clicking sound.)

QL12806CJ

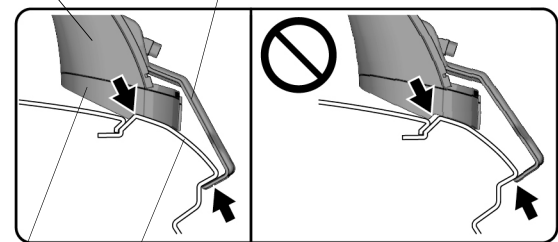
6. Ensure the roof carriers are secured.

NOTE

- Rock the roof carriers in all directions to check if they are installed securely without play or rattle.
- If found with abnormal play or rattle, retighten the socket bolts, or reinstall the roof carriers as described in these installation instructions.



ROOF CARRIER
OUTER CLAMP



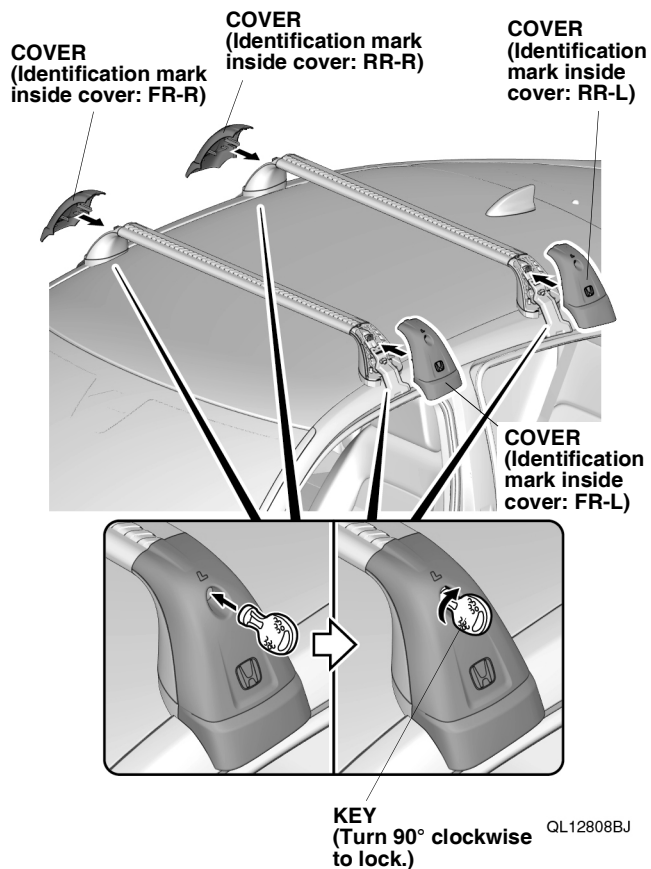
CUSHION
ROOF
SECTION VIEW

QL12807CJ

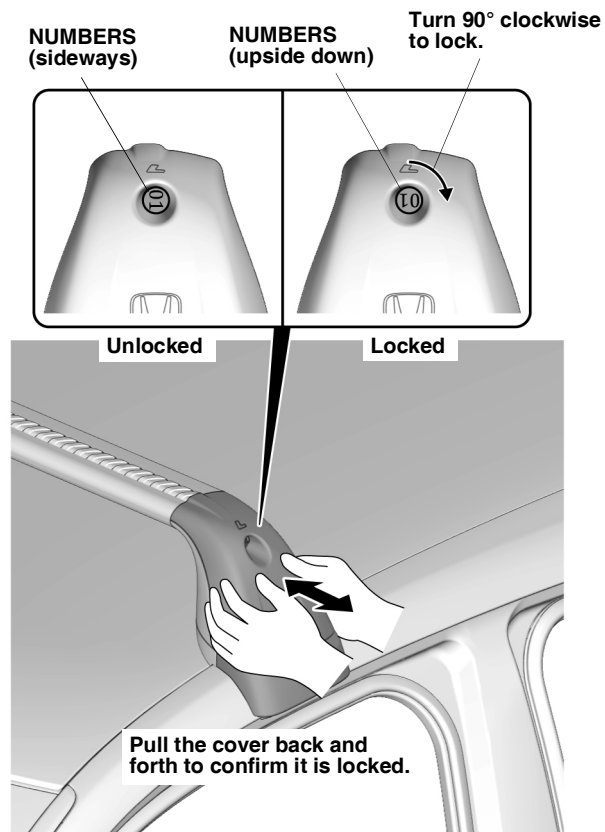
7. Install the covers.

NOTE

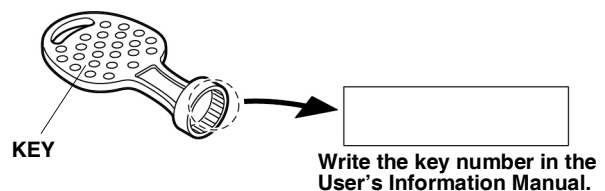
Make sure to check the identification mark before installation.



8. Confirm the covers are locked.



9. Write down the key number.



10. Check that all parts are installed properly.
11. Give the Accessory User's Information Manual to the customer.