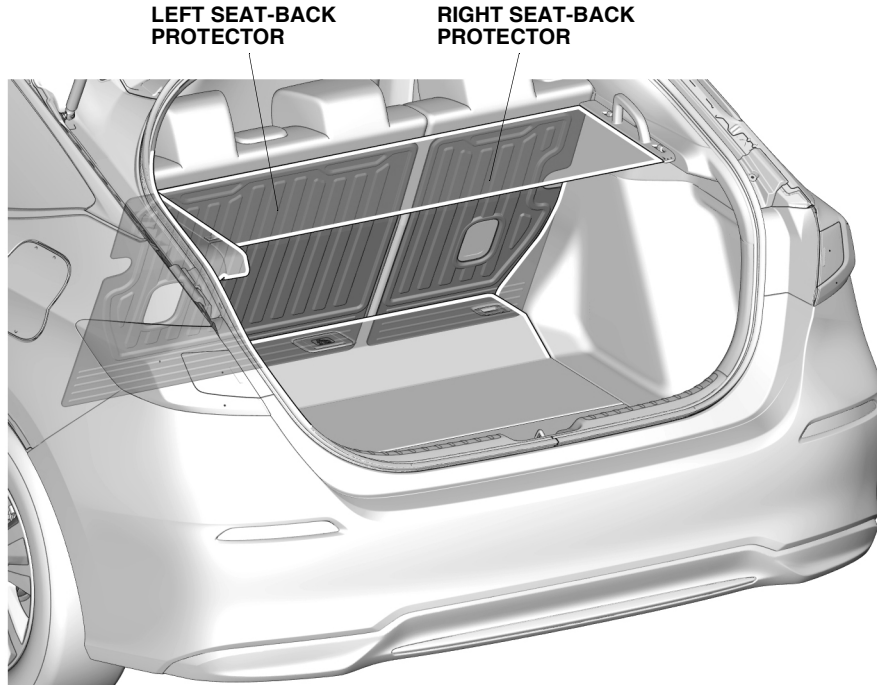


GENERAL VIEW



QL12601BJ

FOR YOUR SAFETY (Read carefully.)

Warning Symbols

Safety: Your safety, and the safety of others, is important. To help you make informed decisions about service procedures, we have provided safety messages where appropriate. Of course, it is not practical or possible to warn you about all the hazards associated with servicing a vehicle - you must use your own good judgment.

You will find important safety messages preceded by one of following symbols:

*All symbols are not used in all installation instructions.

⚠ DANGER

You will be killed or seriously hurt if you do not follow the instructions.

⚠ WARNING

You can be killed or seriously hurt if you do not follow the instructions.

⚠ CAUTION

You can be hurt if you do not follow the instructions.

NOTICE

Gives advice to prevent damage to the product, vehicle, the environment or other property.

NOTE

Gives helpful information or instructions to be followed when installing this product.

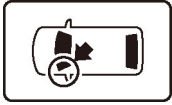


Indicates a prohibited action.

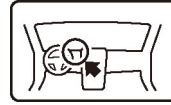
Procedure and Location Icons

These icons indicate the work location and the worker's point of view.

*All icons are not used in all installation instructions.



The location on the vehicle.



The location in the vehicle.
(instrument panel.)



Wear eye protection.



Wear heavy gloves.



Use an assistant.



Place the part on a blanket.



Work perpendicular.



Remove any burrs.



Use touch-up paint and allow to dry.



Tighten to the specified torque.



Apply firm pressure while rolling, especially at the ends, to set the adhesive.



Press firmly.



Clean with isopropyl alcohol.



Return the original part to the customer.
(Do not reuse.)

Safety: General

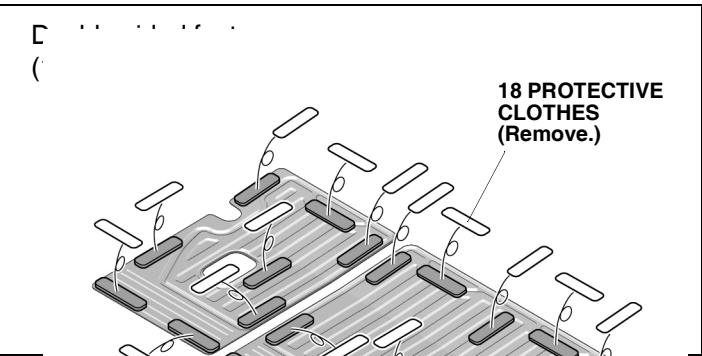
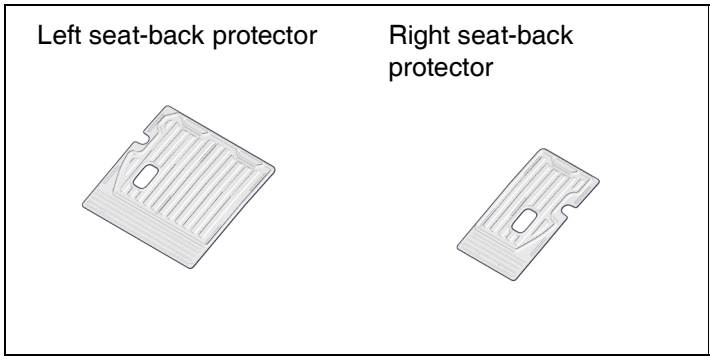
- Be careful not to damage the vehicle or the parts.
- The illustrations may differ slightly from the actual accessory.

Safety: Accessory

Always use the parts and tools specified in the installation instructions.

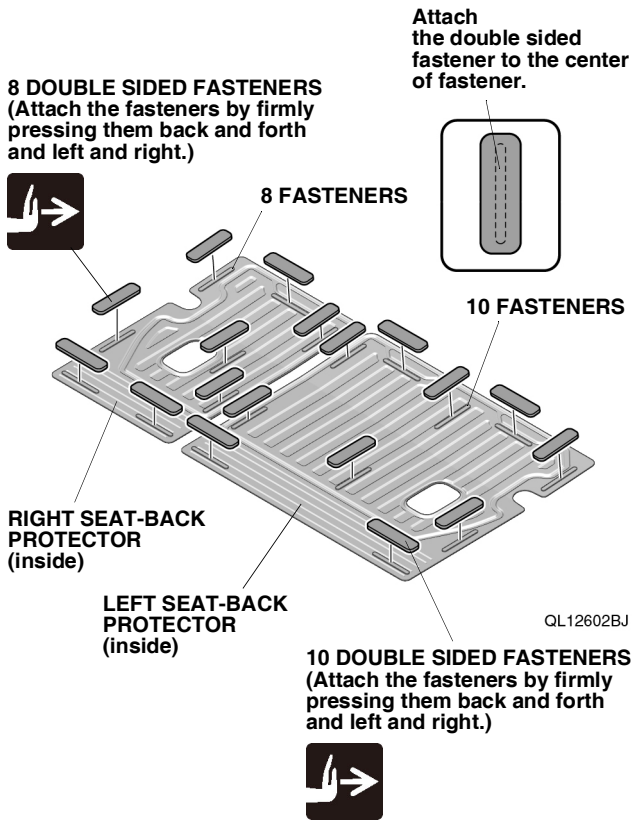
PARTS LIST

Seat-back Protector Kit (P/N 08P30-T47-100)



INSTALLATION

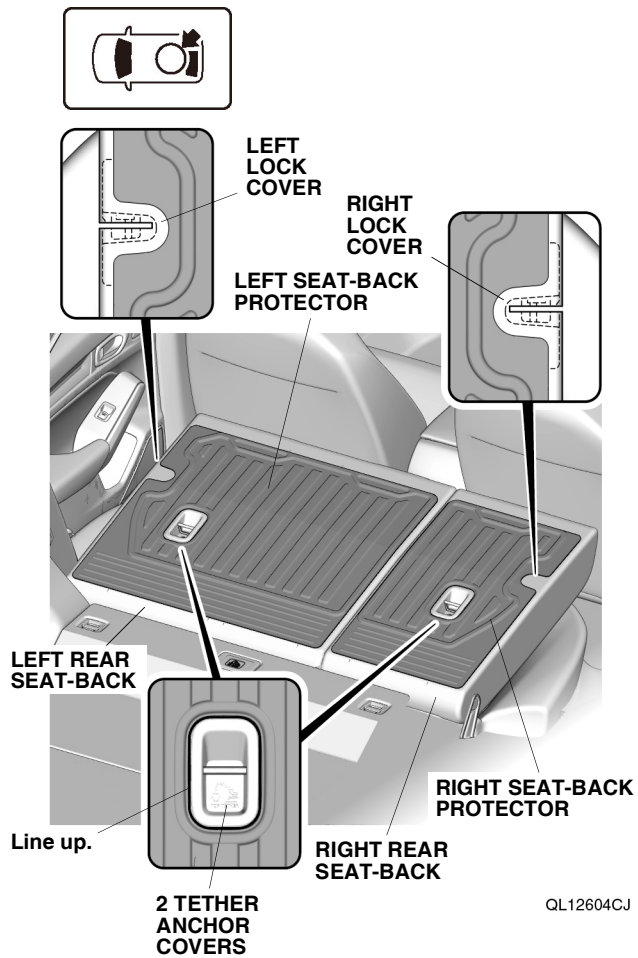
1. Attach the double sided fasteners.



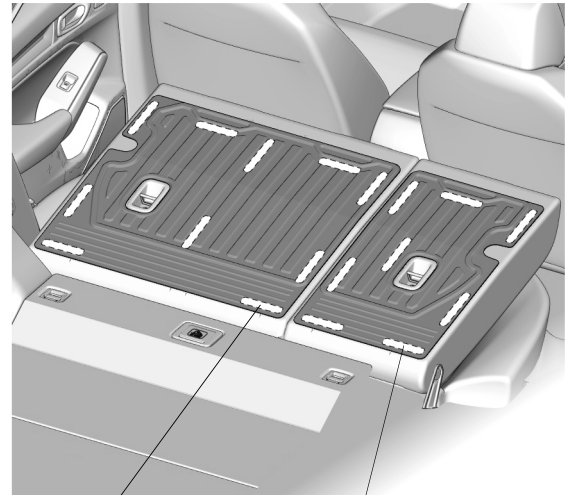
2. Remove the protective clothes.

3. Position the left and right seat-back protectors.

QL12603BJ



4. Secure the left and right seat-back protectors.



10 DOUBLE SIDED FASTENERS
(Attach the fasteners by firmly pressing them back and forth and left and right.)

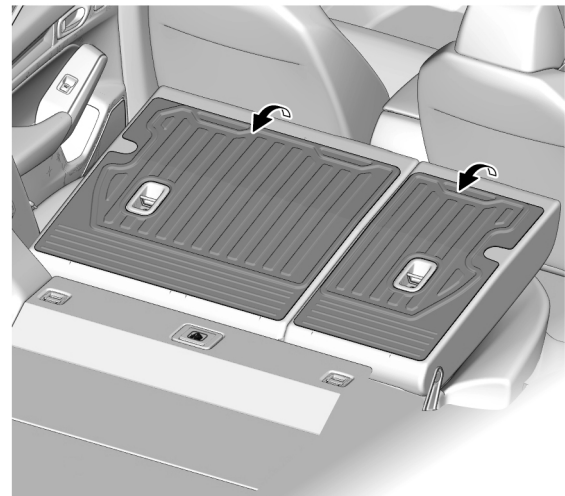


8 DOUBLE SIDED FASTENERS
(Attach the fasteners by firmly pressing them back and forth and left and right.)



QL12605CJ

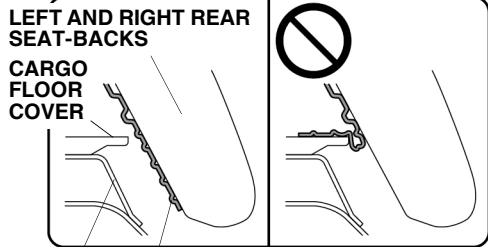
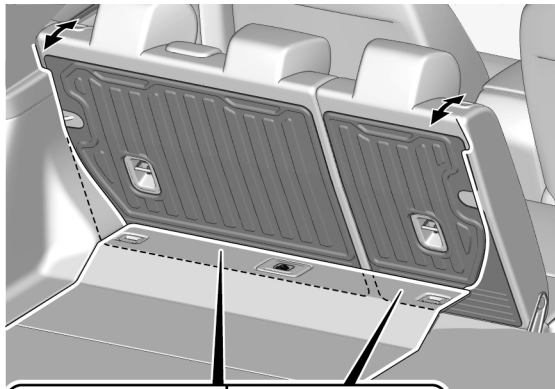
5. Raise the left and right seat-backs.



6. Check that left and right seat-back protectors installed properly.

NOTE

Adjust the position of the protectors if necessary.



VEHICLE
PANEL

LEFT AND RIGHT
SEAT-BACK
PROTECTORS

QL12607CJ

7. Check that all parts are installed properly.