

YEARS: 2017-PRESENT

MAKE: MERCEDES-BENZ

MODEL: E300

STYLE: SEDAN

WARNING: NEVER EXCEED YOUR VEHICLE MANUFACTURER'S RECOMMENDED TOWING CAPACITY
 For more information log onto www.curtmfg.com & for helpful towing tips log onto www.hitchinfo.com

WEIGHT CARRYING:
 TRAILER WEIGHT: 2,000 LBS.
 TONGUE WEIGHT: 200 LBS.

WARNING:
 WE RECOMMEND THE USE OF 18050 STABILIZING STRAPS FOR ALL NON-TRAILER (WHEEL-LESS) LOADS. PLEASE SEE THE CURT CATALOG OR VISIT US ONLINE AT WWW.CURTMFG.COM FOR FURTHER INFORMATION.

PRO INSTALL TIME: 45 MIN.
NOVICE INSTALL TIME: 90 MIN.

IF YOU ARE HESITANT TO UNDERTAKE THIS TASK ON YOUR OWN, CONTACT AN AUTHORIZED CURT INSTALLER FOR ADDITIONAL ASSISTANCE.

INSTALLATION TIPS:

- BEFORE YOU BEGIN INSTALLATION, READ ALL INSTRUCTIONS THOROUGHLY.
- TO EASE INSTALLATION, 2 PEOPLE MAY BE REQUIRED.
- USING PROPER TOOLS WILL GREATLY IMPROVE THE QUALITY OF THE INSTALL AND REDUCE THE TIME REQUIRED.
- NEED HELP OR HAVE SOME QUESTIONS? CALL TECHNICAL SUPPORT AT 800.798.0813

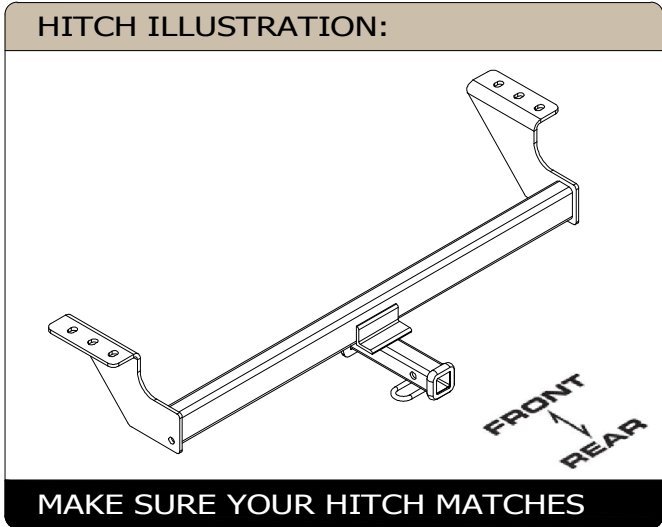


INSTALLATION REQUIRES:

RATCHET	TORQUE WRENCH	6" SOCKET EXTENSION
E12 8mm 10mm 11/16" SOCKET	T25 TORXBIT T40 SOCKET	DIE GRINDER
POWER DRILL	DRILL BIT 1/2"	MARKER
MASKING TAPE	AVIATION SHEARS	SAFETY GLASSES

LEVEL OF DIFFICULTY: MODERATE

EASY	MODERATE	CHALLENGING
	LOWER EXHAUST	
	TEMPORARILY REMOVE EXHAUST TIPS AND HEAT SHIELDS	
	TRIM REQUIRED	
	DRILLING REQUIRED	
	HOLE ENLARGEMENT REQUIRED	



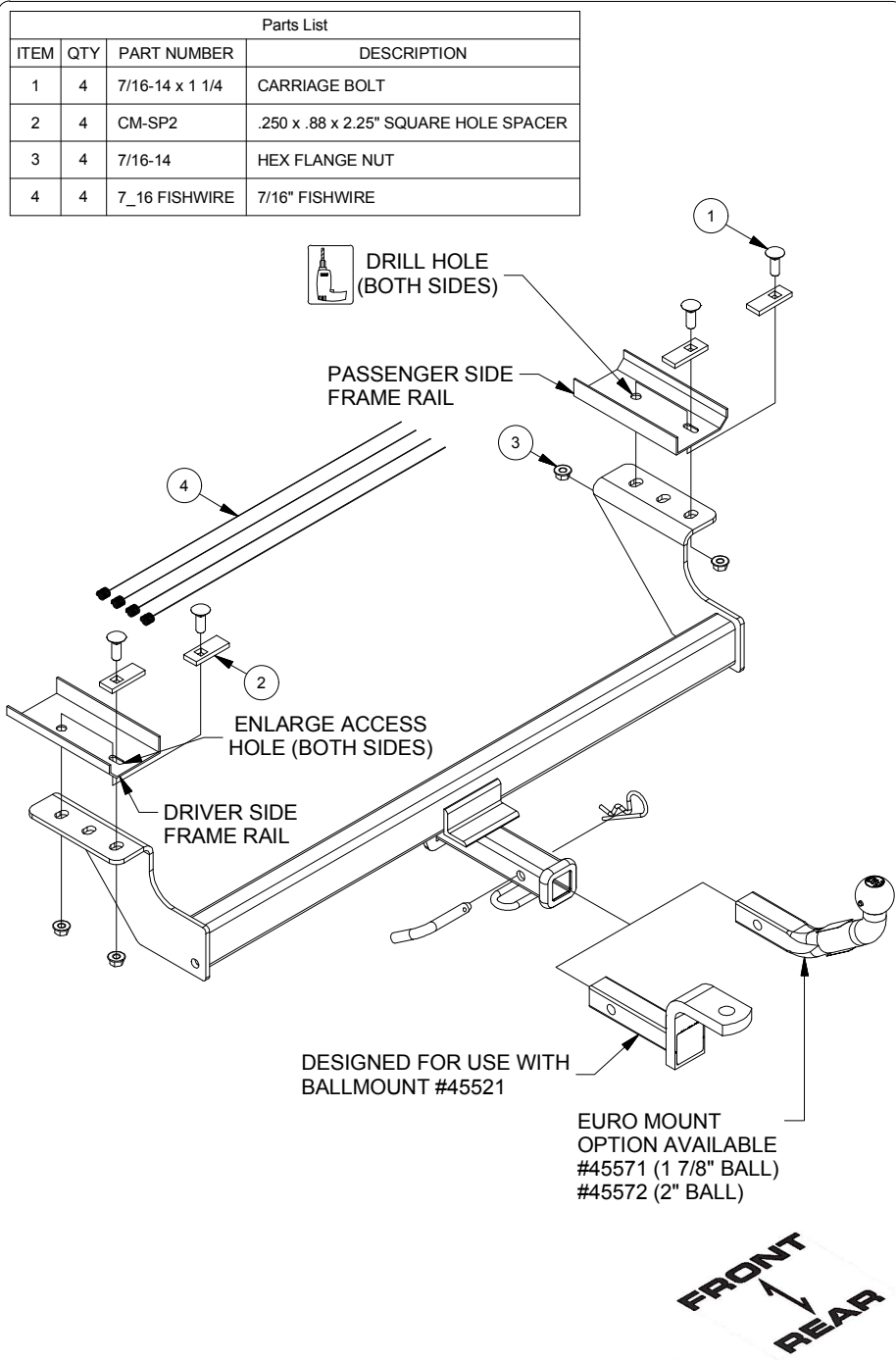
PERIODICALLY CHECK THIS RECEIVER HITCH TO ENSURE ALL FASTENERS ARE TIGHT AND ALL STRUCTURAL COMPONENTS ARE SOUND

CURT Manufacturing LLC. warrants this product to be free of defects in material and/or workmanship at the time of retail purchase by the original purchaser. If the product is found to be defective, CURT Manufacturing LLC. may repair or replace the product at their option, when the product is returned, prepaid, with proof of purchase. Alteration to, misuse of, or improper installation of this product voids the warranty. CURT Manufacturing LLC.'s liability is limited to repair or replacement of products found to be defective, and specifically excludes liability for incidental or consequential loss or damage.

For more information log onto www.curtmfg.com , & for helpful towing tips log onto www.hitchinfo.com

This product complies with safety specifications and requirements for connecting devices and towing systems of the state of New York, V.E.S.C.Regulation V-5 and SAE J684.

INSTALLATION WALKTHROUGH:



1. Locate on the exhaust tips (6) bolts, (3) on each tip, and remove using a T40 torxbit socket. Remove exhaust tips and set aside for later reinstallation.



2. To lower exhaust, remove (2) bolts using an E12 socket from the exhaust bracket on each side. Locate and remove (2) rubber isolators from the exhaust towards the front of the vehicle.

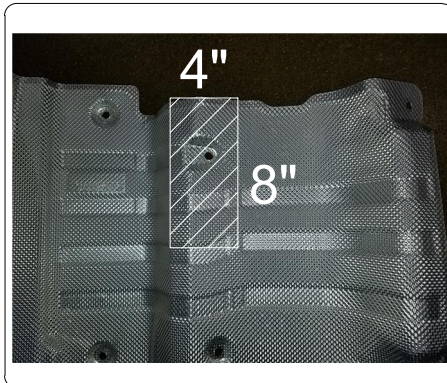


INSTALLATION WALKTHROUGH:

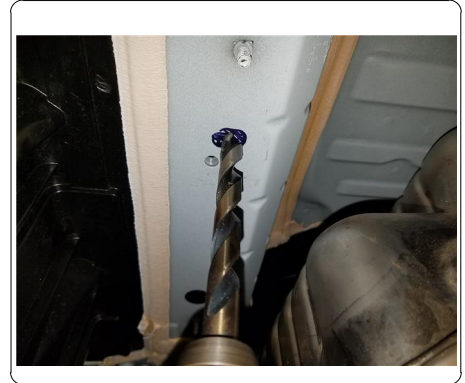
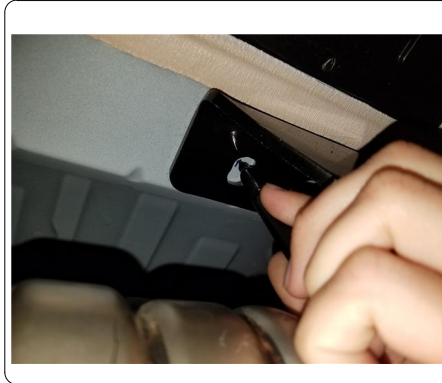
3. On the heat shields, locate and remove (4) nuts using an 8mm socket, (2) bolts using a 10mm socket, (2) screws using a T25 torxbit socket, and (1) metal clip from the heat shield on each side. Set aside for later reinstallation.



4. On the heat shields mark out a 4" x 8" section using masking tape and trim out using aviation shears. Reinstall heat shields using hardware from Step 3.



5. Raise hitch into position aligning the rear-most hole of the hitch with the existing hole on the frame to use as a template to mark out the forward most hole on each side of the hitch. Lower hitch and drill out the marked areas using a 1/2" drill bit. **NOTE:** for ease of drilling push the exhaust towards the side of the vehicle.



6. Use the die grinder to enlarge the slotted hole to a 1.125" hole. Verify that provided bolt head will fit through hole before moving on to next step.

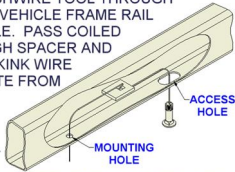


INSTALLATION WALKTHROUGH:

7. Fishwire (1) 7/16" carriage bolt and (1) CM-SP2 spacer through the enlarged access hole to the forward most hole in the frame on each side. Reverse fishwire (1) 7/16" carriage bolt and (1) CM-SP2 spacer through the enlarged access hole on each frame rail.

FISHWIRE TECHNIQUE

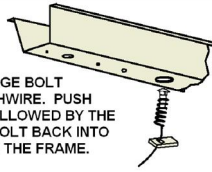
INSERT COILED END OF FISHWIRE TOOL THROUGH HITCH MOUNTING HOLE IN VEHICLE FRAME RAIL AND OUT THE ACCESS HOLE. PASS COILED END OF FISHWIRE THROUGH SPACER AND THREAD BOLT INTO COIL. KINK WIRE TO KEEP SPACER SEPARATE FROM BOLT AS SHOWN. PULL FISHWIRE, SPACER, AND BOLT THROUGH FRAME AND OUT MOUNTING HOLE. USE FISHWIRE TO GUIDE HITCH DURING MOUNTING AND PREVENT LOSS OF BOLT / SPACER INSIDE FRAME RAIL.



****NOTE: SOME VEHICLES MAY FISHWIRE THROUGH END OF FRAME****

REVERSE PULL FISHWIRE TECHNIQUE

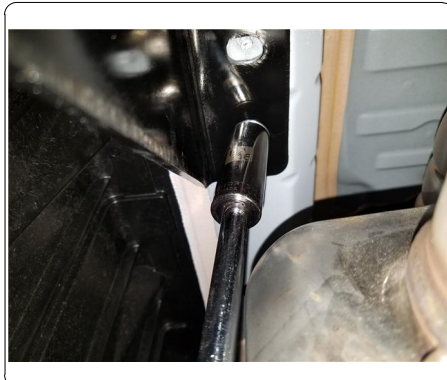
ATTACH FISHWIRE TO CARRIAGE BOLT AND SLIDE SPACER ONTO FISHWIRE. PUSH THE BOLT THRU THE HOLE FOLLOWED BY THE SPACER (AS SHOWN). PULL BOLT BACK INTO POSITION, PROTRUDING FROM THE FRAME.



9. Torque all 7/16" hardware to 59 ft-lbs. Reinstall exhaust tips and raise exhaust following Step 1-2 in reverse order.



8. Raise hitch into position feeding the fishwires through the holes in the hitch. Once hitch is in place, remove fishwires and loosely fasten (2) 7/16" hex flange nuts on each side.



GROSS LOAD CAPACITY WHEN USED AS A WEIGHT CARRYING HITCH: 2,000 LBS. TRAILER WEIGHT & 200 LBS. TONGUE WEIGHT.

WARNING: ALL NON-TRAILER LOADS APPLIED TO THIS PRODUCT MUST BE SUPPORTED BY 18050 STABILIZING STRAPS.



WARNING: ** FAILURE TO PROPERLY SUPPORT NON-TRAILER LOADS WILL VOID PRODUCT WARRANTY **

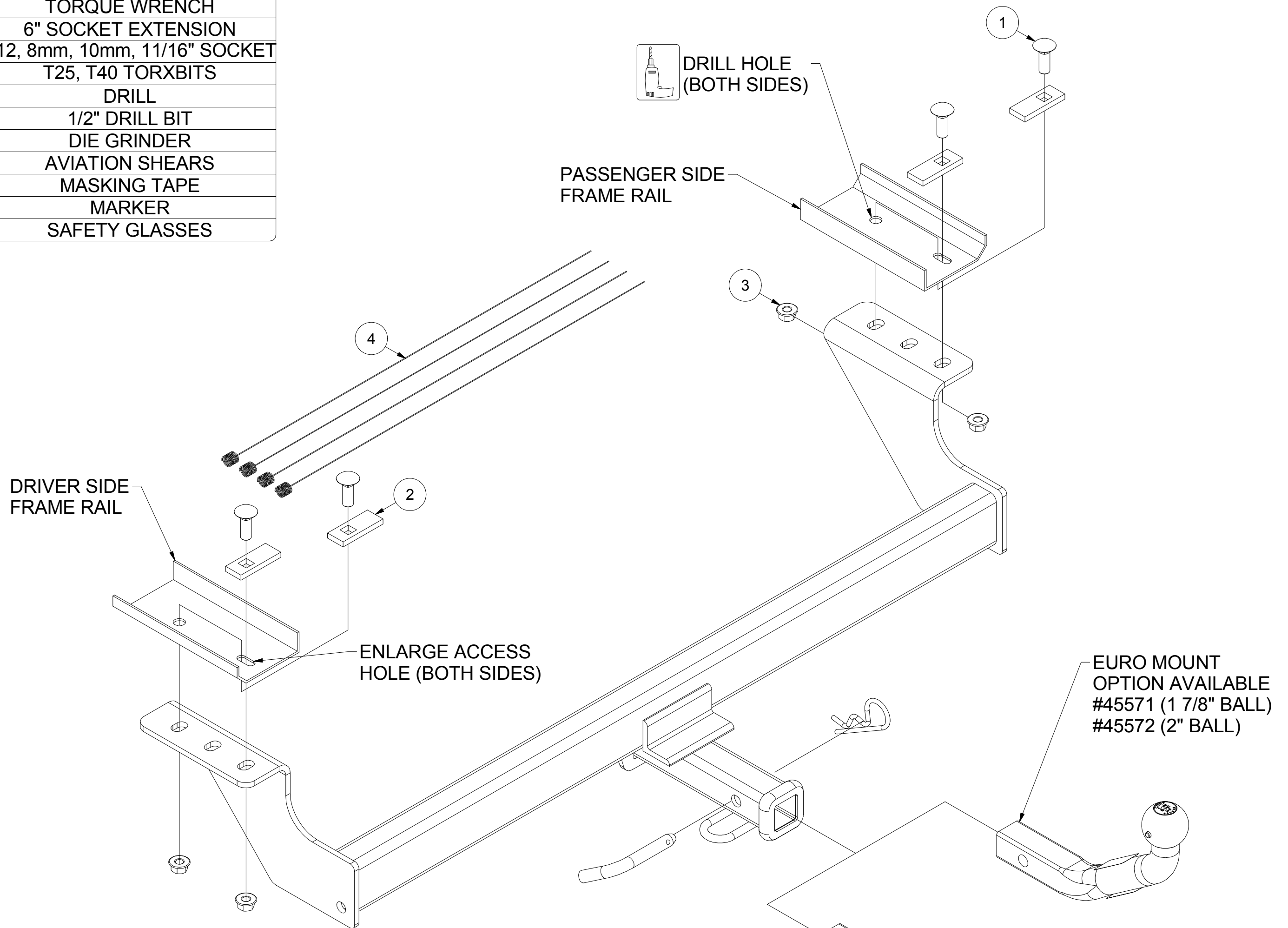
WARNING: * DO NOT EXCEED VEHICLE MANUFACTURER'S RECOMMENDED TOWING CAPACITY *****

FOR MORE INFORMATION LOG ONTO WWW.CURTMFG.COM & FOR HELPFUL TOWING TIPS LOG ONTO WWW.HITCHINFO.COM
HAVING INSTALLATION QUESTIONS? CALL TECHNICAL SUPPORT AT 1-800-798-0813



Parts List			
ITEM	QTY	PART NUMBER	DESCRIPTION
1	4	7/16-14 x 1 1/4	CARRIAGE BOLT
2	4	CM-SP2	.250 x .88 x 2.25" SQUARE HOLE SPACER
3	4	7/16-14	HEX FLANGE NUT
4	4	7_16 FISHWIRE	7/16" FISHWIRE

TOOLS REQUIRED	
RATCHET	
TORQUE WRENCH	
6" SOCKET EXTENSION	
E12, 8mm, 10mm, 11/16" SOCKET	
T25, T40 TORXBITS	
DRILL	
1/2" DRILL BIT	
DIE GRINDER	
AVIATION SHEARS	
MASKING TAPE	
MARKER	
SAFETY GLASSES	



HITCH WEIGHT: 24 LBS.

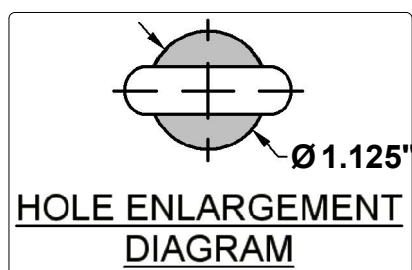
INSTALL TIME

PROFESSIONAL: 45 MINUTES

NOVICE (DIY): 90 MINUTES

INSTALL NOTES:

- LOWER EXHAUST
- TEMPORARILY REMOVE EXHAUST TIPS AND HEAT SHIELDS
- TRIM REQUIRED
- DRILLING REQUIRED
- HOLE ENLARGEMENT REQUIRED



DESIGNED FOR USE WITH BALLMOUNT #45521

FRONT
REAR



Scan for more information

PERIODICALLY CHECK THIS RECEIVER HITCH TO ENSURE THAT ALL FASTENERS ARE TIGHT AND THAT ALL STRUCTURAL COMPONENTS ARE SOUND.

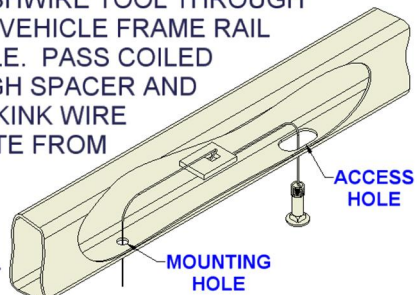
CURT Manufacturing LLC., warrants this product to be free of defects in material and/or workmanship at the time of retail purchase by the original purchaser. If the product is found to be defective, CURT Manufacturing LLC., may repair or replace the product, at their option, when the product is returned, prepaid, with proof of purchase. Alteration to, misuse of, or improper installation of this product voids the warranty. CURT Manufacturing LLC.'s liability is limited to repair or replacement of products found to be defective, and specifically excludes liability for incidental or consequential loss or damage.

This product complies with safety specifications and requirements for connecting devices and towing systems of the state of New York, V.E.S.C.Regulation V-5 and SAE J684.

HAVING INSTALLATION QUESTIONS? CALL TECHNICAL SUPPORT AT 1-800-798-0813

FISHWIRE TECHNIQUE

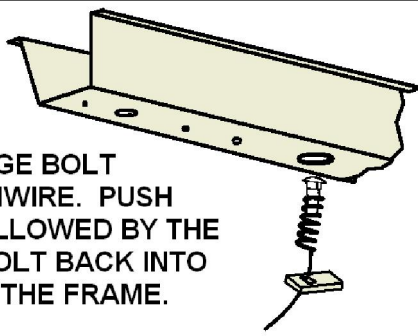
INSERT COILED END OF FISHWIRE TOOL THROUGH HITCH MOUNTING HOLE IN VEHICLE FRAME RAIL AND OUT THE ACCESS HOLE. PASS COILED END OF FISHWIRE THROUGH SPACER AND THREAD BOLT INTO COIL. KINK WIRE TO KEEP SPACER SEPARATE FROM BOLT AS SHOWN. PULL FISHWIRE, SPACER, AND BOLT THROUGH FRAME AND OUT MOUNTING HOLE. USE FISHWIRE TO GUIDE HITCH DURING MOUNTING AND PREVENT LOSS OF BOLT / SPACER INSIDE FRAME RAIL.



NOTE: SOME VEHICLES MAY FISHWIRE THROUGH END OF FRAME

REVERSE PULL FISHWIRE TECHNIQUE

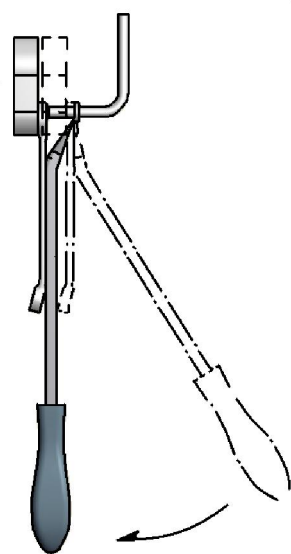
ATTACH FISHWIRE TO CARRIAGE BOLT AND SLIDE SPACER ONTO FISHWIRE. PUSH THE BOLT THRU THE HOLE FOLLOWED BY THE SPACER (AS SHOWN). PULL BOLT BACK INTO POSITION, PROTRUDING FROM THE FRAME.



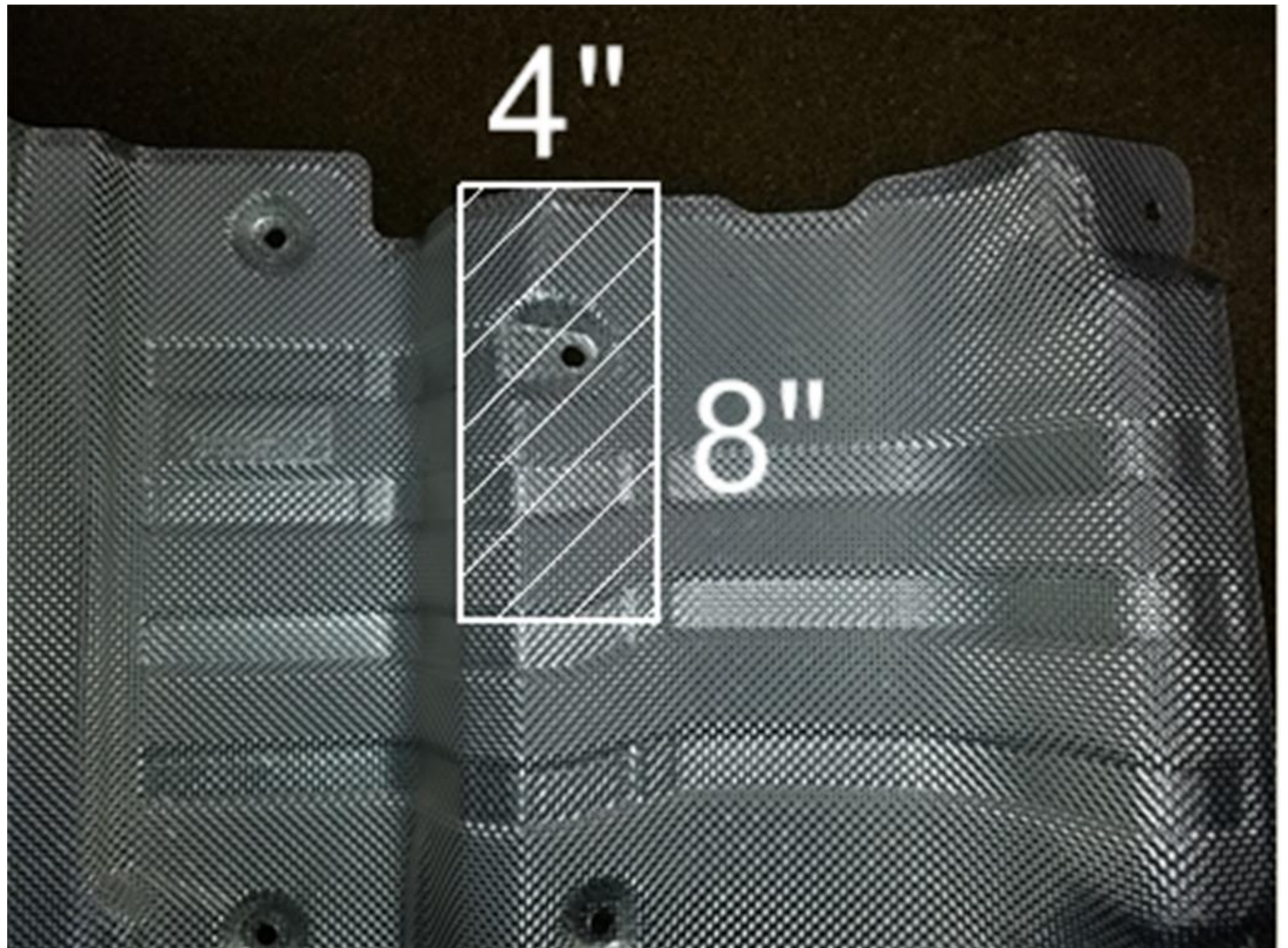
RUBBER ISOLATOR REMOVAL DIAGRAM

This technique can be used if an Exhaust Hanger Removal Pliers is not available.

Using a 5/8" open end wrench, slide the wrench up to the rubber isolator, cradling the hanger rod as shown. Next place the flat edge of a pry bar between the wrench and the hanger stop or hanger rod. Then simply rotate the pry bar toward the wrench to remove the rubber isolator.



Note: Using a spray lubricant or soapy water on the hanger rod and the rubber isolator helps removal.



INSTALLATION STEPS

1. Locate on the exhaust tips (6) bolts, (3) on each tip, and remove using a T40 torxbit socket. Remove exhaust tips and set aside for later reinstallation.
2. To lower exhaust, remove (2) bolts using an E12 socket from the exhaust bracket on each side. Locate and remove (2) rubber isolators from the exhaust towards the front of the vehicle.
3. On the heat shields, locate and remove (4) nuts using an 8mm socket, (2) bolts using a 10mm socket, (2) screws using a T25 torxbit socket, and (1) metal clip from the heat shield on each side. Set aside for later reinstallation.
4. On the heat shields mark out a 4" x 8" section using masking tape and trim out using aviation shears. Reinstall heat shields using hardware from Step 3.
5. Raise hitch into position aligning the rear-most hole of the hitch with the existing hole on the frame to use as a template to mark out the forward most hole on each side of the hitch. Lower hitch and drill out the marked areas using a 1/2" drill bit.
NOTE: for ease of drilling push the exhaust towards the side of the vehicle.
6. Use the die grinder to enlarge the slotted hole to a 1.125" hole. Verify that provided bolt head will fit through hole before moving on to next step.
7. Fishwire (1) 7/16" carriage bolt and (1) CM-SP2 spacer through the enlarged access hole to the forward most hole in the frame on each side. Reverse fishwire (1) 7/16" carriage bolt and (1) CM-SP2 spacer through the enlarged access hole on each frame rail.
8. Raise hitch into position feeding the fishwires through the holes in the hitch. Once hitch is in place, remove fishwires and loosely fasten (2) 7/16" hex flange nuts on each side.
9. Torque all 7/16" hardware to 59 ft-lbs. Reinstall exhaust tips and raise exhaust following Step 1-2 in reverse order.

PERIODICALLY CHECK THIS RECEIVER HITCH TO ENSURE THAT ALL FASTENERS ARE TIGHT AND THAT ALL STRUCTURAL COMPONENTS ARE SOUND.

CURT Manufacturing LLC., warrants this product to be free of defects in material and/or workmanship at the time of retail purchase by the original purchaser. If the product is found to be defective, CURT Manufacturing LLC., may repair or replace the product, at their option, when the product is returned, prepaid, with proof of purchase. Alteration to, misuse of, or improper installation of this product voids the warranty. CURT Manufacturing LLC.'s liability is limited to repair or replacement of products found to be defective, and specifically excludes liability for incidental or consequential loss or damage.

This product complies with safety specifications and requirements for connecting devices and towing systems of the state of New York, V.E.S.C.Regulation V-5 and SAE J684.