

YEARS: 2010

MAKE: VOLVO

MODEL: C70

STYLE: CONVERTIBLE

**WARNING: NEVER EXCEED YOUR VEHICLE MANUFACTURER'S RECOMMENDED TOWING CAPACITY**  
 For more information log onto [www.curtmfg.com](http://www.curtmfg.com) & for helpful towing tips log onto [www.hitchinfo.com](http://www.hitchinfo.com)

**WEIGHT CARRYING:**  
 TRAILER WEIGHT: 2,000 LBS.  
 TONGUE WEIGHT: 200 LBS.

**WARNING:**  
 ALL NON-TRAILER (WHEEL-LESS) LOADS APPLIED TO THIS PRODUCT MUST BE SUPPORTED BY 18050 STABILIZING STRAPS. PLEASE SEE THE CURT CATALOG OR VISIT US ONLINE AT [WWW.CURTMFG.COM](http://WWW.CURTMFG.COM) FOR FURTHER INFORMATION.

**PRO INSTALL TIME: 20 MIN.**  
**NOVICE INSTALL TIME: 40 MIN.**

IF YOU ARE HESITANT TO UNDERTAKE THIS TASK ON YOUR OWN, CONTACT AN AUTHORIZED CURT INSTALLER FOR ADDITIONAL ASSISTANCE.

**INSTALLATION TIPS:**

- BEFORE YOU BEGIN INSTALLATION, READ ALL INSTRUCTIONS THOROUGHLY.
- TO EASE INSTALLATION, 2 PEOPLE MAY BE REQUIRED.
- USING PROPER TOOLS WILL GREATLY IMPROVE THE QUALITY OF THE INSTALL AND REDUCE THE TIME REQUIRED.
- NEED HELP OR HAVE SOME QUESTIONS? CALL TECHNICAL SUPPORT AT 877.287.8634



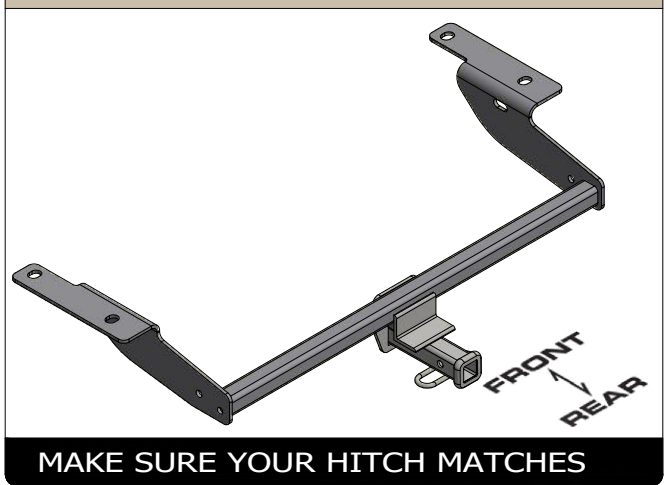
**INSTALLATION REQUIRES:**

	<b>10mm 3/4"</b>	
<b>RATCHET</b>	<b>SOCKET</b>	<b>TORQUE WRENCH</b>
<b>WIRE PIPE BRUSH</b>	<b>SAFETY GLASSES</b>	

**LEVEL OF DIFFICULTY: EASY**

EASY	MODERATE	CHALLENGING
	LOWER EXHAUST	
	WELDNUT CLEANING MAY BE REQUIRED	
	NO DRILLING REQUIRED	

**HITCH ILLUSTRATION:**



**PERIODICALLY CHECK THIS RECEIVER HITCH TO ENSURE ALL FASTENERS ARE TIGHT AND ALL STRUCTURAL COMPONENTS ARE SOUND**

CURT Manufacturing LLC. warrants this product to be free of defects in material and/or workmanship at the time of retail purchase by the original purchaser. If the product is found to be defective, CURT Manufacturing LLC. may repair or replace the product at their option, when the product is returned, prepaid, with proof of purchase. Alteration to, misuse of, or improper installation of this product voids the warranty. CURT Manufacturing LLC.'s liability is limited to repair or replacement of products found to be defective, and specifically excludes liability for incidental or consequential loss or damage.

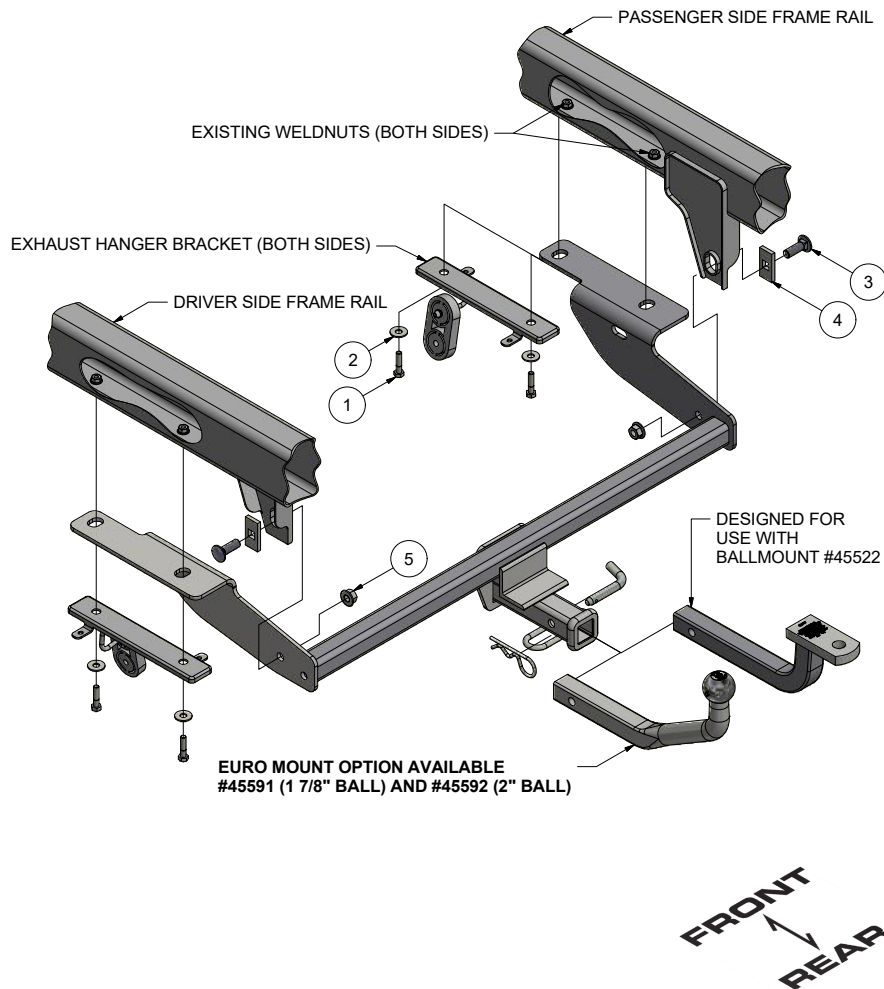
For more information log onto [www.curtmfg.com](http://www.curtmfg.com)

This product complies with safety specifications and requirements for connecting devices and towing systems of the state of New York, V.E.S.C.Regulation V-5 and SAE J684.

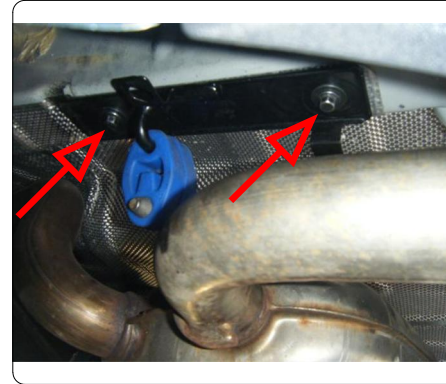
SCAN FOR MORE INFO

# INSTALLATION WALKTHROUGH:

Parts List			
ITEM	QTY	PART NUMBER	DESCRIPTION
1	4	10-10393	HHCS,M8x1.25,35,CL10.9,YZ
2	4	30-00148	WASHER,S-CON,3/8,YZ
3	2	10-10287	BOLT,CAR,1/2-13 UNC,1-1/2,GRD8,YZ
4	2	CM-SP12	.250 x 1.00 x 2.00" SQUARE HOLE SPACER
5	2	20-00062	NUT, SER-FLANGE,1/2-13 UNC,GRD8,YZ



1. Lower exhaust by removing (2) M8 fasteners from each exhaust hanger bracket. Return (4) M8 fasteners to vehicle owner.



2. Raise hitch into position. (NOTE: Hitch will be sandwiched between frame and exhaust hanger brackets)



## INSTALLATION WALKTHROUGH:

3. Loosely attach hitch to vehicle tie down brackets using the supplied 1/2" hardware and SP12 spacers, as shown.



4. Secure exhaust hanger brackets and hitch to frame using the supplied M8 fasteners and 3/8" conical tooth washers.



5. Torque all M8 fasteners to 23 ft-lbs and all 1/2" hardware to 110 ft-lbs.



6. Install is complete.



# 11065

# VOLVO C70

9/15/2020

GROSS LOAD CAPACITY WHEN USED AS A WEIGHT CARRYING HITCH: 2,000 LBS. TRAILER WEIGHT & 200 LBS. TONGUE WEIGHT.

**\*\*\*DO NOT EXCEED VEHICLE MANUFACTURER'S RECOMMENDED TOWING CAPACITY.\*\*\***

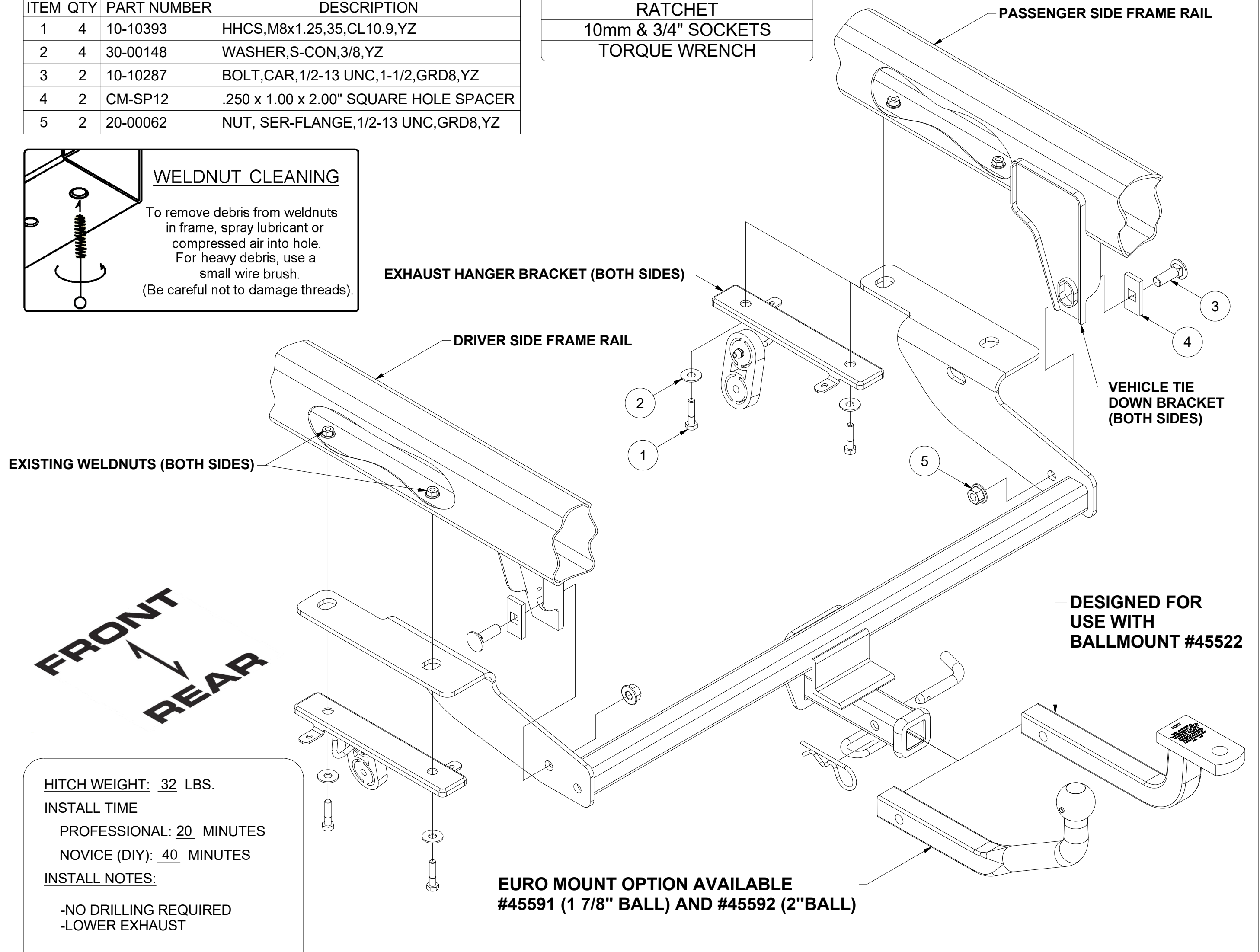
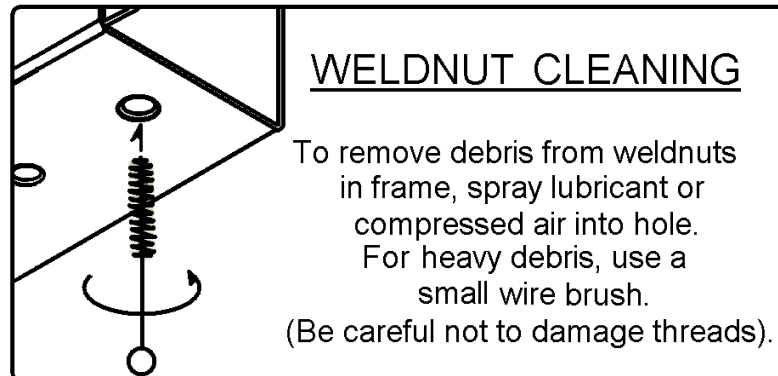
**WARNING: ALL NON-TRAILER LOADS APPLIED TO THIS PRODUCT MUST BE SUPPORTED BY 18050 STABILIZING STRAPS.**

**\*\* FAILURE TO PROPERLY SUPPORT NON-TRAILER LOADS WILL VOID PRODUCT WARRANTY\*\***

HAVING INSTALLATION QUESTIONS? CALL TECHNICAL SUPPORT AT 877-287-8634

Parts List				
ITEM	QTY	PART NUMBER	DESCRIPTION	
1	4	10-10393	HHCS, M8x1.25, 35, CL10.9, YZ	
2	4	30-00148	WASHER, S-CON, 3/8, YZ	
3	2	10-10287	BOLT, CAR, 1/2-13 UNC, 1-1/2, GRD8, YZ	
4	2	CM-SP12	.250 x 1.00 x 2.00" SQUARE HOLE SPACER	
5	2	20-00062	NUT, SER-FLANGE, 1/2-13 UNC, GRD8, YZ	

TOOLS REQUIRED
RATCHET
10mm & 3/4" SOCKETS
TORQUE WRENCH



HITCH WEIGHT: 32 LBS.  
INSTALL TIME  
PROFESSIONAL: 20 MINUTES  
NOVICE (DIY): 40 MINUTES  
INSTALL NOTES:  
-NO DRILLING REQUIRED  
-LOWER EXHAUST

## INSTALLATION STEPS

1. Lower exhaust by removing (2) M8 fasteners from each exhaust hanger bracket. Return (4) M8 fasteners to vehicle owner.
2. Raise hitch into position and loosely attach it to vehicle tie down brackets using the supplied 1/2" hardware and SP12 spacers, as shown above. (NOTE: Hitch will be sandwiched between frame and exhaust hanger brackets)
3. Secure exhaust hanger brackets and hitch to frame using the supplied M8 fasteners and 3/8" conical tooth washers.
4. Torque all M8 fasteners to 24 ft-lbs and all 1/2" hardware to 110 ft-lbs.

**PERIODICALLY CHECK THIS RECEIVER HITCH TO ENSURE THAT ALL FASTENERS ARE TIGHT AND THAT ALL STRUCTURAL COMPONENTS ARE SOUND.**

Curt Manufacturing Inc., warrants this product to be free of defects in material and/or workmanship at the time of retail purchase by the original purchaser. If the product is found to be defective, Curt Manufacturing Inc., may repair or replace the product, at their option, when the product is returned, prepaid, with proof of purchase. Alteration to, misuse of, or improper installation of this product voids the warranty. Curt Manufacturing Inc.'s liability is limited to repair or replacement of products found to be defective, and specifically excludes liability for incidental or consequential loss or damage.