

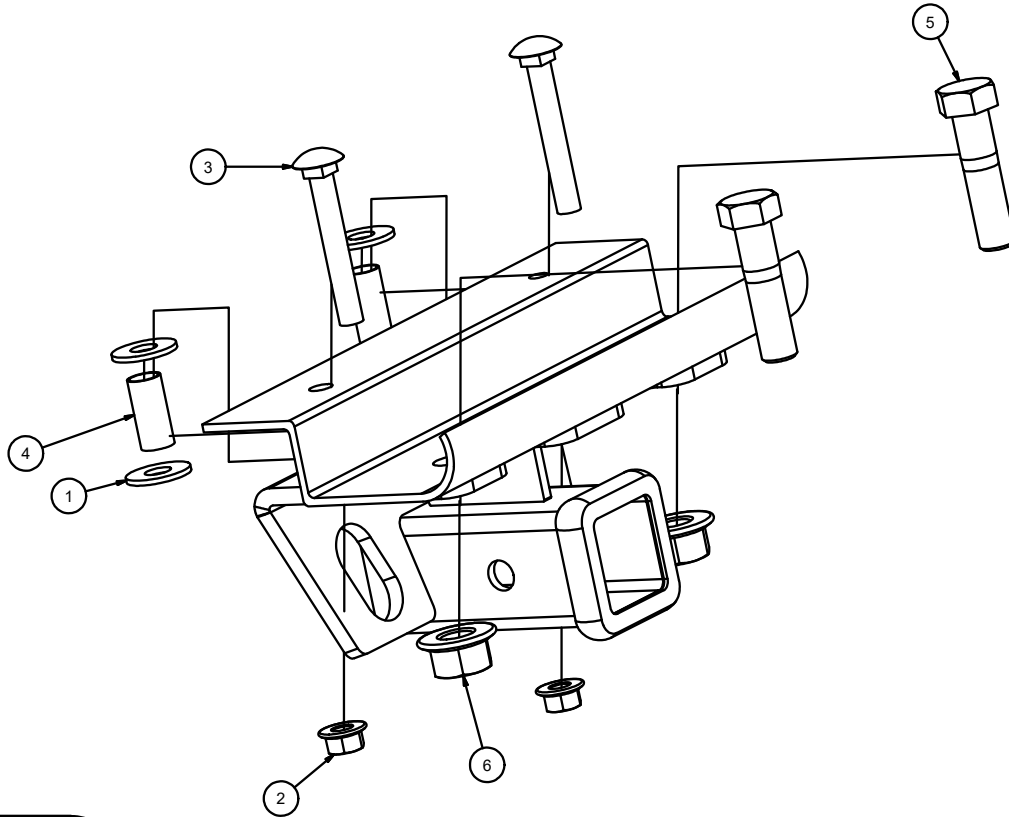
19050

DODGE BUMPER HITCH

3/2/2021

GROSS LOAD CAPACITY WHEN USED AS A WEIGHT CARRYING HITCH: 4,000 LBS. TRAILER WEIGHT & 400 LBS. TONGUE WEIGHT.
DO NOT EXCEED VEHICLE MANUFACTURER'S RECOMMENDED TOWING CAPACITY.

Parts List				
ITEM	QTY	PART NUMBER	DESCRIPTION	
1	4	30-00133	WASHER,FLAT,1/2,YZ	
2	2	20-00062	NUT, SER-FLANGE,1/2-13 UNC,GRD8,YZ	
3	2	10-10556	BOLT,CAR,1/2-13 UNC,3-1/2,GRD8,YZ	
4	2	19050-TS	TUBE SPACER	
5	2	10-10557	HHCS,3/4-10 UNC,3,GRD8,YZ	
6	2	20-00106	NUT,SER-FLANGE,3/4-10 UNC,GRD8,YZ	



HITCH WEIGHT: 12.5 LBS.

INSTALL TIME: 15 MINUTES

INSTALL NOTES:

**NO DRILLING
REQUIRED**

INSTALLATION STEPS

- 1) Position curt hitch to the under side of the bumper
- 2) Align all 1/2" and 3/4" holes in the hitch with holes in the Dodge factory bumper.
- 3) Securely fasten hitch into place using the bolts and flange nuts provided

-NOTE- Be sure to use the 1 1/2" spacer as needed.

Torque all fasteners to the following specifications. (1/2" = 110 lb-ft) (3/4" = 300 lb-ft)

**PERIODICALLY CHECK THIS RECEIVER HITCH TO ENSURE THAT ALL FASTENERS
ARE TIGHT AND THAT ALL STRUCTURAL COMPONENTS ARE SOUND.**

Curt Manufacturing Inc., warrants this product to be free of defects in material and/or workmanship at the time of retail purchase by the original purchaser. If the product is found to be defective, Curt Manufacturing Inc., may repair or replace the product, at their option, when the product is returned, prepaid, with proof of purchase. Alteration to, misuse of, or improper installation of this product voids the warranty. Curt Manufacturing Inc.'s liability is limited to repair or replacement of products found to be defective, and specifically excludes liability for incidental or consequential loss or damage.