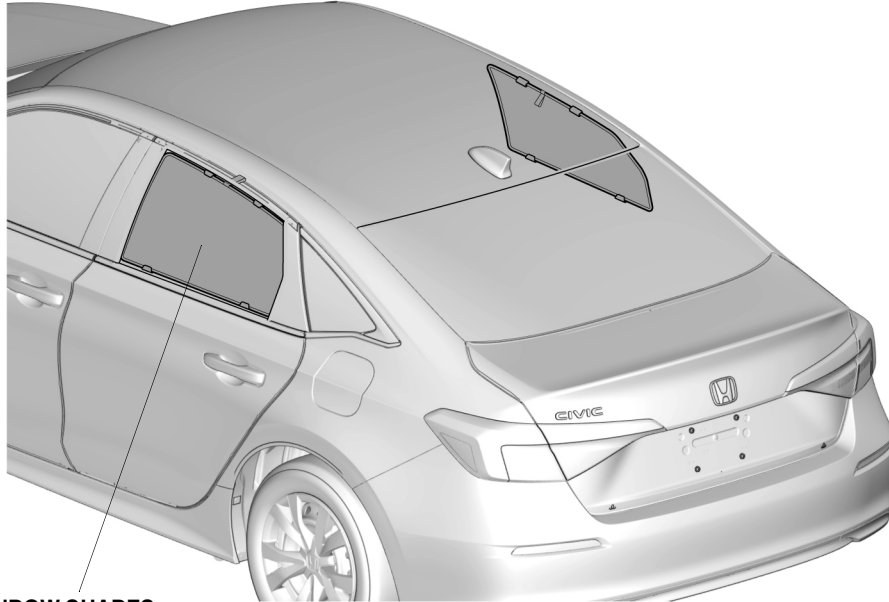


## GENERAL VIEW



2 WINDOW SHADES

QK40301AJ

## FOR YOUR SAFETY (Read carefully.)

### Warning Symbols

Safety: Your safety, and the safety of others, is important. To help you make informed decisions about service procedures, we have provided safety messages where appropriate. Of course, it is not practical or possible to warn you about all the hazards associated with servicing a vehicle - you must use your own good judgment.

You will find important safety messages preceded by one of following symbols:

\*All symbols are not used in all installation instructions.

**⚠ DANGER**

You will be killed or seriously hurt if you do not follow the instructions.

**⚠ WARNING**

You can be killed or seriously hurt if you do not follow the instructions.

**⚠ CAUTION**

You can be hurt if you do not follow the instructions.

**NOTICE**

Gives advice to prevent damage to the product, vehicle, the environment or other property.

**NOTE**

Gives helpful information or instructions to be followed when installing this product.

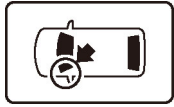


Indicates a prohibited action.

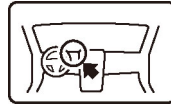
## Procedure and Location Icons

These icons indicate the work location and the worker's point of view.

\*All icons are not used in all installation instructions.



The location on the vehicle.



The location in the vehicle.  
(instrument panel.)



Wear eye protection.



Wear heavy gloves.



Use an assistant.



Place the part on a blanket.



Work perpendicular.



Remove any burrs.



Use touch-up paint and allow to dry.



Tighten to the specified torque.



Apply firm pressure while rolling, especially at the ends, to set the adhesive.



Press firmly.



Clean with isopropyl alcohol.



Return the original part to the customer.  
(Do not reuse.)

## Safety: General

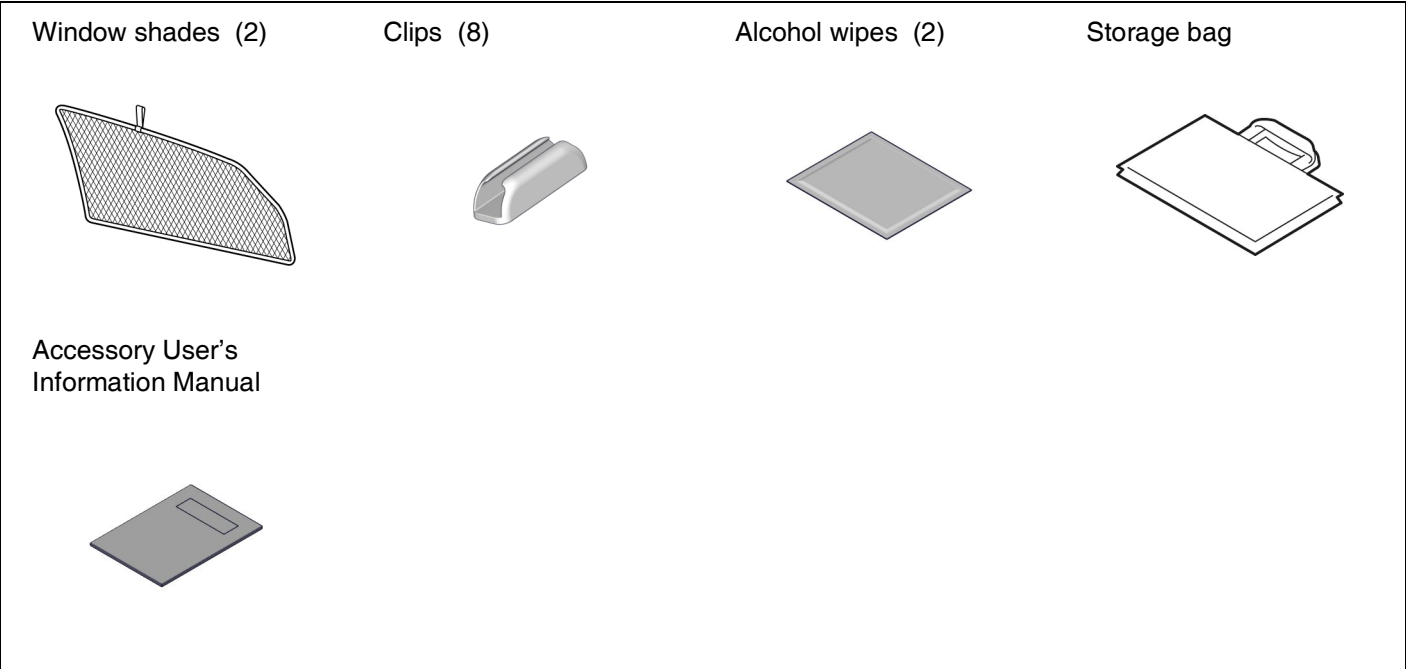
- Be careful not to damage the vehicle or the parts.
- The illustrations may differ slightly from the actual accessory.

## Safety: Accessory

- Always use the parts and tools specified in the installation instructions.
- Do not install the accessory on a dirty surface or in direct sunlight.
- Make sure the ambient air temperature is 60°F (15°C) or above when installing accessories that use adhesive material.
- When pressing the accessory firmly with the palm of your hand, be careful not to damage it or the vehicle.
- When applying adhesive material, make sure it is lined up properly before attaching. Once the adhesive material touches the surface, do not try to remove it. If you do, you could damage the part.
- Do not wash the vehicle or moisten it for 24 hours to allow the adhesive to cure.

# PARTS LIST

## Rear Passenger Window Shade Kit (P/N 08R13-T20-100)

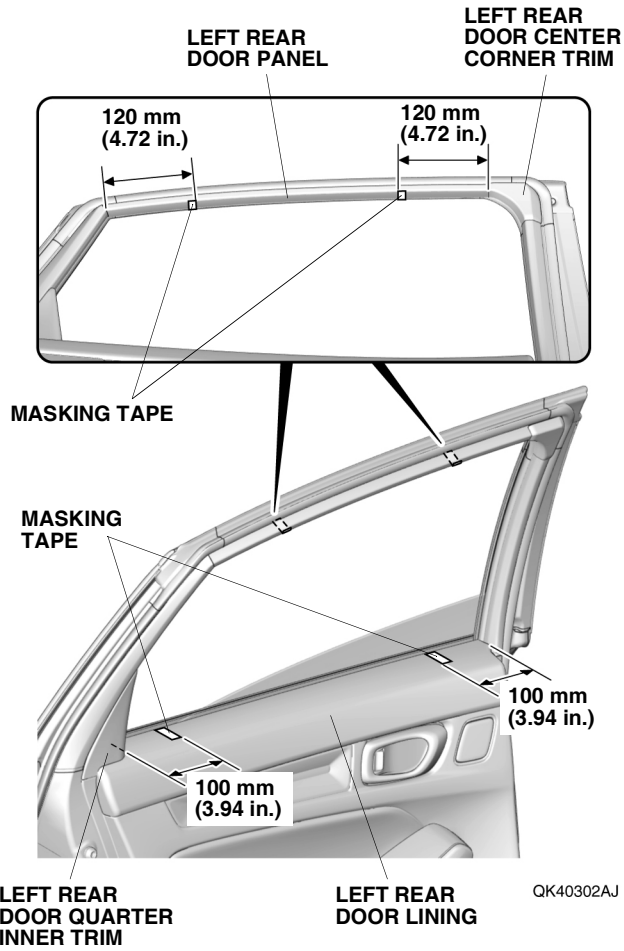
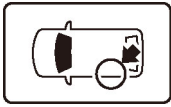


## REQUIRED TOOLS AND SUPPLIES

- Masking tape
- Ruler

# INSTALLATION

1. Fully open the left and right rear door glass.

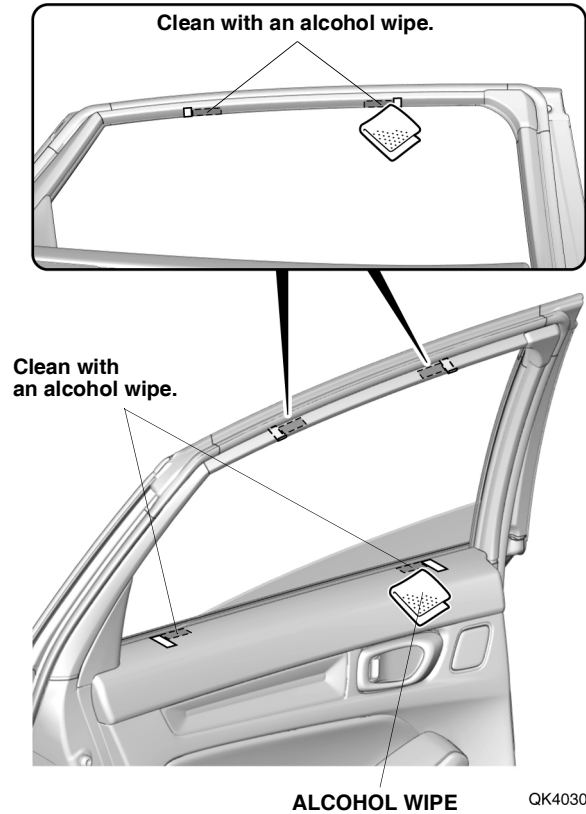


2. Attach the masking tape.

3. Clean the left rear door panel and the left rear door lining.

## NOTE

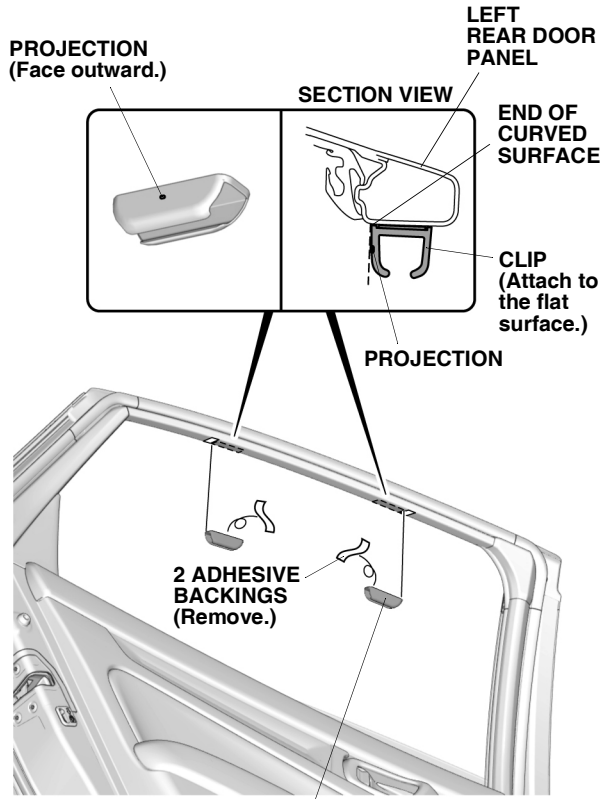
Allow to dry thoroughly.



4. Attach the clips.

**NOTE**

Press and hold each clip in place for 30 seconds to set the adhesive.



2 CLIPS  
(Line up with  
masking tape.)

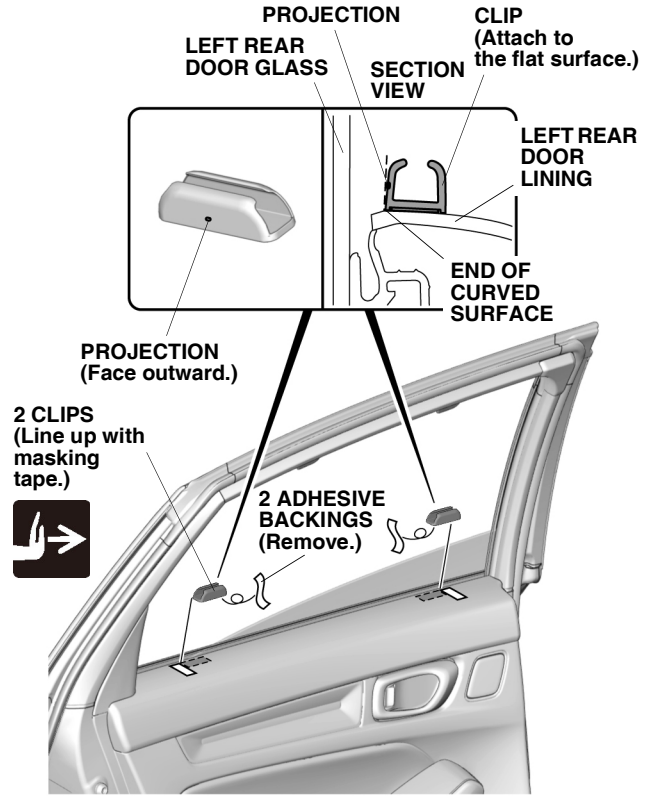
QK40304AJ



5. Attach the clips.

**NOTE**

Press and hold each clip in place for 30 seconds to set the adhesive.



2 CLIPS  
(Line up with  
masking tape.)

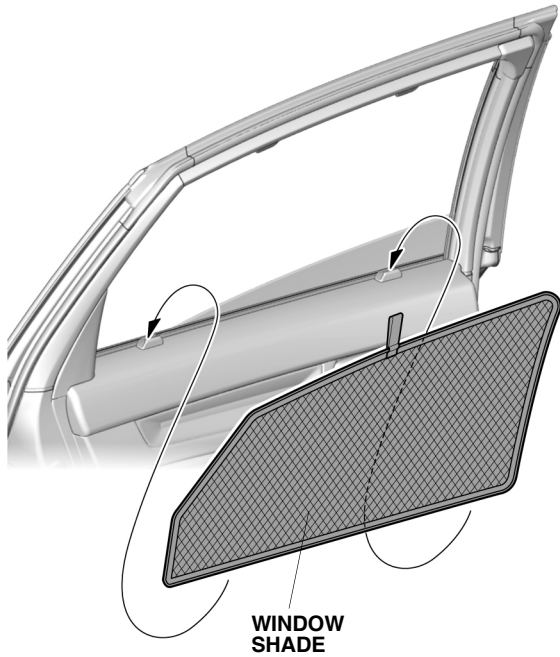


2 ADHESIVE  
BACKINGS  
(Remove.)

QK40305AJ

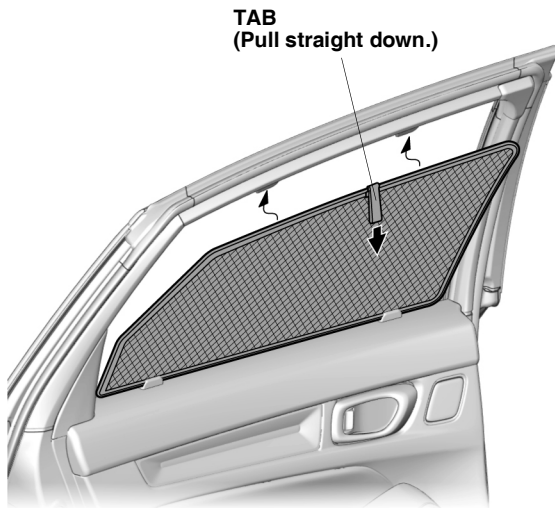
6. Remove the masking tape.

7. Install the window shade.



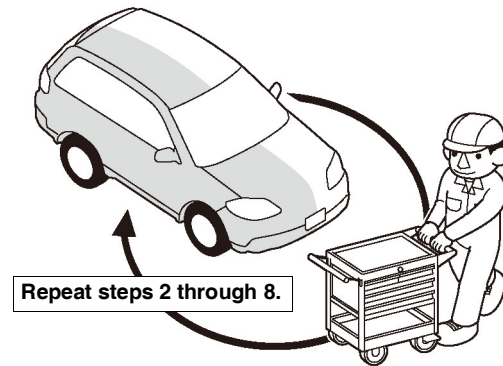
QK40306AJ

8. Install the window shade.



QK40307AJ

9. Repeat the same procedures on the other side.



Q9D1014AM

10. Check that all parts are installed properly.  
11. Give the Accessory User's Information Manual to the customer.