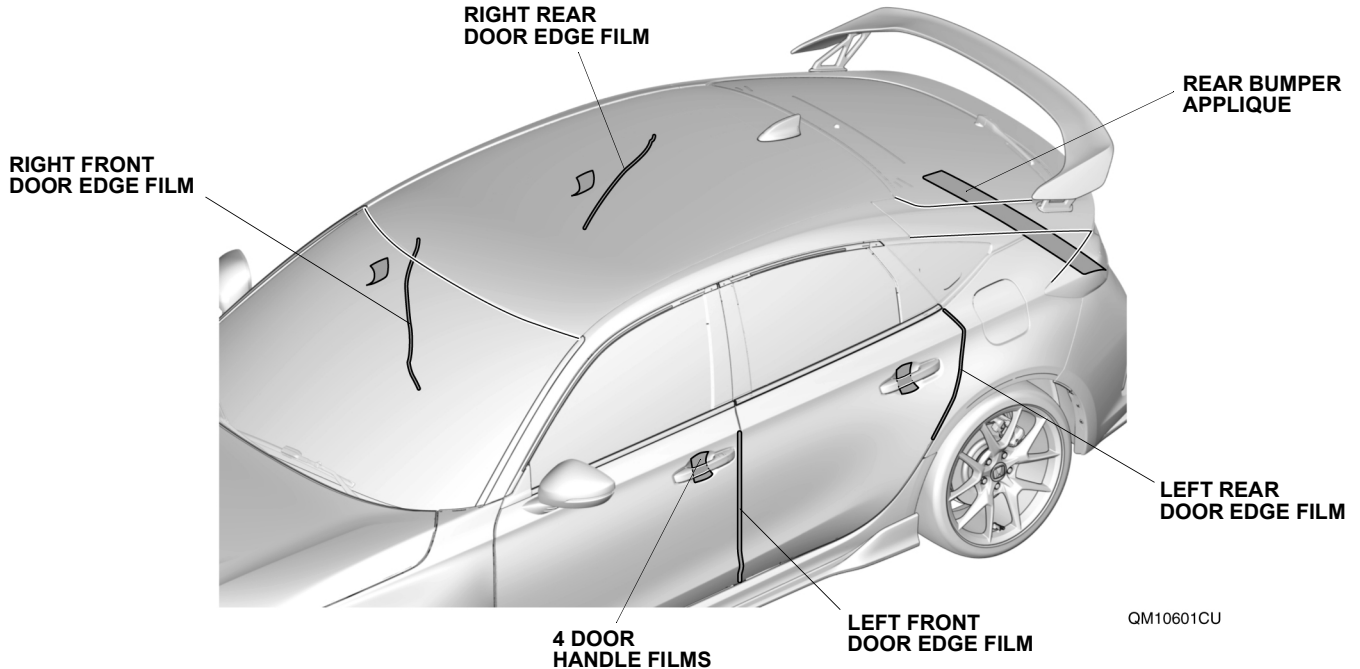




INSTALLATION INSTRUCTIONS

Accessory PROTECTION FILM	Application 2023 CIVIC TYPE R MODEL SERIES	Publications No. VERSION 1
		Issue Date OCT 2022

GENERAL VIEW



FOR YOUR SAFETY (Read carefully.)

Warning Symbols

Safety: Your safety, and the safety of others, is important. To help you make informed decisions about service procedures, we have provided safety messages where appropriate. Of course, it is not practical or possible to warn you about all the hazards associated with servicing a vehicle - you must use your own good judgment.

You will find important safety messages preceded by one of the following symbols:

*All symbols are not used in all installation instructions.

⚠ DANGER

You will be killed or seriously hurt if you do not follow the instructions.

⚠ WARNING

You can be killed or seriously hurt if you do not follow the instructions.

⚠ CAUTION

You can be hurt if you do not follow the instructions.

NOTICE

Gives advice to prevent damage to the product, vehicle, the environment or other property.

NOTE

Gives helpful information or instructions to be followed when installing this product.

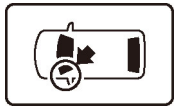


Indicates a prohibited action.

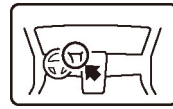
Procedure and Location Icons

These icons indicate the work location and the worker's point of view.

*All icons are not used in all installation instructions.



The location on the vehicle.



The location in the vehicle.
(Instrument panel.)



Wear eye protection.



Wear heavy gloves.



Use an assistant.



Place the part on a blanket.



Work perpendicular.



Remove any burrs.



Use touch-up paint and allow to dry.



Tighten to the specified torque.



Apply firm pressure while rolling, especially at the ends, to set the adhesive.



Press firmly.



Clean with isopropyl alcohol.



Return the original part to the customer.
(Do not reuse.)

Safety: General

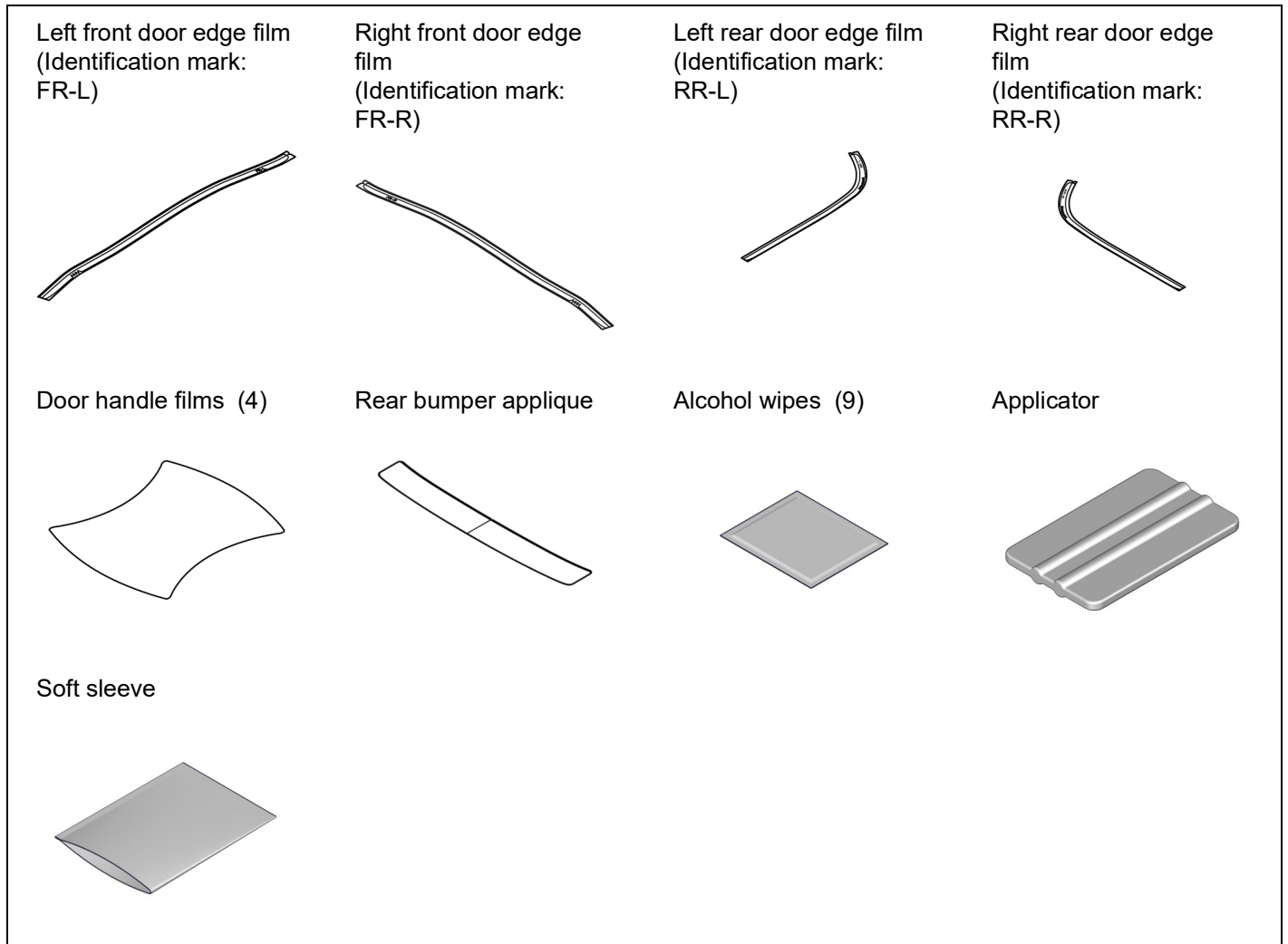
- Be careful not to damage the vehicle or the parts.
- The illustrations may differ slightly from the actual accessory.

Safety: Accessory

- Always use the parts and tools specified in the installation instructions.
- Do not install the accessory on a dirty surface or in direct sunlight.
- Make sure the ambient air temperature is 60°F (15°C) or above when installing accessories that use adhesive material.
- When applying adhesive material, make sure it is lined up properly before attaching. Once the adhesive material touches the surface, do not try to remove it. If you do, you could damage the part.
- Cover nearby parts with a shop towel to prevent getting them wet.
- Always wear gloves when working with 3M Protective tape application solution.
- Use 3M protective tape application solution with a spray bottle.
- Do not wash the vehicle for 24 hours to allow the adhesive to cure.

PARTS LIST

Protection Film Kit (P/N 08P48-T60-100)



REQUIRED TOOLS AND SUPPLIES

- Shop towel
- Masking tape
- Spray bottle
- Felt-tip pen
- Gloves
- Ruler

The following tools are available through the Honda Tool and Equipment Program:

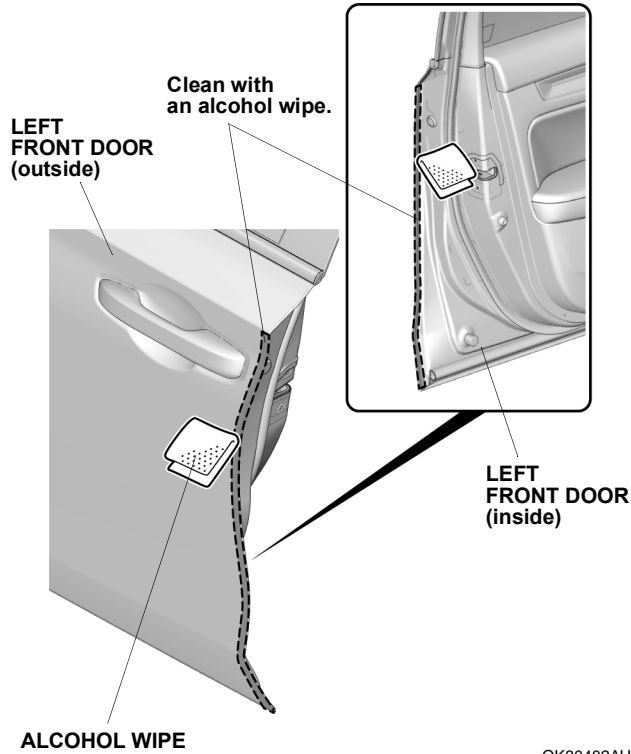
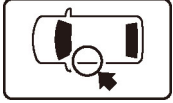
- 3M Protective tape application solution (P/N: 08712-0008)
- Mini Soft Spreader/Applicator (T/N SBSA2302Y5PK)

INSTALLATION

1. Clean the attaching area.

NOTE

Allow to dry thoroughly.



QK30402AU

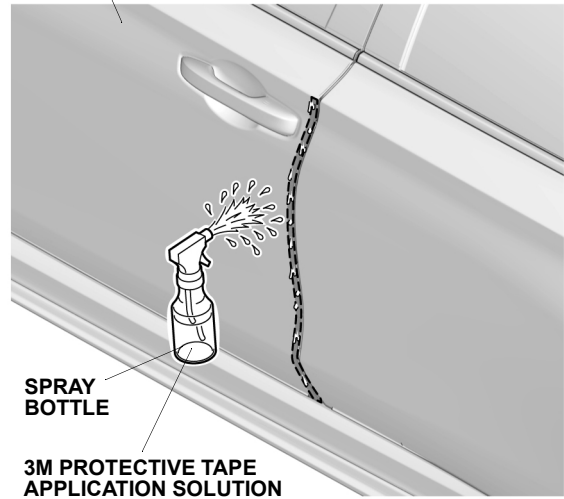
2. Spray the left front door.

NOTE

Spray the outer surface of the door only.



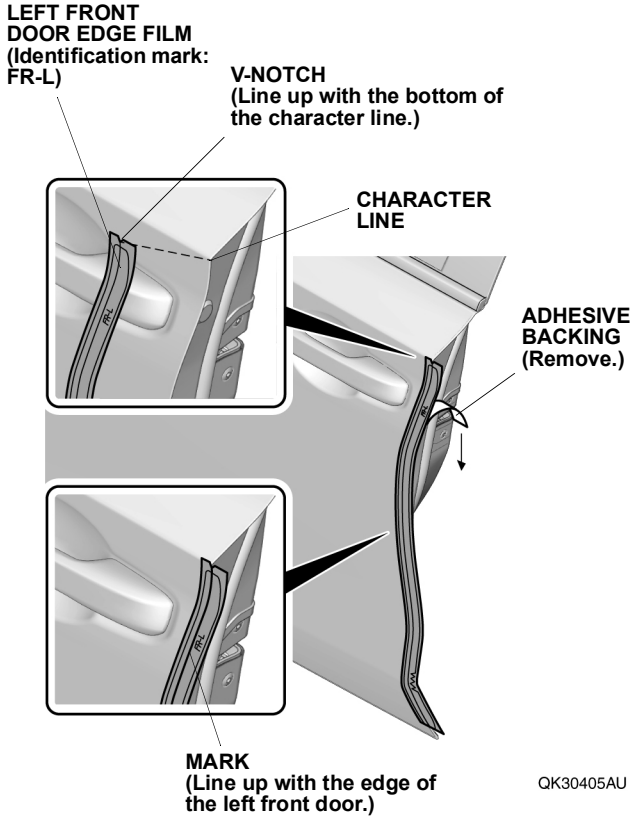
LEFT FRONT DOOR (outside)



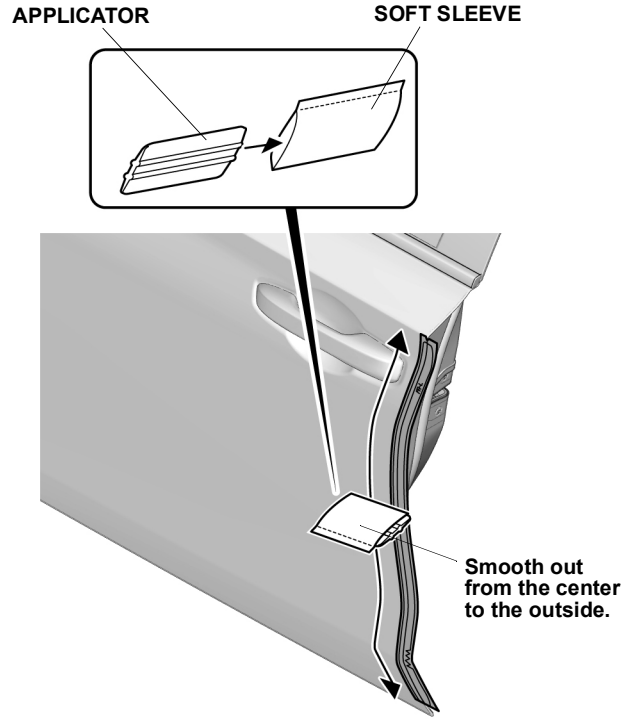
QM10603AU

3. Attach the left front door edge film.

NOTE
Make sure to check the identification mark before installation.



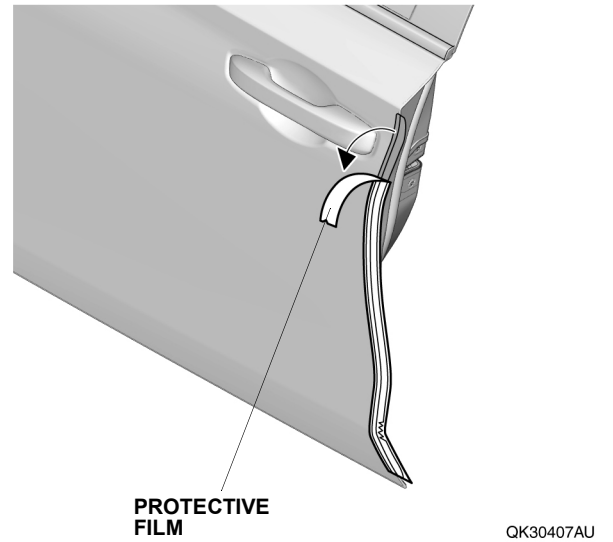
4. Insert the applicator.



5. Secure the left front door edge film.

NOTE
Make sure that there are no air bubbles.

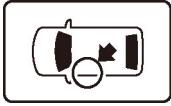
6. Remove the protective film.



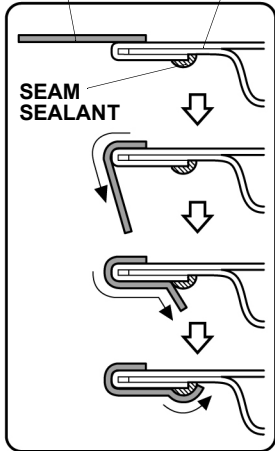
7. Secure the left front door edge film.

NOTE

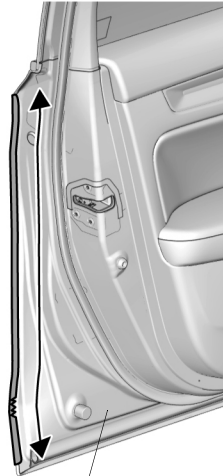
- Do not trim or damage the seam sealant.
- Make sure to prevent air from entering.



LEFT FRONT DOOR
EDGE FILM LEFT FRONT DOOR



SECTION VIEW

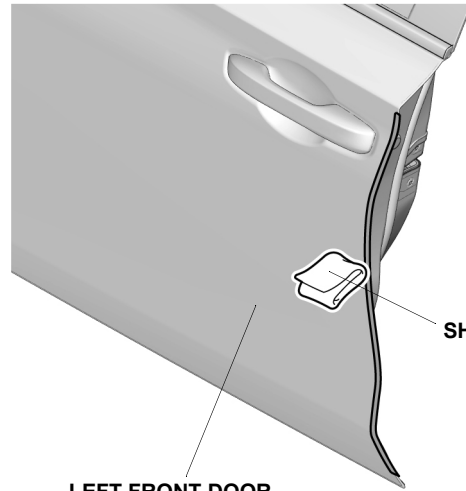
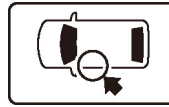


LEFT FRONT DOOR (inside) QK30408AU

8. Wipe off the 3M protective tape application solution.

NOTE

Allow to dry thoroughly.



LEFT FRONT DOOR (outside)

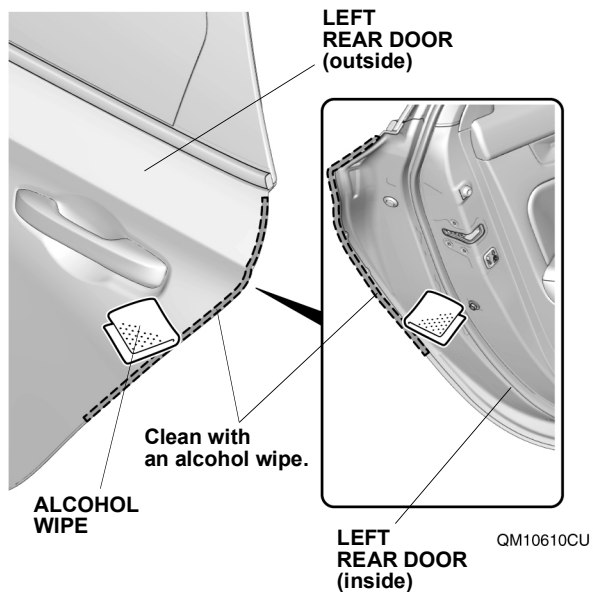
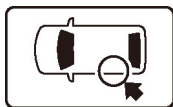
SHOP TOWEL

QK30409AU

9. Clean the attaching area.

NOTE

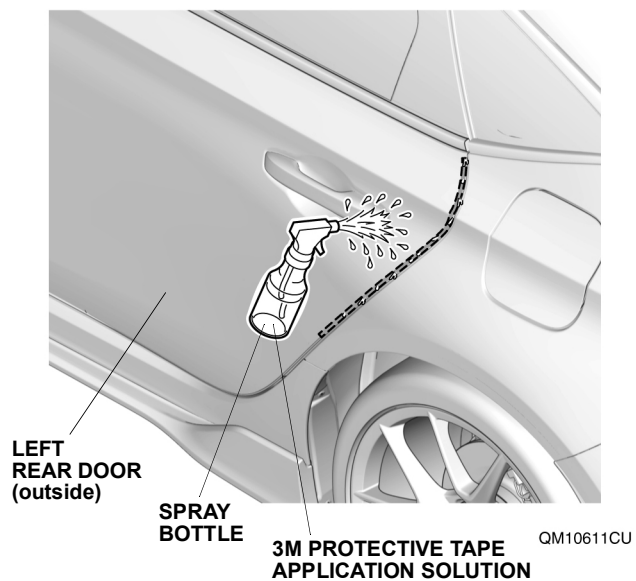
Allow to dry thoroughly.



10. Spray the left rear door.

NOTE

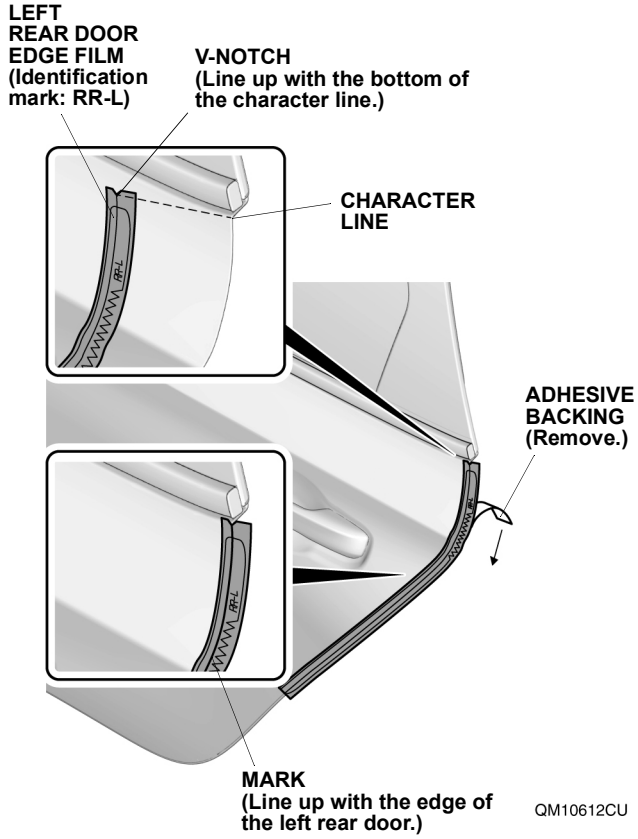
Spray the outer surface of the door only.



11. Attach the left rear door edge film.

NOTE

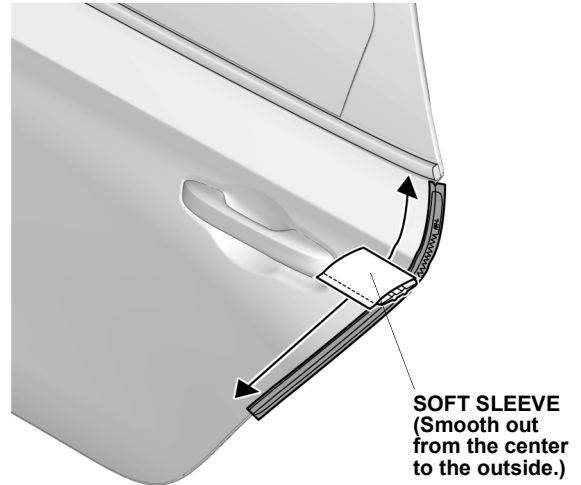
Make sure to check the identification mark before installation.



12. Secure the left rear door edge film.

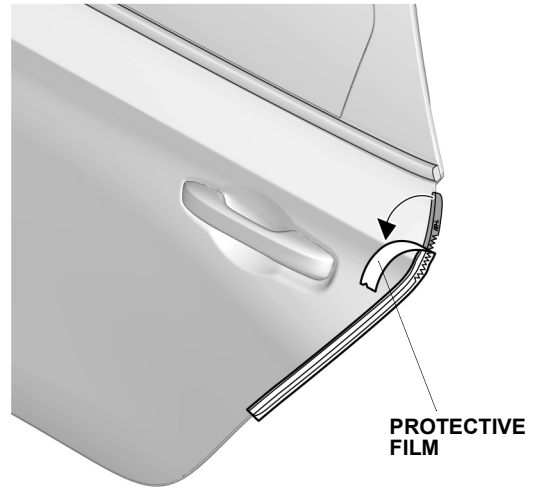
NOTE

Make sure that there are no air bubbles.



QM10613CU

13. Remove the protective film.

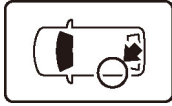


QM10614CU

14. Secure the left rear door edge film.

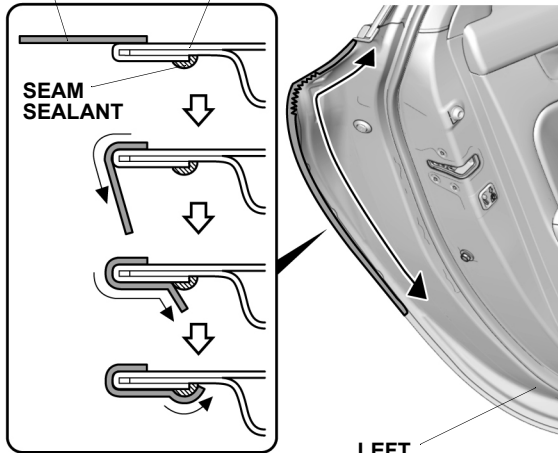
NOTE

- Do not trim or damage the seam sealant.
- Make sure to prevent air from entering.



LEFT REAR DOOR EDGE FILM

LEFT REAR DOOR



SEAM SEALANT

SECTION VIEW

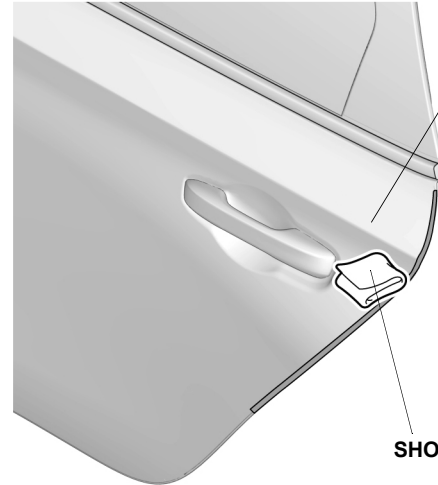
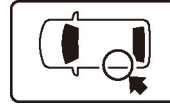
LEFT REAR DOOR (inside)

QM10615AU

15. Wipe off the 3M protective tape application solution.

NOTE

Allow to dry thoroughly.

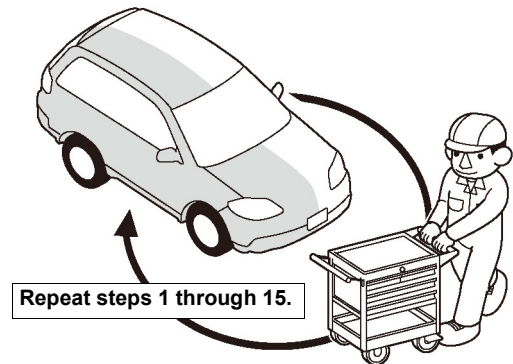


LEFT REAR DOOR (outside)

SHOP TOWEL

QM10616CU

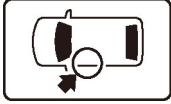
16. Repeat the same procedures on the other side.



Repeat steps 1 through 15.

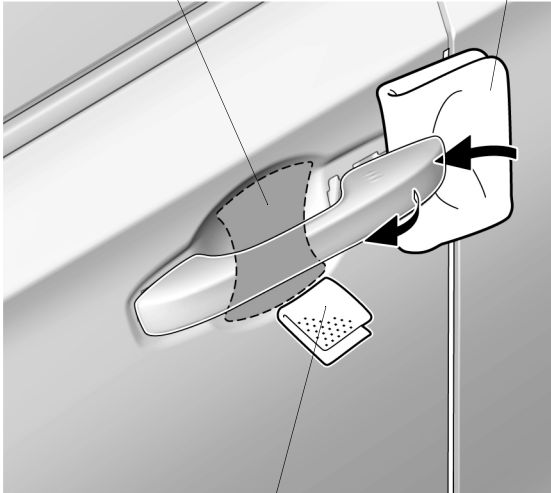
Q9D1014AM

17. Insert the shop towel.



LEFT FRONT DOOR
(Clean with
an alcohol wipe.)

SHOP TOWEL



ALCOHOL WIPE

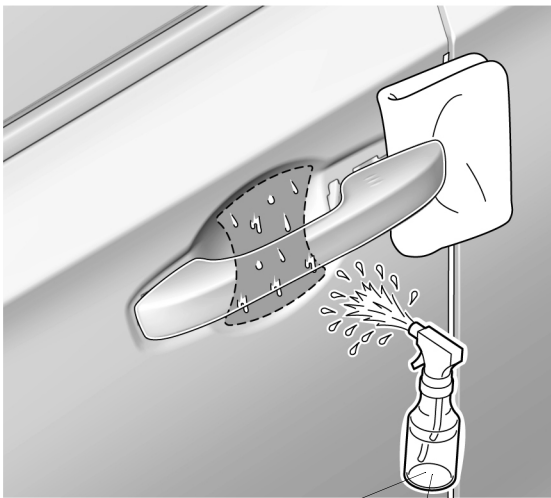
QM10617AU

18. Clean the left front door.

NOTE

Allow to dry thoroughly.

19. Spray the left front door.



3M PROTECTIVE TAPE
APPLICATION SOLUTION

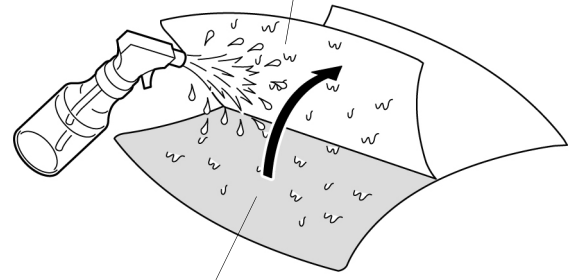
SPRAY BOTTLE

QM10618AU

20. Remove the adhesive backing.



ADHESIVE BACKING
(Remove.)



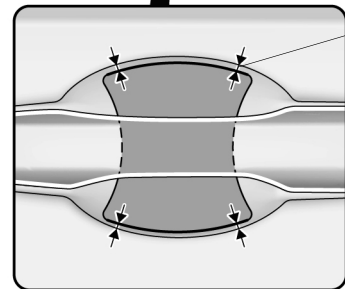
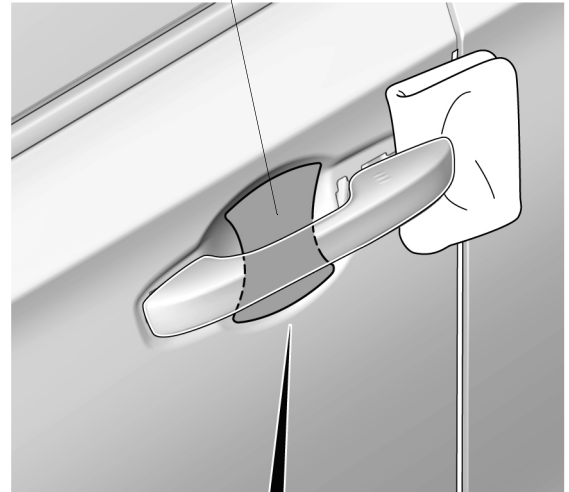
DOOR HANDLE FILM

QK30504BU

21. Spray the door handle film.

22. Line up the door handle film.

DOOR HANDLE FILM

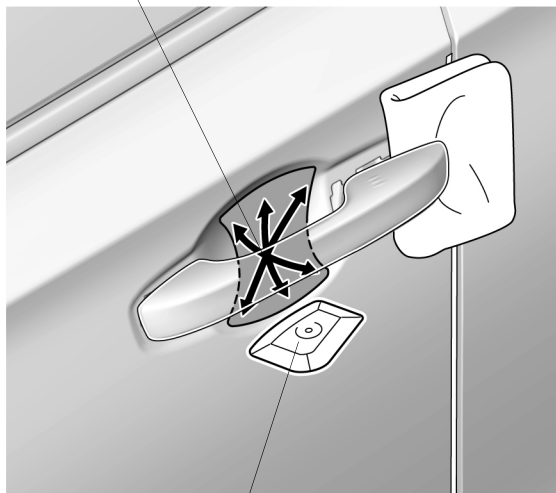


Equal spacing.

QM10619AU

23. Secure the door handle film.

Work from the center
to the outside.



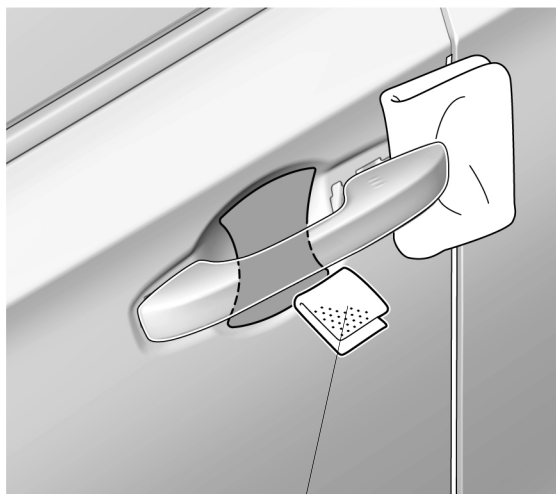
**MINI SOFT
SPREADER/APPLICATOR**

QM10620AU

24. Wipe off the 3M protective tape application solution.

NOTE

Allow to dry thoroughly.



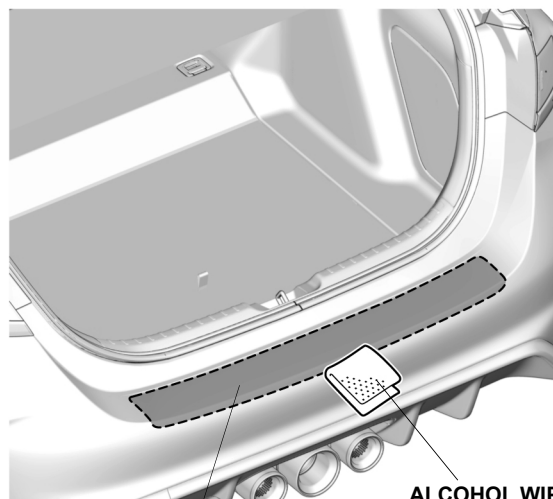
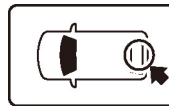
SHOP TOWEL

QM10621AU

25. Remove the shop towel.

26. Repeat steps 17 through 25 on the other doors.

27. Open the trunk lid.



REAR BUMPER
(Clean with
an alcohol wipe.)

ALCOHOL WIPE

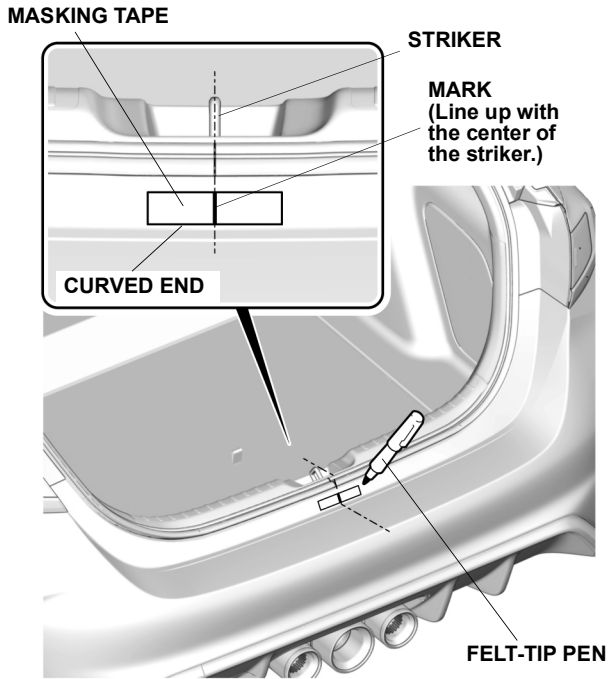
QM10628AU

28. Clean the rear bumper.

NOTE

Allow to dry thoroughly.

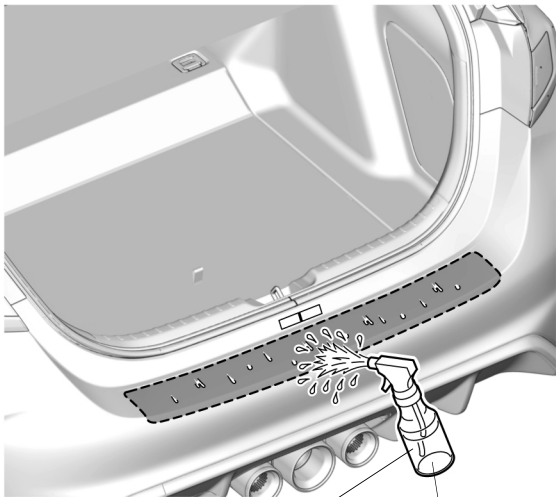
29. Attach the masking tape.



QM10629AU

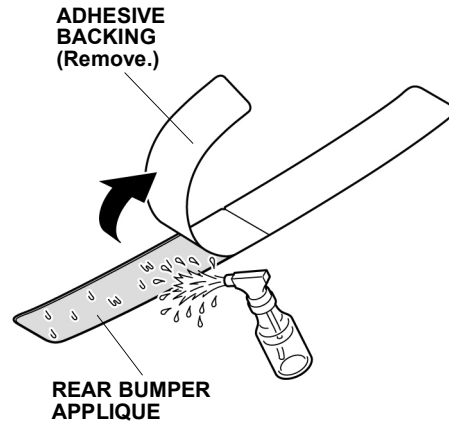
30. Mark the masking tape.

31. Spray the rear bumper.



QM10630AU

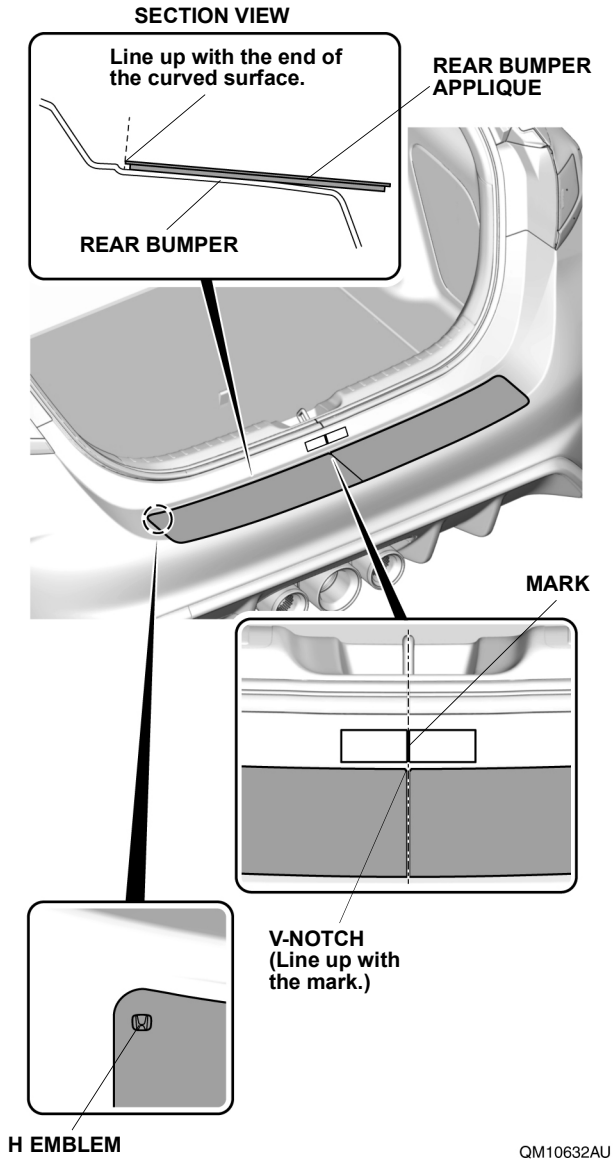
32. Remove the adhesive backing.



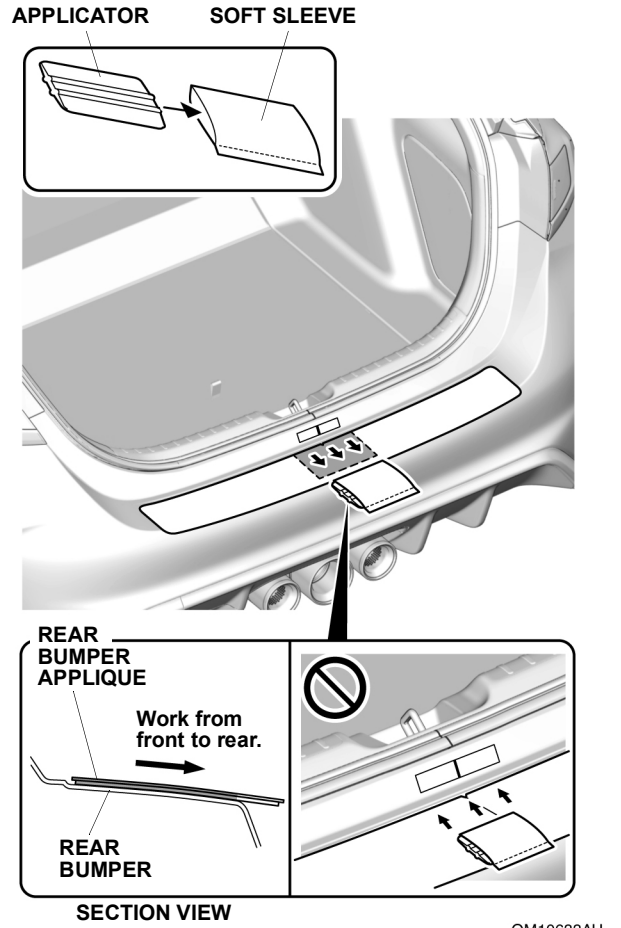
QM10631AU

33. Spray the rear bumper applique.

34. Line up the rear bumper applique.

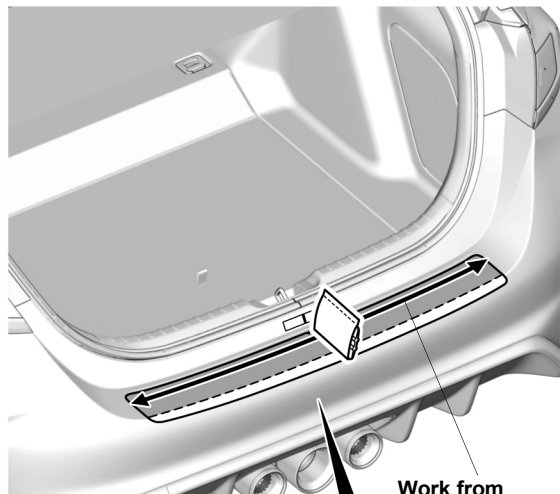


35. Insert the applicator.

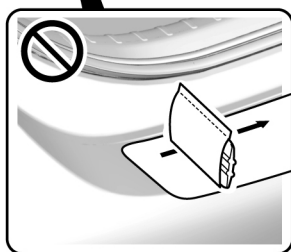


36. Secure the rear bumper applique.

37. Secure the rear bumper applique.



Work from center to outside.

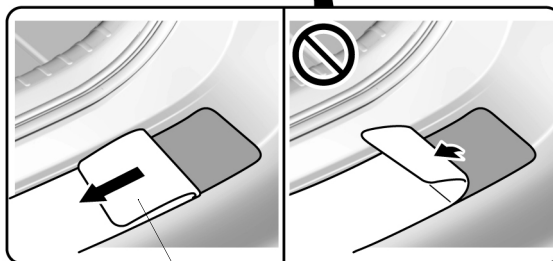
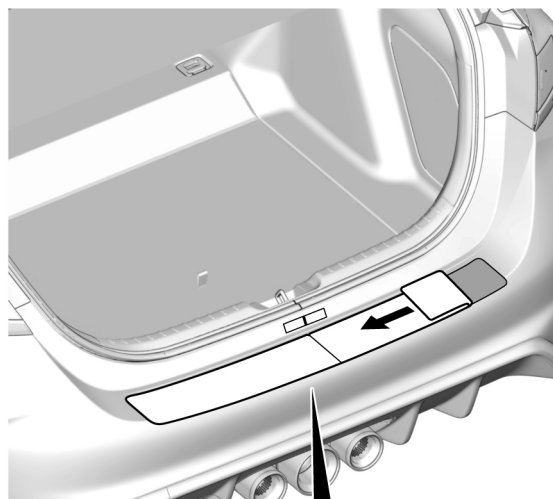


QM10634AU

38. Remove the protective film.

NOTE

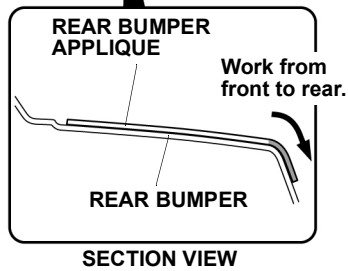
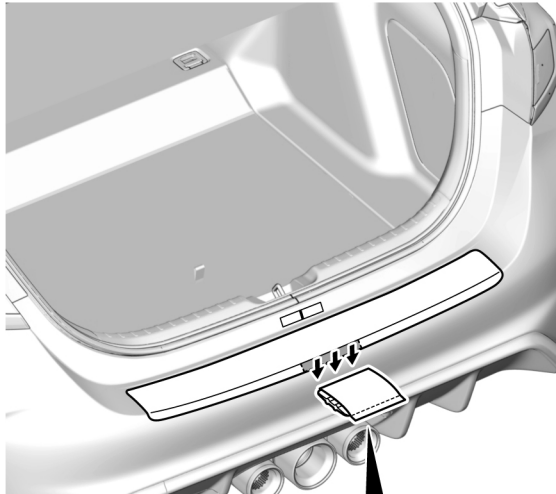
Do not pull up on the protective film.



PROTECTIVE FILM

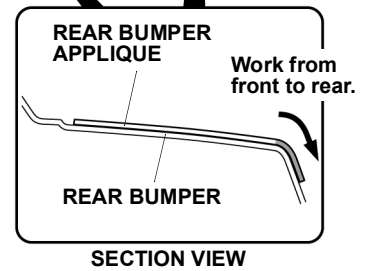
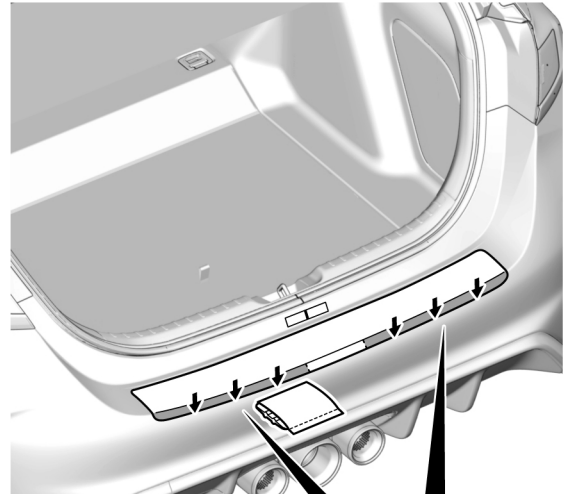
QM10635AU

39. Secure the rear bumper applique.



QM10636AU

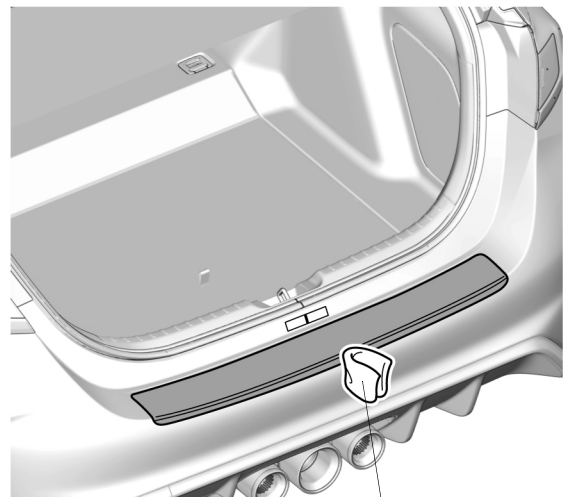
40. Secure the rear bumper applique.



QM10637AU

41. Wipe off the 3M protective tape application solution.

NOTE
Allow to dry thoroughly.



SHOP TOWEL QM10638BU

- 42. Remove the masking tape.
- 43. Check that all parts are installed properly.