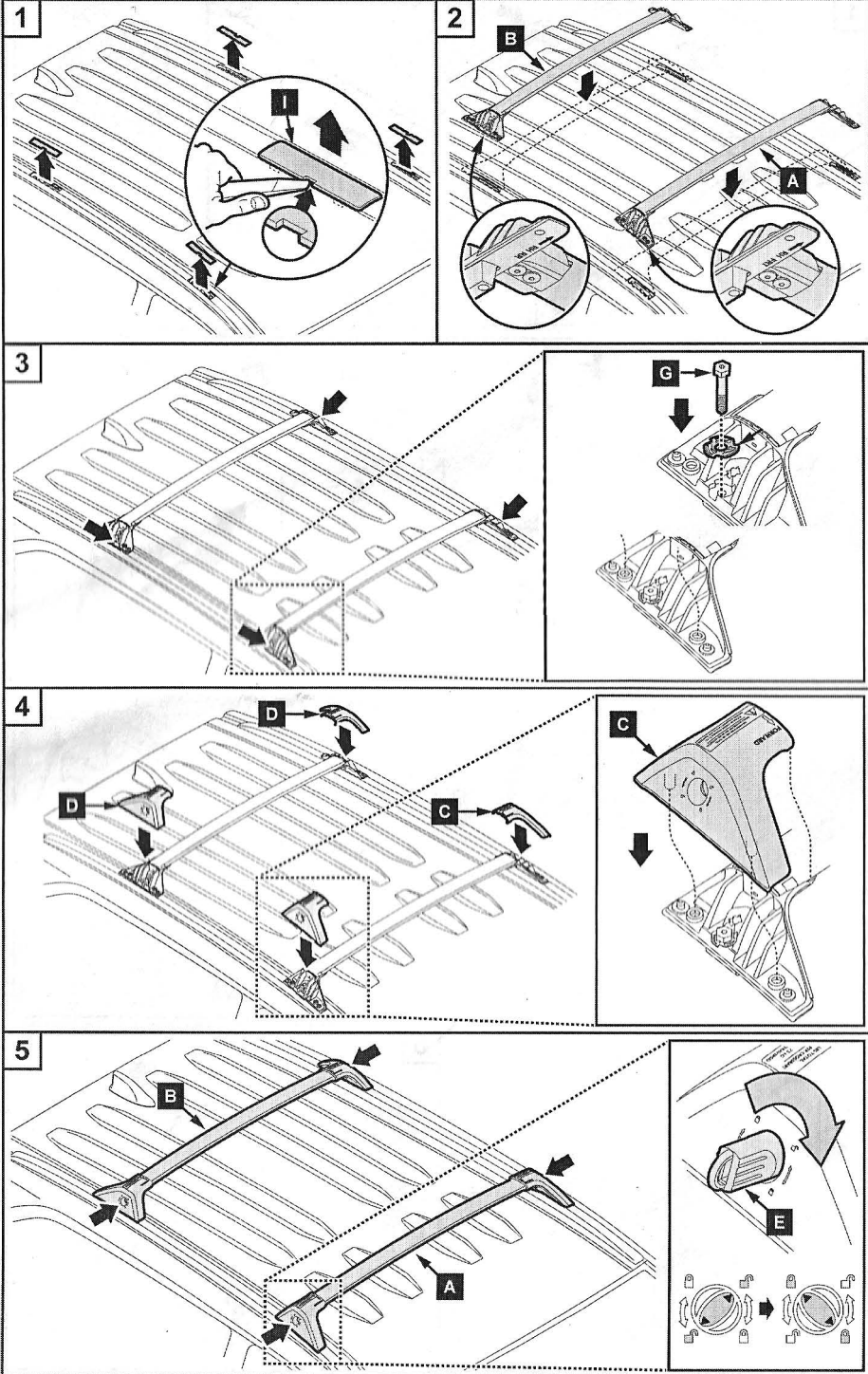
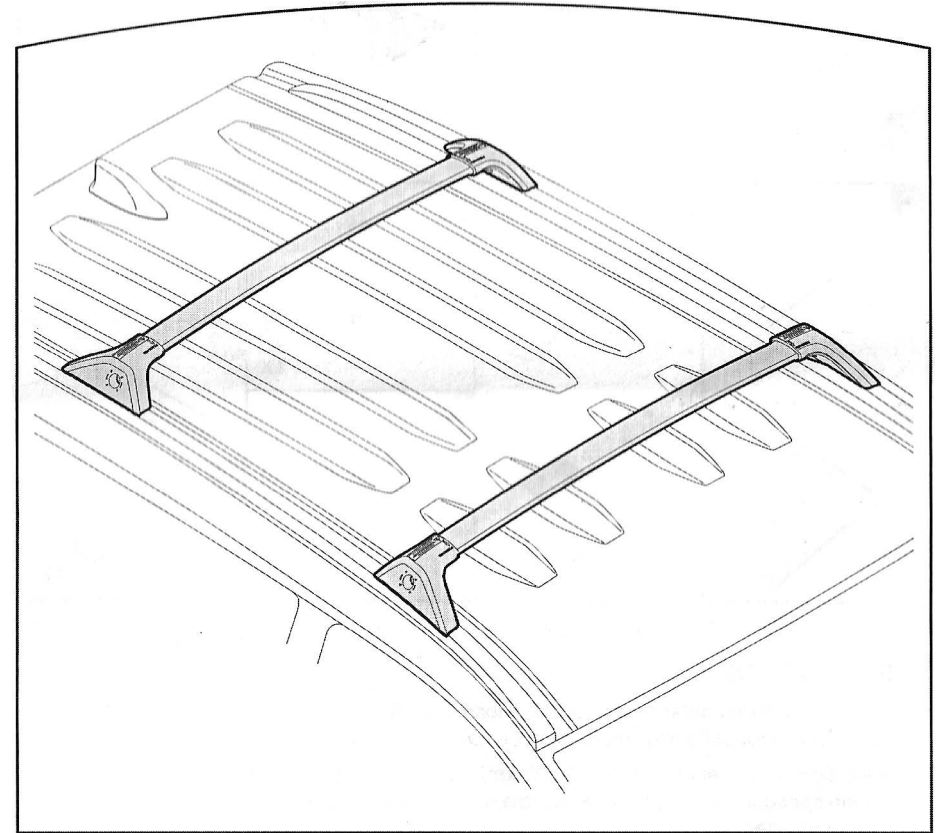


Crossbar Re-installation



INSTALLATION MANUAL OF CROSS BAR FOR 2019+ RAV4 fitting for flush roof rails

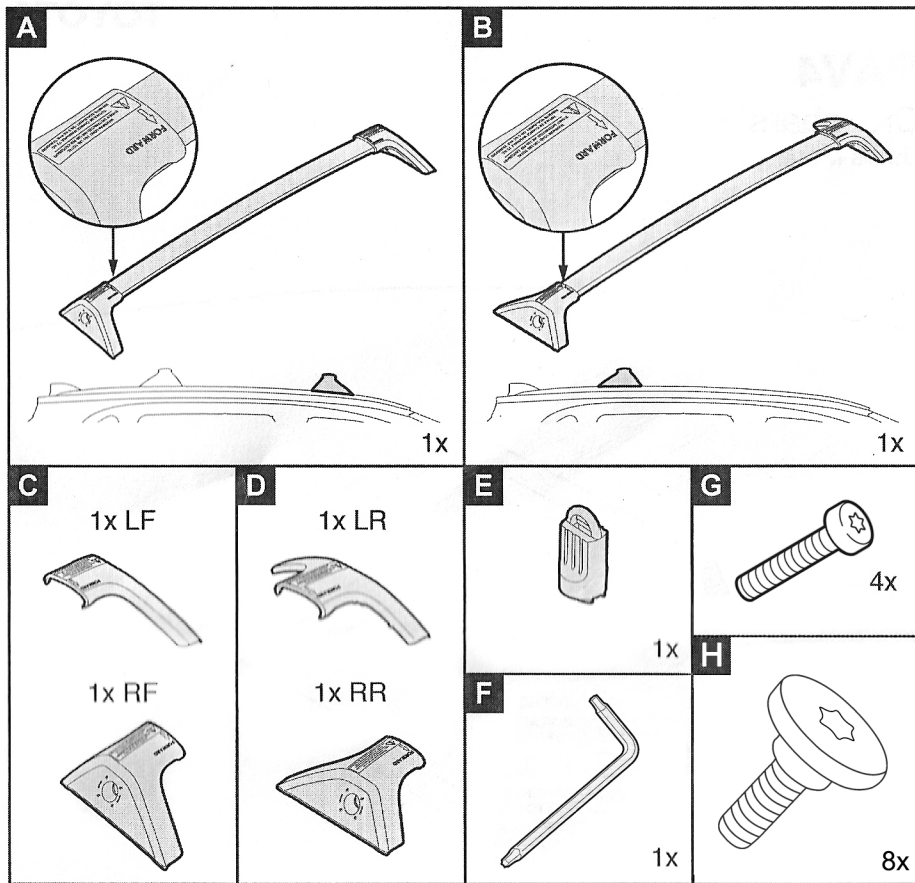


Model year:

2019 -

Maximum System Load Capacity:

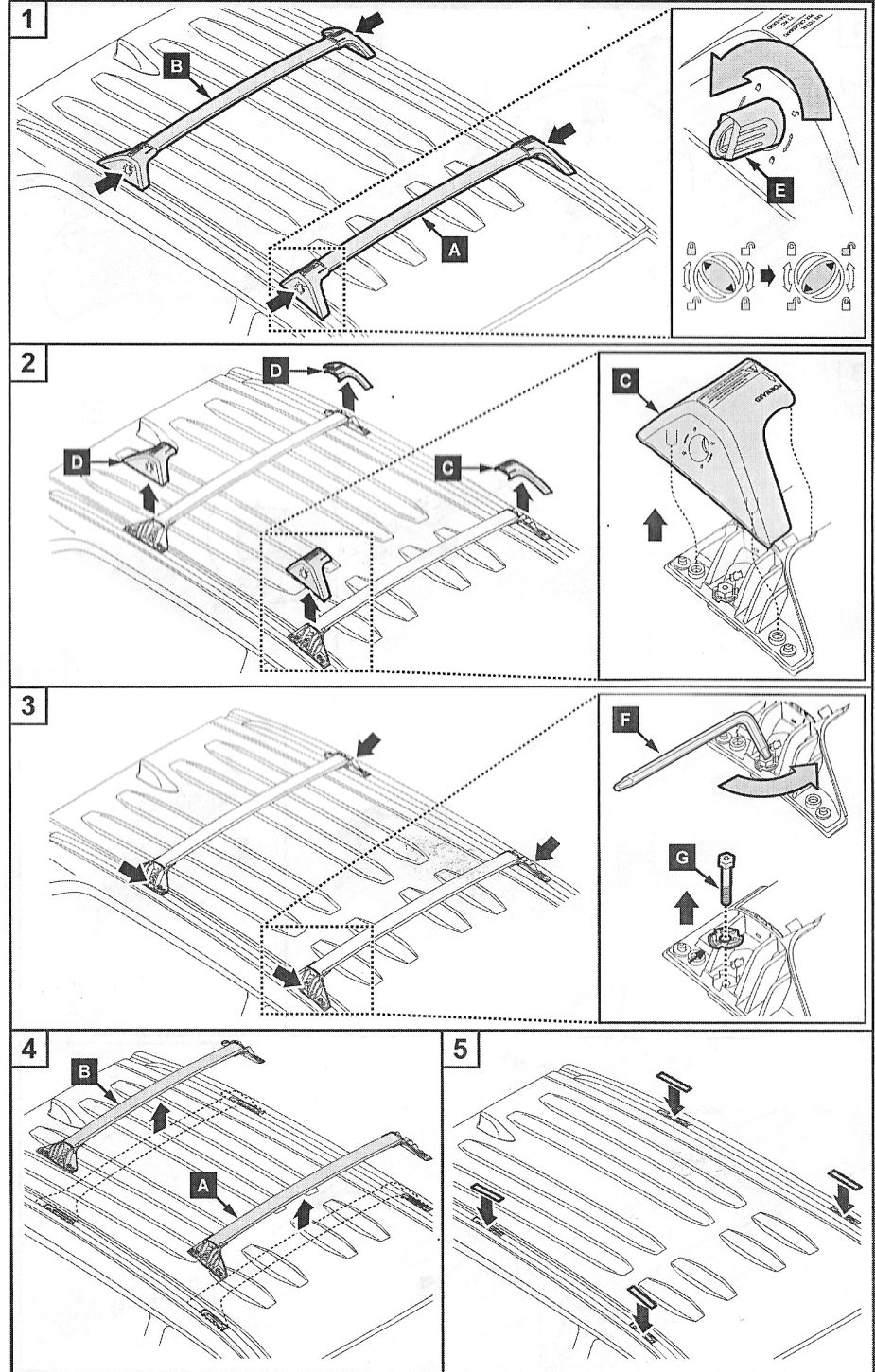
73 kg (160 lbs) total evenly distributed
**36.5 kg (80 lbs) per cross bar*



SAFETY NOTES:

- Never exceed the manufacturer's roof rack load limit (See Page 1). Please consult the owners manual for additional information on cargo carrying.
- Confirm tightness every 600 miles (1,000 km). When driving long distances, on rough roads, or at high speed, periodically check that the load is secure and that the crossbars are securely tightened.
- Carrying a load may change the driving behavior of the vehicle. Ensure that the load is evenly distributed between the two crossbars and that it is as low as possible.
- Ensure that the crossbar is installed in the correct orientation.
- Ensure that the crossbars are fully installed to the side supports with no gaps.

Crossbar Removal



ASSEMBLY DIAGRAM OF 2019 RAV4 CROSSBAR PARTS

