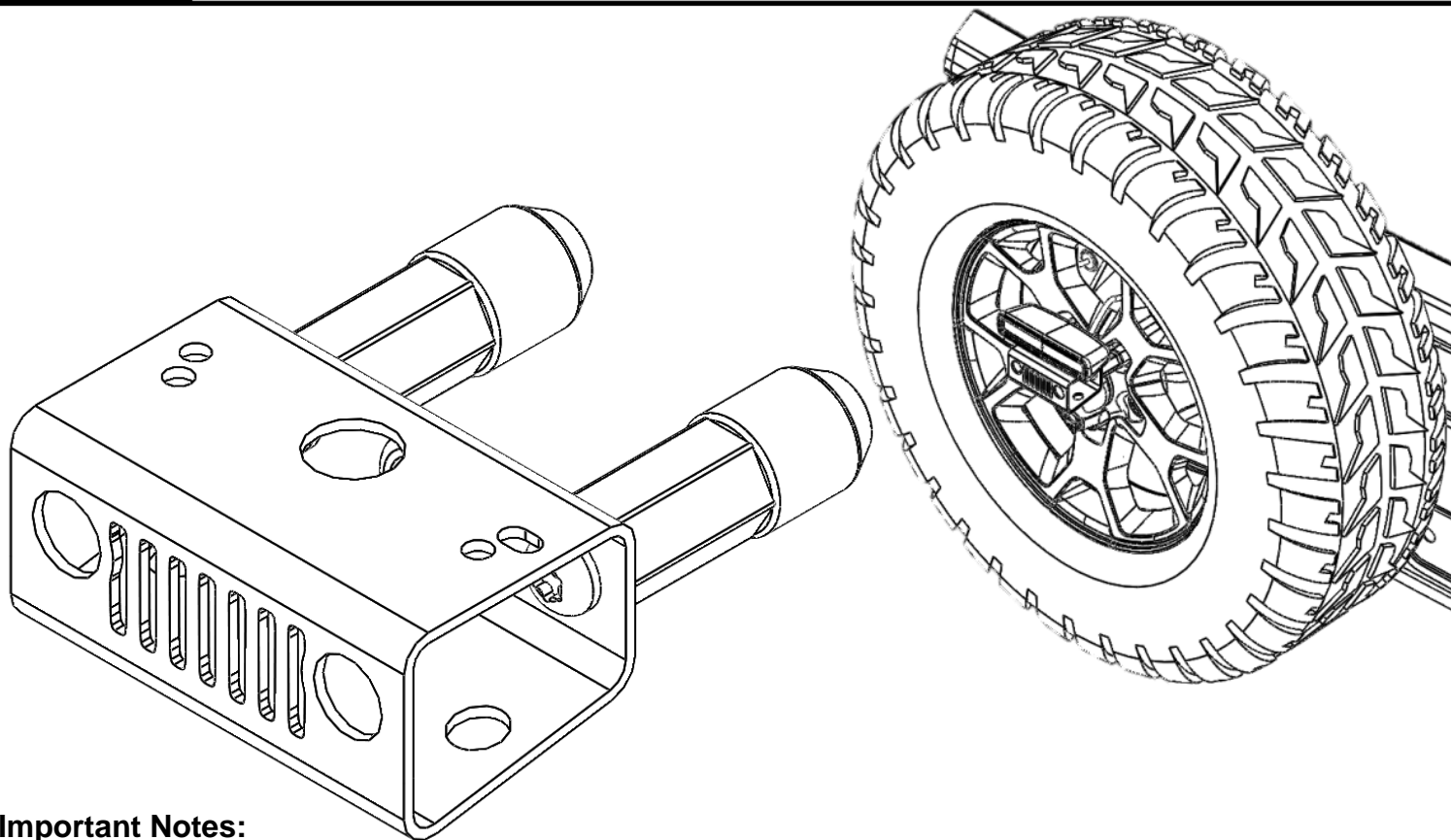




JL CHMSL Relocation Kit

www.mopar.com



Important Notes:

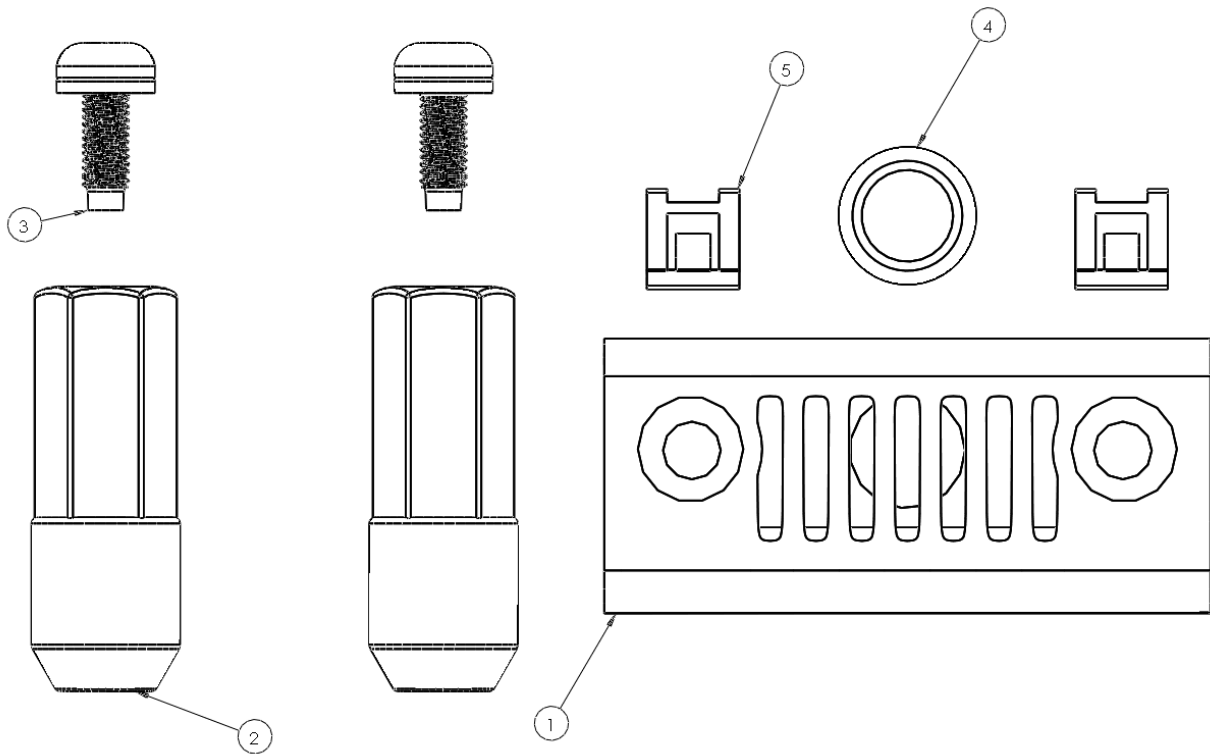
Prior to beginning this or any installation read these instructions to familiarize yourself with the required steps and evaluate if you are experienced and capable to personally perform these modifications. A factory service manual should be used in conjunction with these installation instructions.

Refer to the parts list to ensure that all necessary components and hardware have been included. If any parts are missing please contact your local Jeep dealership for assistance.

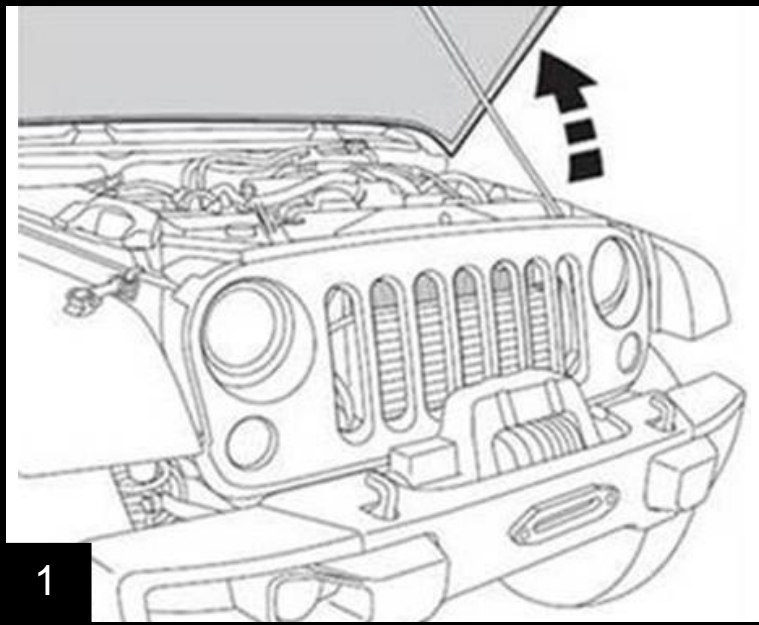
Not compatible with a spare tire cover.

Tools Needed:

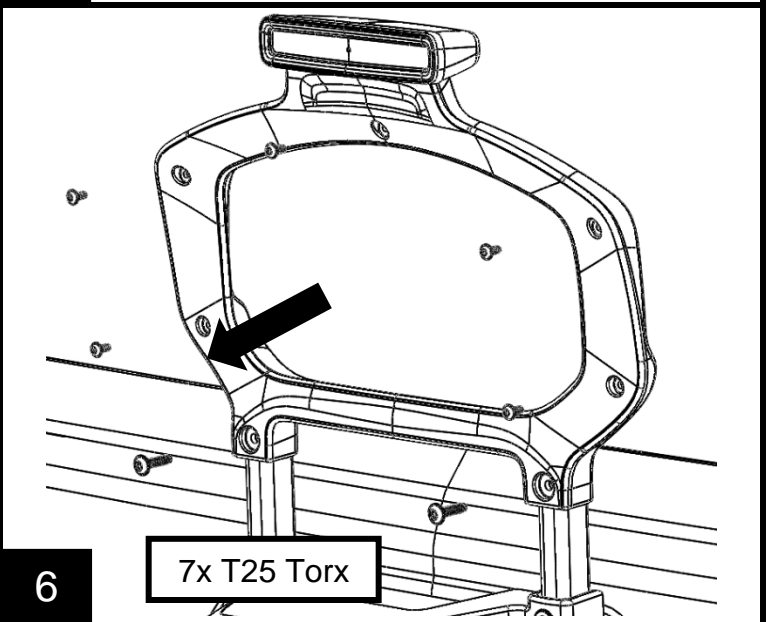
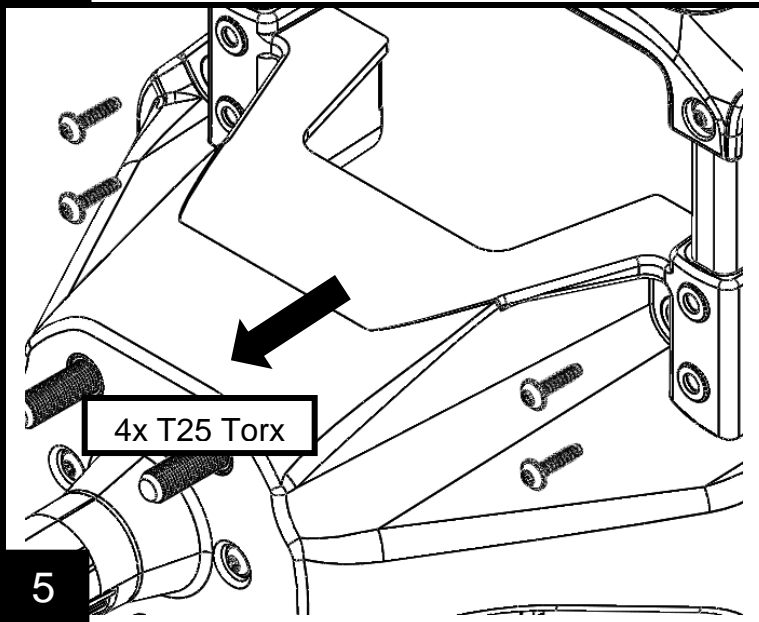
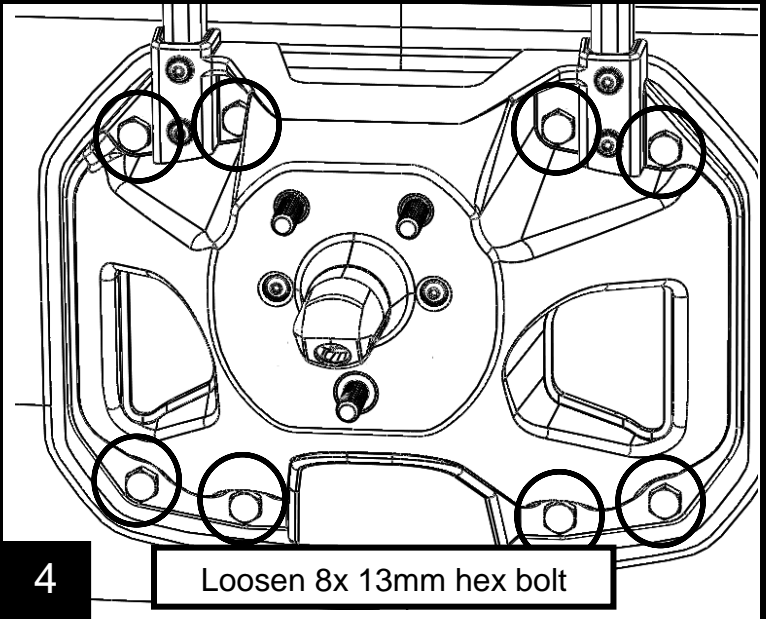
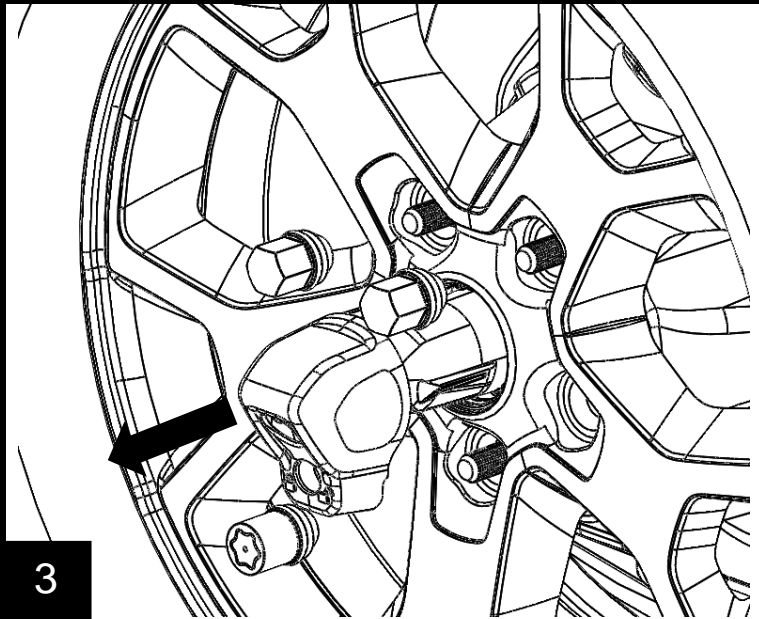
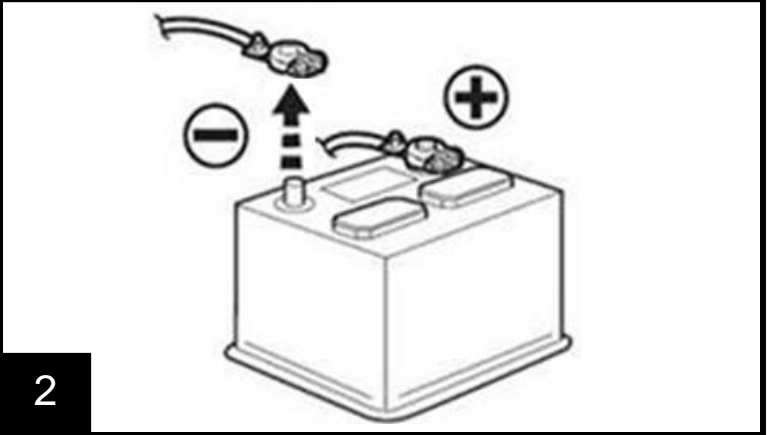
- Lug wrench
- Torque wrench
- Ratcheting wrench
- 13mm Socket
- T25 Torx Head Driver
- T40 Torx Head Driver

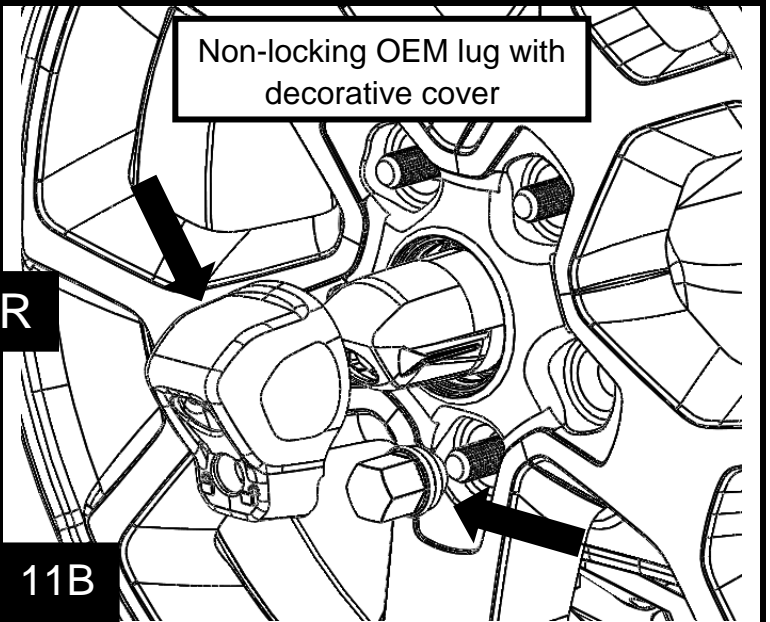
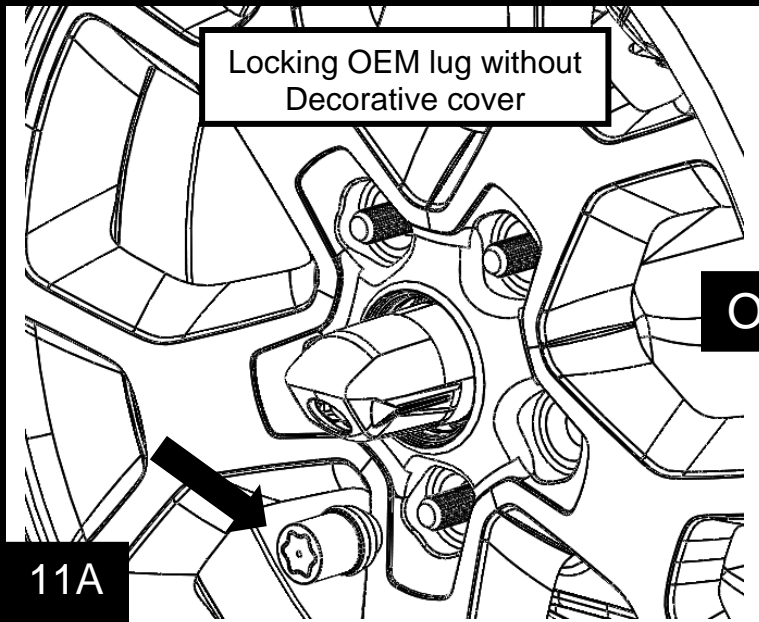
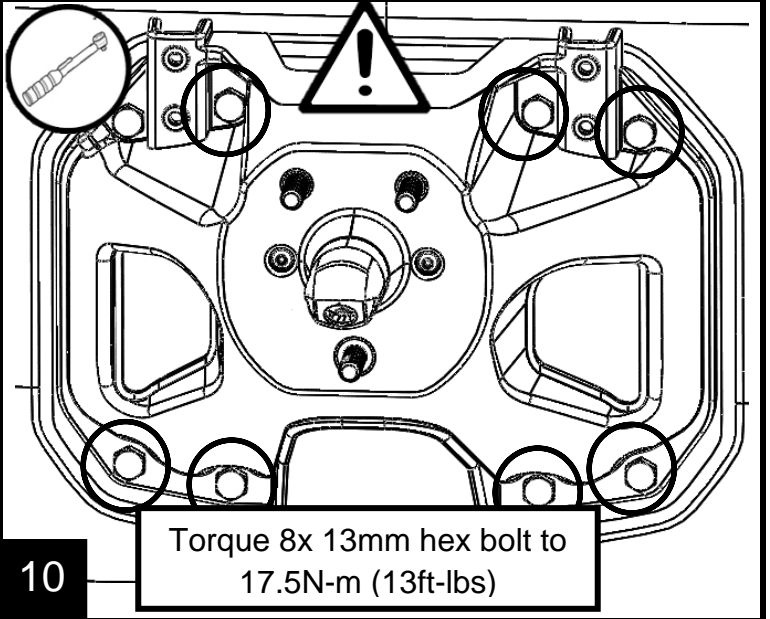
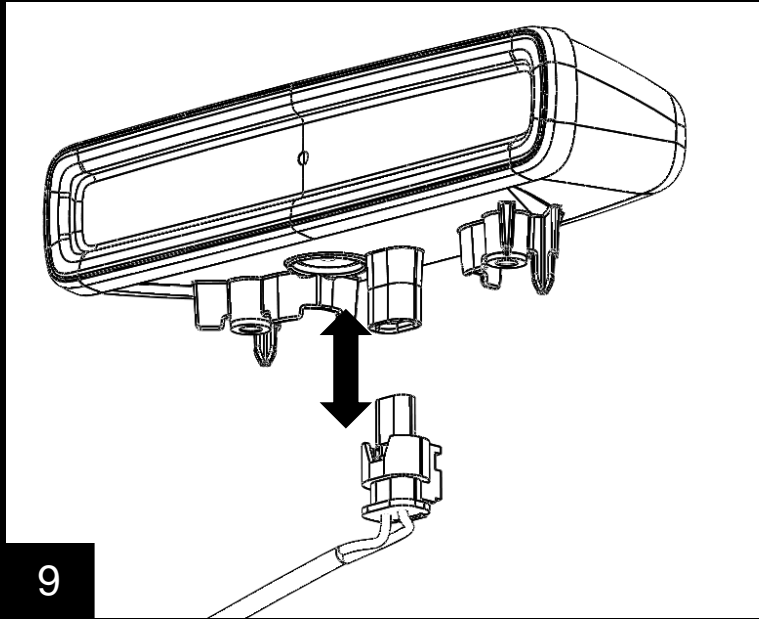
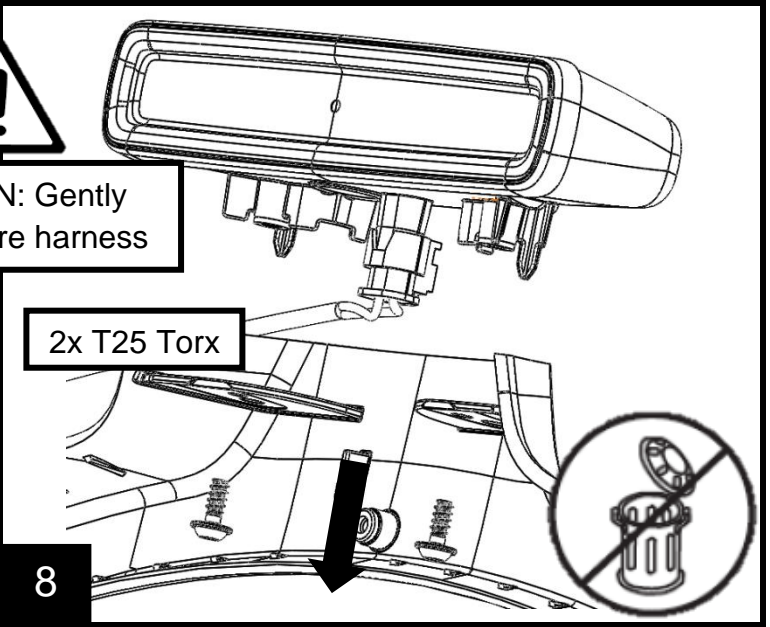
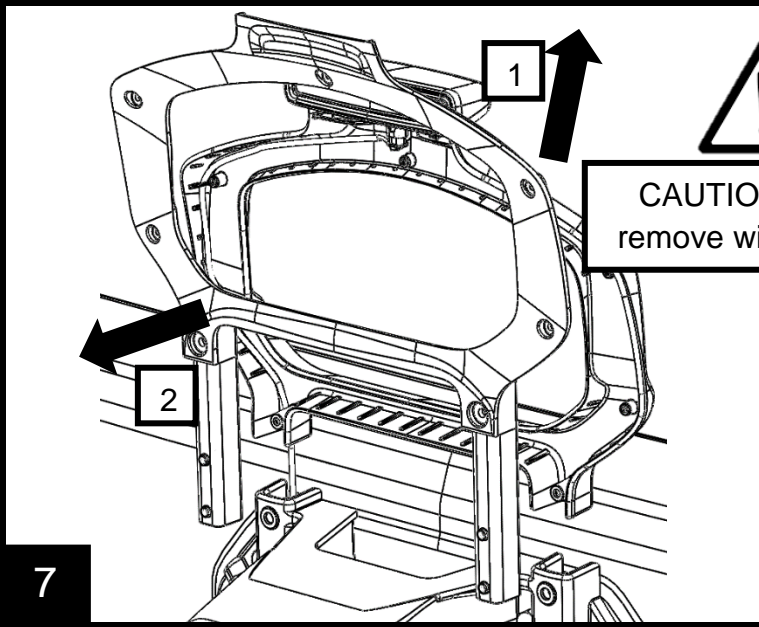


Call Out	Description	Quantity	Supplier Item Number
1	Relocation Bracket	1	B 2442
2	M14/M8 Dual Threaded Lug Bolt	2	PN 1228
3	M8x21.5mm T-40 Torx Head bolt	2	PN 1277
4	.25" Rubber Grommet	1	PN 1229
5	Wire Clip	2	PN 1239

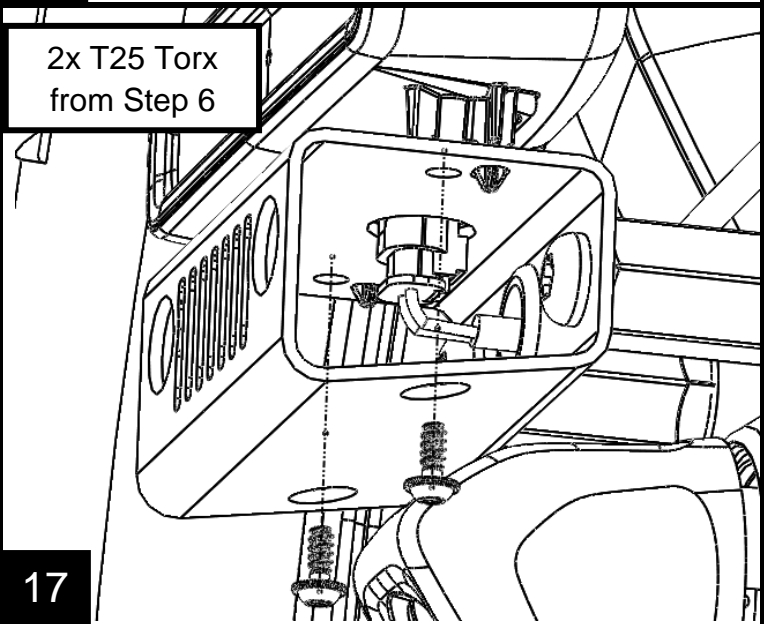
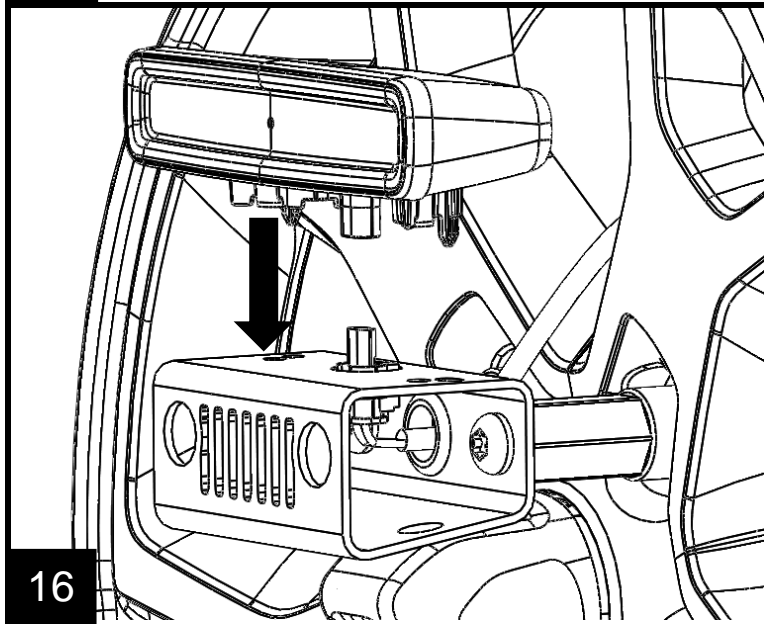
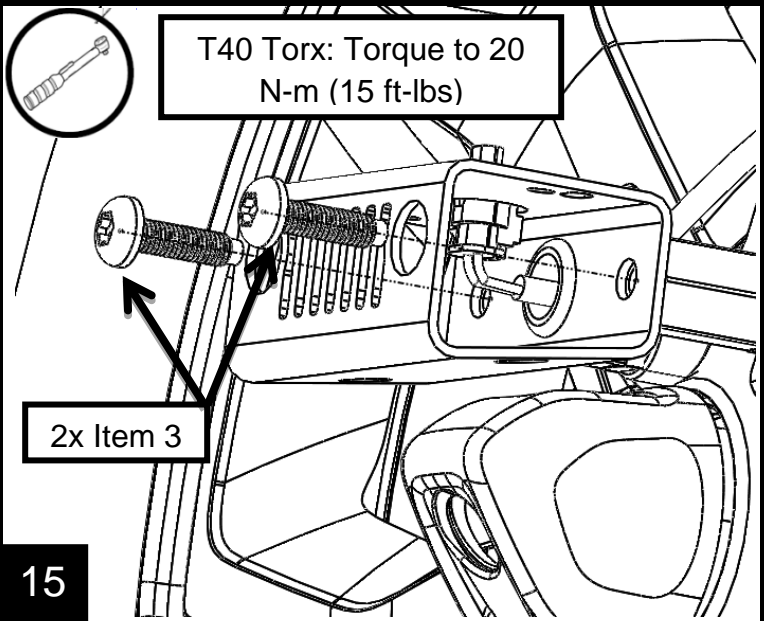
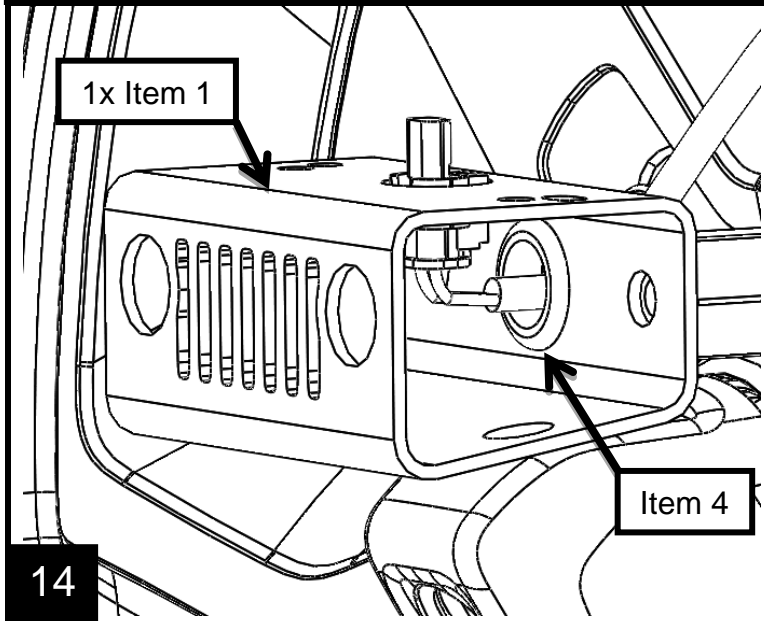
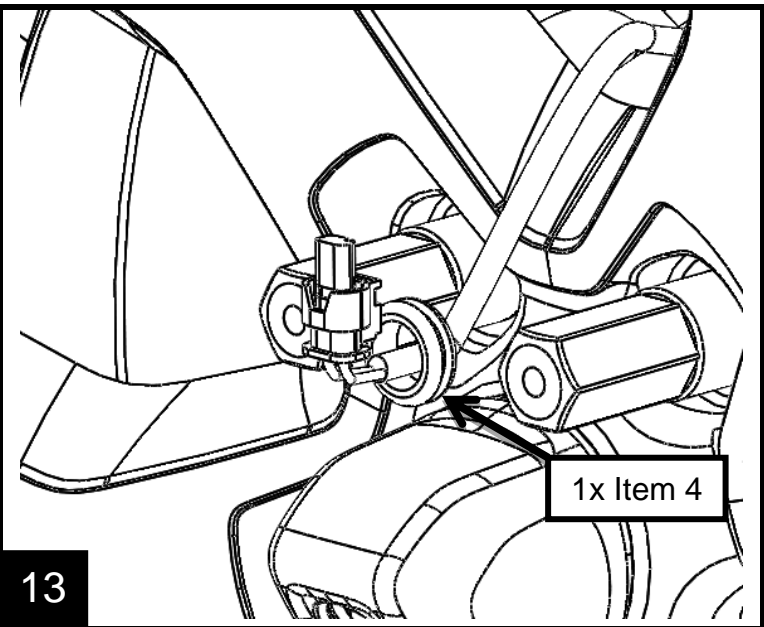
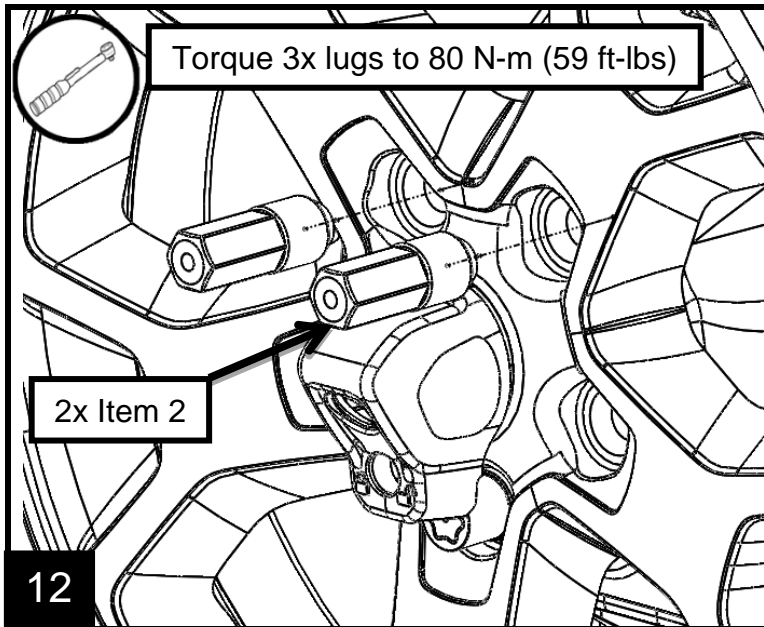


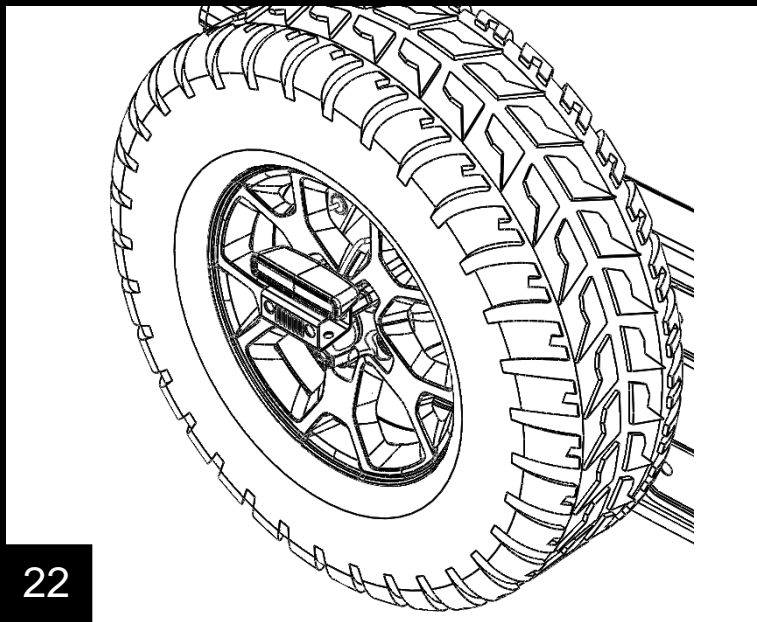
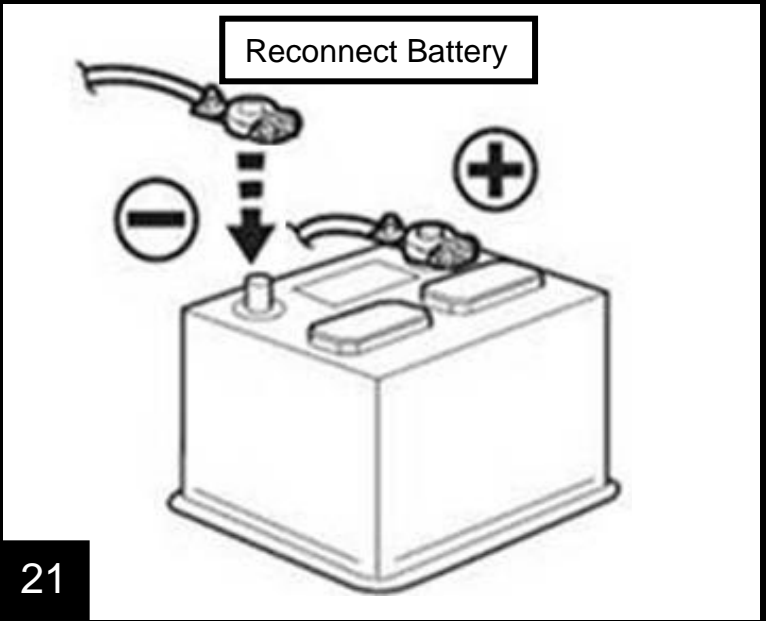
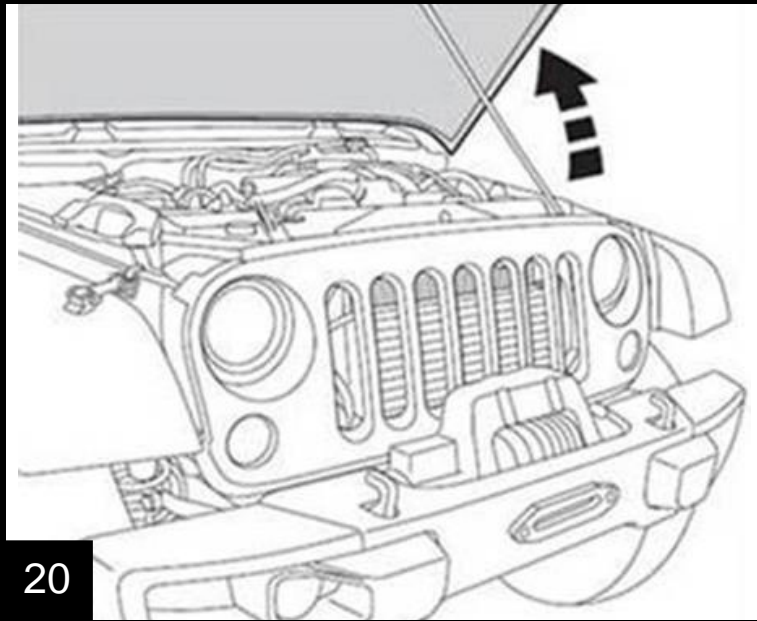
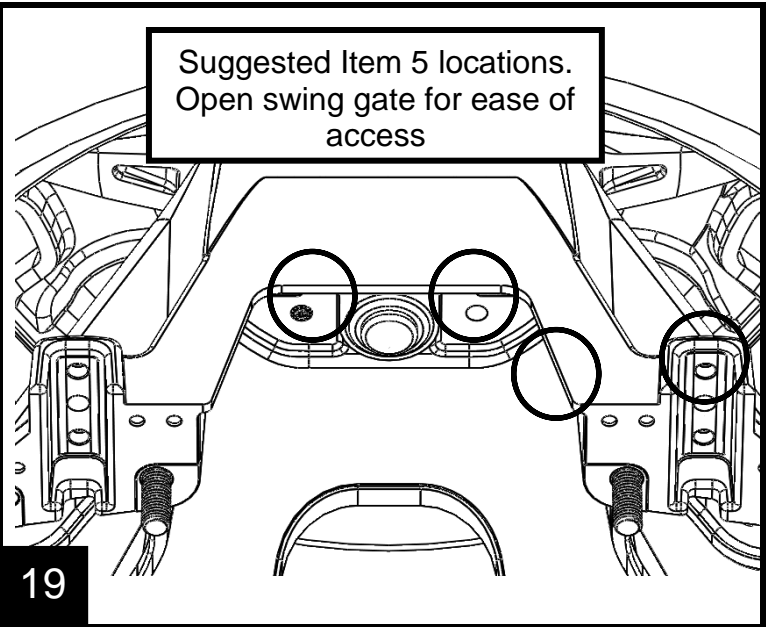
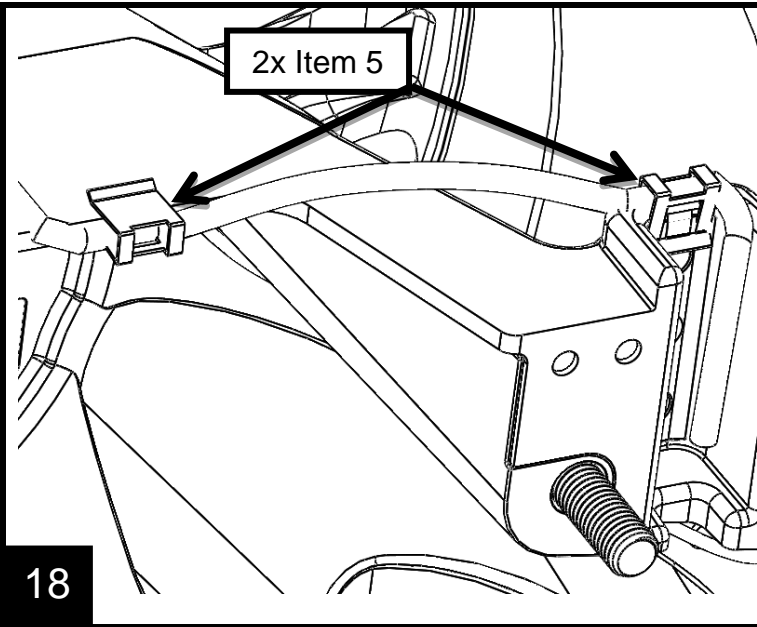
Disconnect battery and retain all fasteners for reinstallation. **Caution:** When disconnecting any electrical items, you may need to clear any warning faults created through the installation.





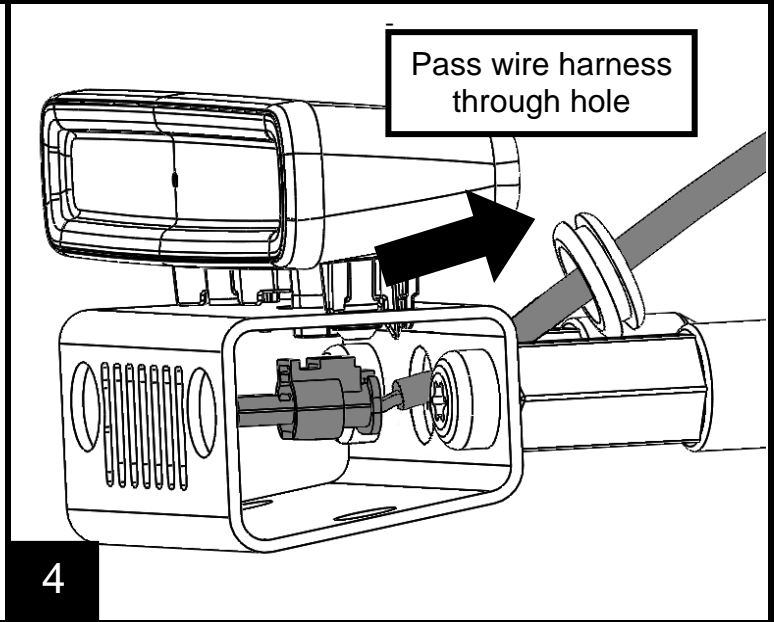
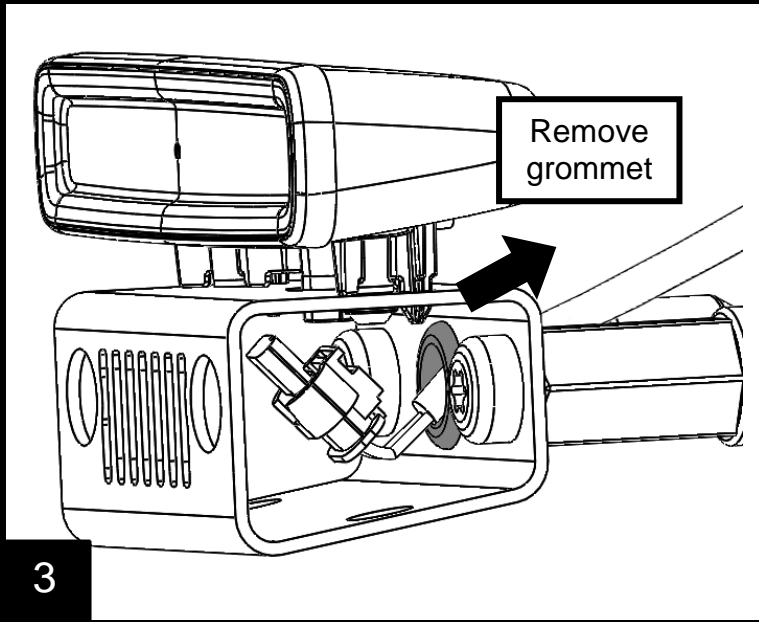
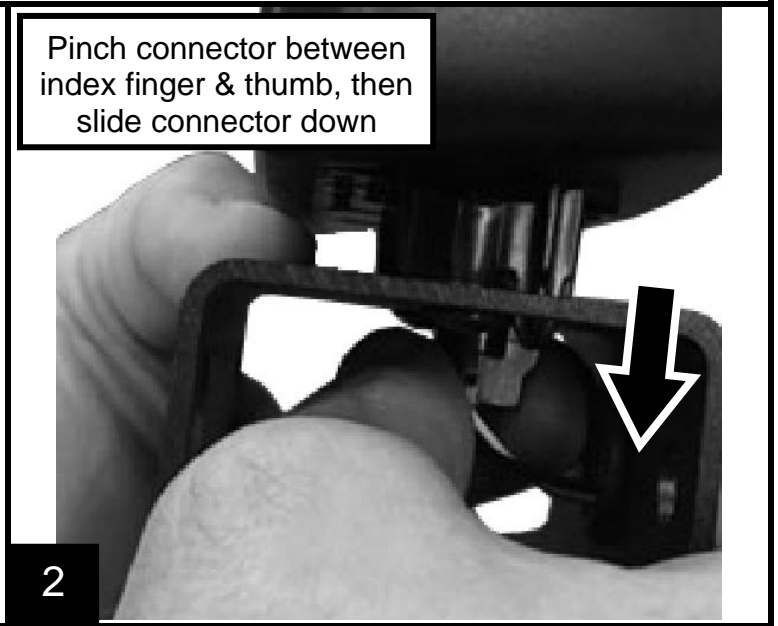
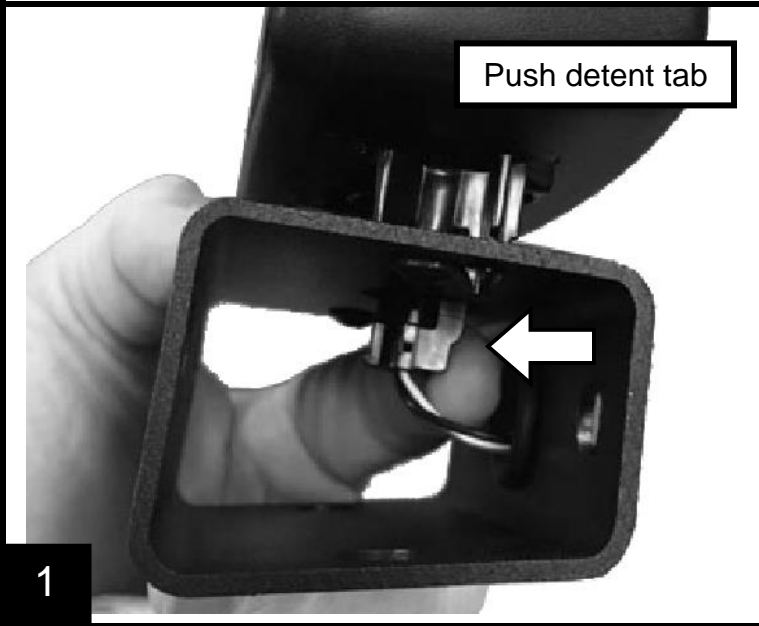
OR





- 23
- Ensure tire is **firmly** pressed against the tire carrier or against the factory tire bumpers on the tailgate before operating the vehicle
 - Fold and place this instruction sheet in the vehicle glove box for future reference
 - For customer service questions, refer to your local Jeep dealership

SERVICE INSTRUCTIONS (also required to remove spare tire)



Document Revision History

Date	Section	Summary of Changes Made	Notes
		Initial Release	
8/2/2018		SERVICE INSTRUCTIONS	