

Installation Guide for Mazda3 PNs 11981, 11981BC



******* Please compare the parts in the box with the bill of materials provided *****
to ensure that you have all the parts necessary for this installation.**

These instructions have been written to help you with the installation of your Borla Performance exhaust system. Please read this document completely before beginning the installation of your system.

To ensure this part number fits your specific model year, please visit our website for the latest model year listings at www.BORLA.com

Thank you for purchasing a Borla Performance Axle-Back™ exhaust system.

Borla Performance Axle-Back™ exhaust system PNs 11970 and 11970BC are designed for the Mazda3 Hatchback, equipped with either a 2.5L inline-4 normally aspirated engine or a 2.5L inline-4 turbo-charged engine, and FWD or AWD automatic or manual transmission.

Borla Performance Axle-Back™ exhaust system PNs 11982 and 11982BC are designed for the Mazda3 Sedan, equipped with a 2.5L inline-4 normally aspirated engine, and FWD or AWD automatic or manual transmission.

Borla Performance Industries recommends that an exhaust shop or professional after market parts installer, who has all the necessary equipment, tools and experienced personnel needed for proper installation, should perform the installation of this system. However, if you decide to perform the installation, we recommend someone should help you. Ensure the installer uses all under car safety precautions including eye protection.

Please take time to read and understand the following...

By installing your Borla Performance exhaust system, you indicate that you have read this document and you agree with the terms stated below.

It is the responsibility of the purchaser to follow all installation instruction guidelines and safety procedures supplied with your Borla Performance exhaust system.

Borla Performance Industries assumes no responsibility for damages occurring from misuse, abuse, improper installation, improper operation, lack of responsible care, or all previously stated reasons resulting from incompatibility with other manufacturer's products and/or systems.

Included with your Borla Performance exhaust system is a warranty card. Please read it carefully before you begin any work on your vehicle. If you should have any questions regarding our warranty policy, installation, or any other matter pertaining to your new Borla Performance exhaust system, please give us a call at the number provided on the warranty card.

Minimum Required Tool List:

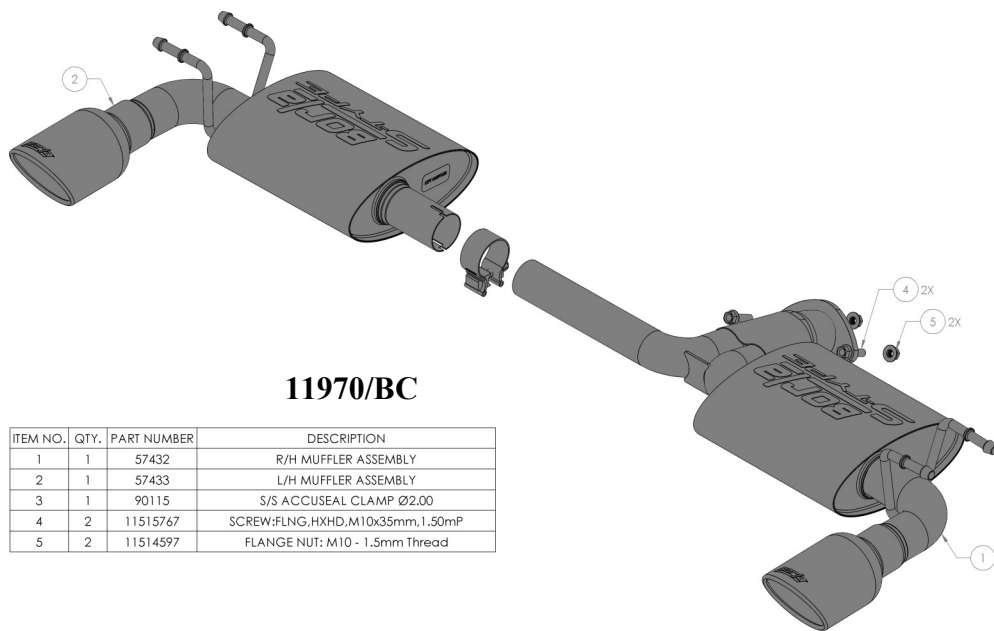
TOOLS:

1. 3/8” drive ratchet
2. 3/8” drive extension 6”
3. 15mm deep well socket
4. 15mm box end wrench
5. Pry bar

SHOP SUPPLIES:

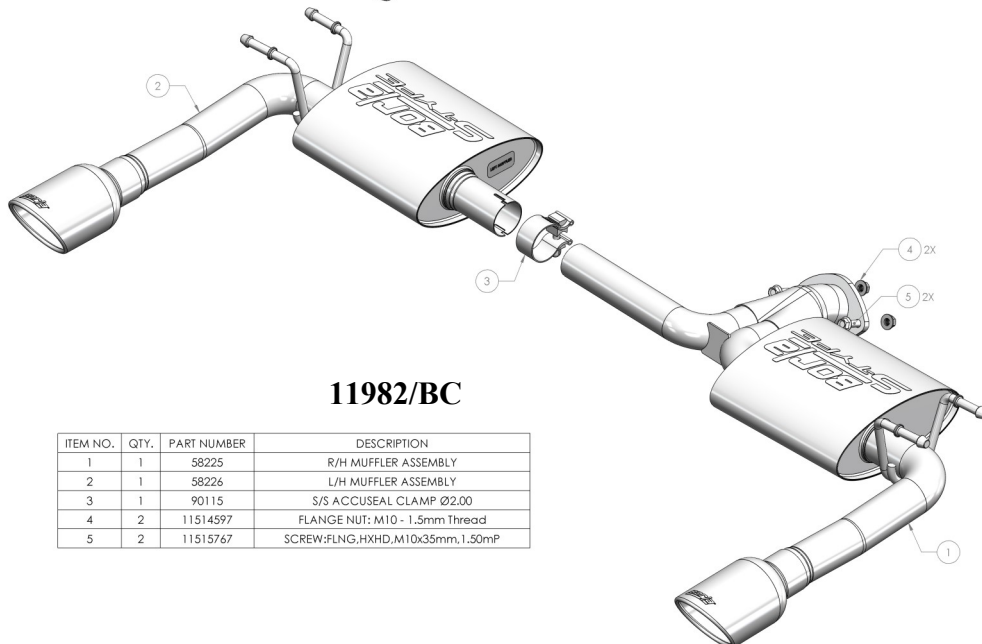
1. Spray lubricant

Borla Performance - Bill of Materials



11970/BC

ITEM NO.	QTY.	PART NUMBER	DESCRIPTION
1	1	57432	R/H MUFFLER ASSEMBLY
2	1	57433	L/H MUFFLER ASSEMBLY
3	1	90115	S/S ACCUSEAL CLAMP Ø2.00
4	2	11515767	SCREW:FLNG,HXHD,M10x35mm,1.50mP
5	2	11514597	FLANGE NUT: M10 - 1.5mm Thread



11982/BC

ITEM NO.	QTY.	PART NUMBER	DESCRIPTION
1	1	58225	R/H MUFFLER ASSEMBLY
2	1	58226	L/H MUFFLER ASSEMBLY
3	1	90115	S/S ACCUSEAL CLAMP Ø2.00
4	2	11514597	FLANGE NUT: M10 - 1.5mm Thread
5	2	11515767	SCREW:FLNG,HXHD,M10x35mm,1.50mP

Caution!!! *Never work on a hot exhaust system. Serious injury in the form of burns can result if the vehicle has been in use and the exhaust system is hot, allow vehicle to cool for at least 1 hour. Always wear eye protection when working under any vehicle.*

Note: *It is our recommendation that you use a hoist or hydraulic lift to facilitate the installation of your new Borla Performance Exhaust System.*

Note: *Taking all under car safety precautions, lift the vehicle using a hoist or hydraulic lift. Once this has been done, you may begin the removal of your old exhaust system from your vehicle.*

Note: *Before removing the original exhaust system from your vehicle, please compare the parts you have received with the bill of materials provided on the previous page to assure that you have all the parts necessary for the installation of your new Borla Performance Exhaust System.*



Note: *With a used vehicle, we suggest a penetrating spray lubricant to be applied liberally to all exhaust fasteners and allowing a significant period of time for the chemical to lubricate the threads before attempting to disassemble.*

Original Exhaust System Removal

1. Lubricate all hangers, rubber isolators, bolts and nuts.
2. Loosen and remove the hardware on the rear muffler assembly flange (Fig. 1).
3. Using a flathead screwdriver or a prybar, remove the rear muffler assembly hangers from their rubber isolators on the vehicle and remove the rear muffler assembly from the vehicle (Fig. 1).
4. Original exhaust removed.

Borla Performance Axle-Back™ Exhaust System Installation

1. Orient the components on shop floor according to Borla bill of materials drawing on page 2.
2. Install **R/H Muffler Assembly** by mating the flange to the vehicle and secure it using the included hardware. Insert the hangers into the original rubber isolators (Figs. 2-4). Do not fully tighten the hardware.
3. Place a clamp over the expanded end of the **L/H Muffler Assembly** and insert the inlet to the **R/H Muffler Assembly**. Insert the hangers into their original rubber isolators (Fig. 5). Do not tighten the clamp.
4. Once position has been determined to be correct, tighten the hardware on the **R/H Muffler Assembly** flange and then tighten the Accuseal clamp to 32-35 ft. lbs. To achieve proper tip alignment, you can loosen the Accuseal clamp to rotate or slide the pipe to make adjustments (Fig. 6).
5. Before starting your vehicle, make sure to check all wires, hoses, brake lines, body parts and tires for safe clearance from the exhaust system.
6. Start the vehicle and check for any leaks. If any leaks are found, determine cause (such as loose or incorrectly positioned clamp) and repair as necessary.



WARNING: Use extreme caution during installation. Torque all fasteners according to manufacturer's torque values and tightening sequence. **DO NOT** use air impact tools to tighten fasteners on Borla Performance Exhaust Systems. Use of such tools may result in bent flanges or gasket contact areas leading to exhaust leaks.

NOTE: When you first start your vehicle after the installation of your new Borla Performance Exhaust System, there may be some smoke and fumes coming from the system. This is a protective oil based coating used in the manufacturing of mandrel bent performance exhaust tubing. This is not a problem and will disappear within a very short period of time after the exhaust has reached normal operating temperatures.