

## Installation Guide for Toyota 4Runner PN 14659



**\*\*\*\*\* Please compare the parts in the box with the bill of materials provided \*\*\*\*\*  
to assure that you have all the parts necessary for this installation.**

These instructions have been written to help you with the installation of your Borla Performance exhaust system. Please read this document completely before beginning the installation of your system.

To ensure this part number fits your specific model year, please visit our website for the latest model year listings at [www.BORLA.com](http://www.BORLA.com)

Thank you for purchasing a Borla Performance Cat-Back™ exhaust system.

Borla Performance Cat-Back™ exhaust systems PN 14659 is designed for the Toyota 4Runner equipped with a 2.7L inline-4 or 3.4L V6 engine, 2 or 4WD, and automatic or manual transmission.

Borla Performance Industries recommends that an exhaust shop or professional after market parts installer, who has all the necessary equipment, tools and experienced personnel needed for proper installation, should perform the installation of this system. However, if you decide to perform the installation, we recommend someone should help you. Ensure the installer uses all under car safety precautions including eye protection.

*Please take time to read and understand the following...*

By installing your Borla Performance exhaust system, you indicate that you have read this document and you agree with the terms stated below.

It is the responsibility of the purchaser to follow all installation instruction guidelines and safety procedures supplied with your Borla Performance exhaust system.

Borla Performance Industries assumes no responsibility for damages occurring from misuse, abuse, improper installation, improper operation, lack of responsible care, or all previously stated reasons resulting from incompatibility with other manufacturer's products and/or systems.

Included with your Borla Performance exhaust system is a warranty card. Please read it carefully before you begin any work on your vehicle. If you should have any questions regarding our warranty policy, installation, or any other matter pertaining to your new Borla Performance exhaust system, please give us a call at the number provided on the warranty card.

**Minimum Required Tool List:**

**TOOLS:**

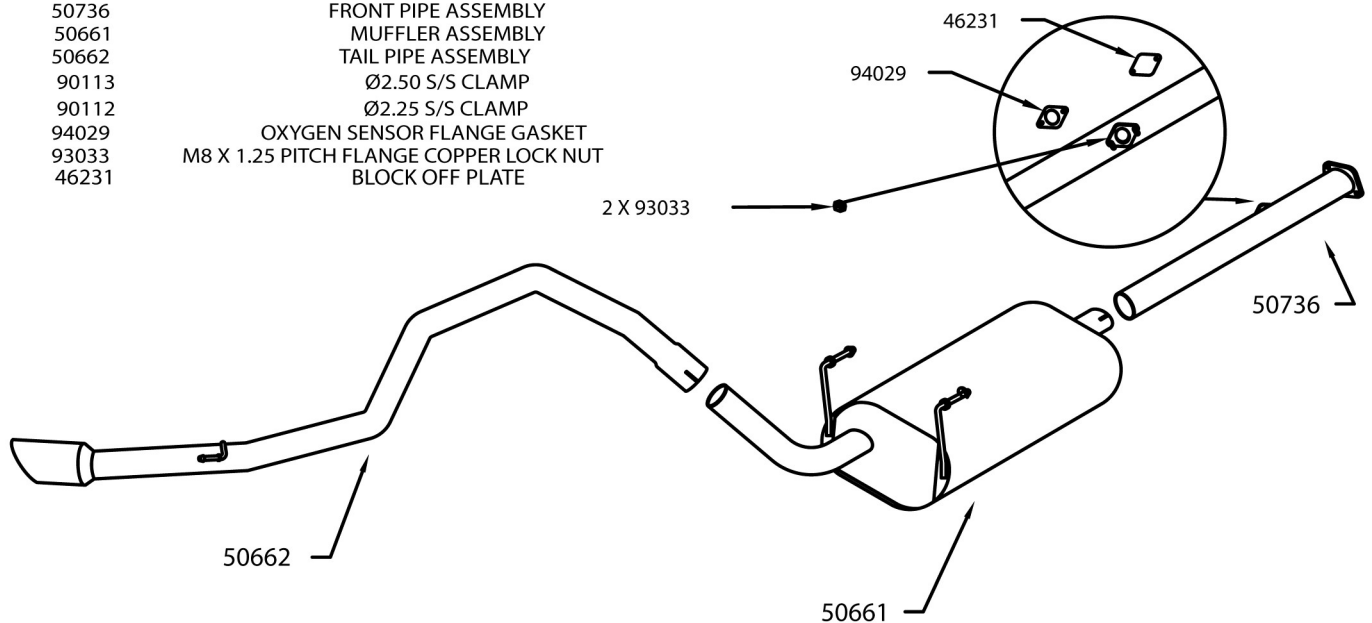
1. 3/8" drive ratchet
2. 3/8" drive extension 6"
3. 15mm deep well socket
4. 13mm deep well socket
5. Flat-blade screwdriver or Prybar
6. Reciprocating saw with metal cutting blade
7. Tape measure

**SHOP SUPPLIES:**

1. Spray lubricant

**14659**

QTY.	PART NO.	DESCRIPTION
1	50736	FRONT PIPE ASSEMBLY
1	50661	MUFFLER ASSEMBLY
1	50662	TAIL PIPE ASSEMBLY
1	90113	Ø2.50 S/S CLAMP
1	90112	Ø2.25 S/S CLAMP
1	94029	OXYGEN SENSOR FLANGE GASKET
2	93033	M8 X 1.25 PITCH FLANGE COPPER LOCK NUT
1	46231	BLOCK OFF PLATE



**Caution!!!** *Never work on a hot exhaust system. Serious injury in the form of burns can result if the vehicle has been in use and the exhaust system is hot, allow vehicle to cool for at least 1 hour. Always wear eye protection when working under any vehicle.*

**Note:** *It is our recommendation that you use a hoist or hydraulic lift to facilitate the installation of your new Borla Performance Exhaust System.*

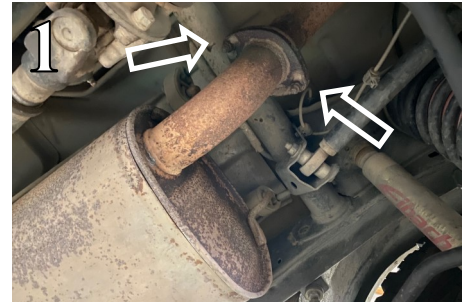
**Taking all under car safety precautions, lift the vehicle using a hoist or hydraulic lift. Once this has been done, you may begin the removal of your old exhaust system from your vehicle.**

**Note:** *Before removing the original exhaust system from your vehicle, please compare the parts you have received with the bill of materials provided on the previous page to assure that you have all the parts necessary for the installation of your new Borla Performance Exhaust System.*

**Note:** *With a used vehicle, we suggest a penetrating spray lubricant to be applied liberally to all exhaust fasteners and allowing a significant period of time for the chemical to lubricate the threads before attempting to disassemble.*

## Original Exhaust System Removal

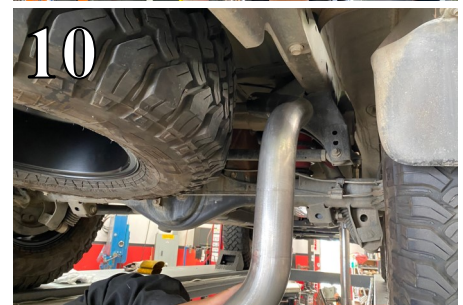
1. Lubricate all hangers, rubber isolators, bolts and nuts.
2. Loosen and remove the hardware on the flange connecting the tailpipe to the rear of the muffler assembly (Fig. 1).
3. Using a flathead screwdriver or a prybar, remove the tailpipe hanger from its rubber isolator (Fig. 2).
4. Remove the tailpipe from the vehicle by moving it out of the rear of the vehicle and over the axle (Fig. 3).
5. Loosen and remove the hardware on the flange connecting the muffler assembly to the vehicle (Fig. 4). You will reuse this hardware during installation.
6. **Not pictured:** On vehicles before 2001 or without the California emissions exhaust, the second O2 sensor will be located on the inlet to the muffler assembly. You will need to remove the sensor and install it onto your Borla system.
7. Using a flathead screwdriver or a prybar, remove the muffler assembly hangers from their rubber isolators and carefully remove the muffler assembly (Fig. 5).
8. Original exhaust system removed.





## Borla Performance Cat-Back™ Exhaust System Installation

1. Orient components on shop floor according to Borla bill of materials drawing on page 2.
2. Install the **Front Pipe Assembly** to the flange on the vehicle by reusing the original hardware (Fig. 6). Using the provided gasket and hardware install the original O2 sensor onto the **Front Pipe Assembly**. Do not tighten completely.
3. If installing on vehicles after 2000 or with the California emissions exhaust, you will need to cut the **Front Pipe Assembly** so that the overall length from the front of the flange to the end of the assembly measures 14 3/8" (Fig. 7). You will then need to use the provided gasket, block off plate, and hardware to plug the unneeded O2 sensor flange (Fig. 8).
4. Place a clamp over the expanded end of the **Muffler Assembly** and insert the inlet to the **Front Pipe Assembly**. Insert the hangers into their original rubber isolators (Fig. 9). Do not tighten the clamp.
5. Place a clamp over the expanded end of the **Tail Pipe Assembly** and insert the inlet to the **Muffler Assembly**. Insert the hanger into the original rubber isolator (Figs. 10-11). Do not tighten the clamp.
6. Once position has been determined to be correct, tighten the Accuseal clamps to 32-35 ft. lbs.
7. Before starting your vehicle, make sure to check all wires, hoses, brake lines, body parts and tires for safe clearance from the exhaust system.
8. Start the vehicle and check for any leaks. If any leaks are found, determine cause (such as loose or incorrectly positioned clamp) and repair as necessary.



**WARNING:** Use extreme caution during installation. Torque all fasteners according to manufacturer's torque values and tightening sequence. **DO NOT** use air impact tools to tighten fasteners on Borla Performance Exhaust Systems. Use of such tools may result in bent flanges or gasket contact areas leading to exhaust leaks.

**NOTE:** When you first start your vehicle after the installation of your new Borla Performance Exhaust System, there may be some smoke and fumes coming from the system. This is a protective oil based coating used in the manufacturing of mandrel bent performance exhaust tubing. This is not a problem and will disappear within a very short period of time after the exhaust has reached normal operating temperatures.